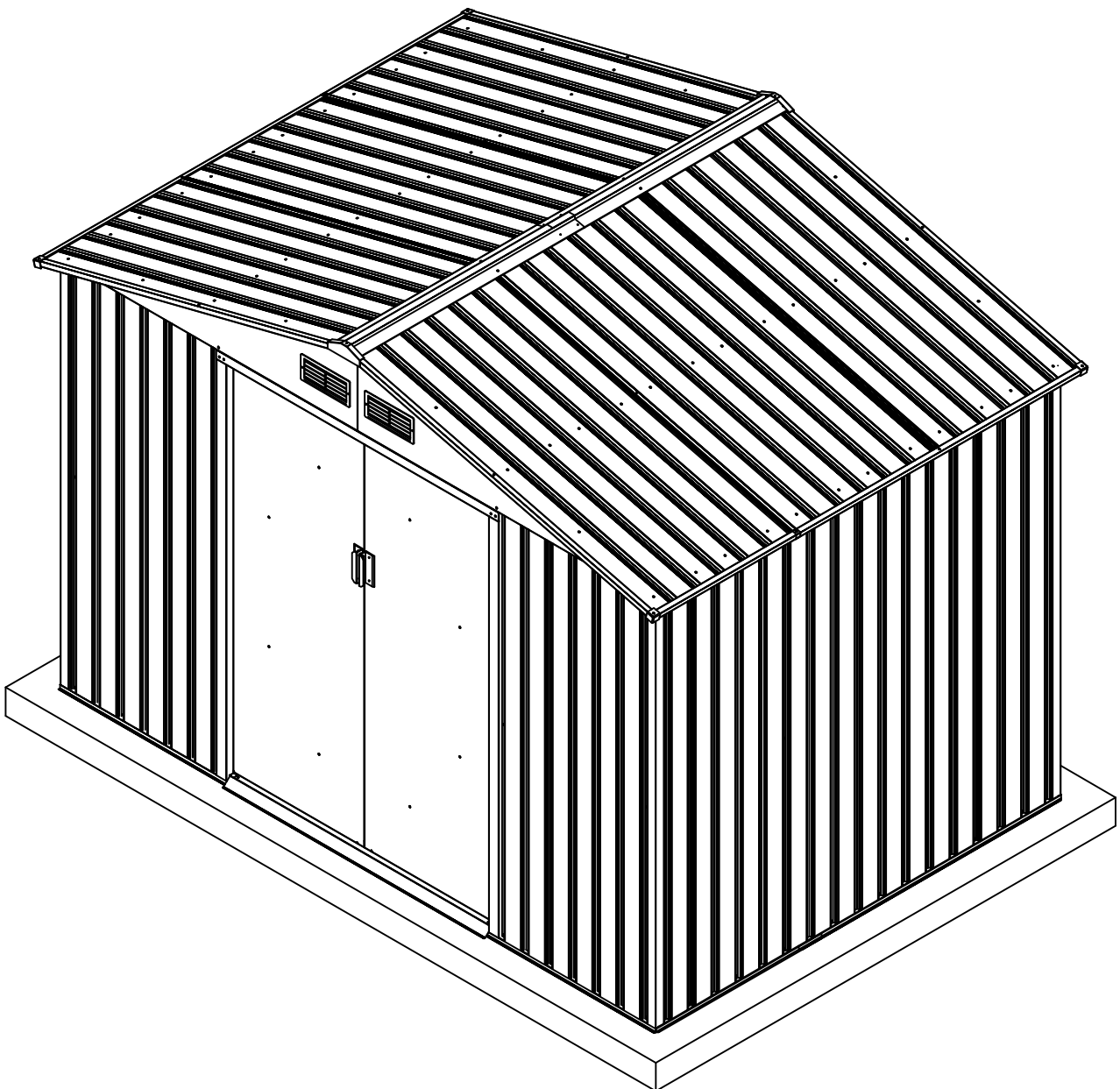


Metal Shed

5/09/2017

OWNER'S MANUAL / Instructions for Assembly Archer-C



Requires two people and takes 2-3 hours for Installation.

Assembly Preparation

Owner's Manual

Please check local building codes regarding footings, location and other requirements before beginning construction.

Assembly instructions:

Reviewing all instructions and the appropriate information before you begin, make sure following the step sequence carefully for successful results.

Flooring base:

A good location for the storage building is a square and level area with good drainage. The base is not included in the kit which may need purchase separately or may construct a foundation and anchoring system of your own. The foundation base should be 10 cm larger than the base rail of the shed (minimum 10cm thickness concrete slab is recommended).

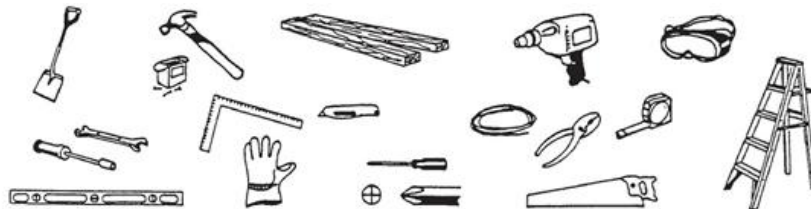
A strong plastic sheet (thickness: at least 150µm) should be placed under the foundation to assist in reducing rising dampness from the soil, thus reducing condensation build up in the shed. Your storage building must be anchored to prevent wind damage.

Parts and Parts List:

Before you start, check to be sure that you have all the necessary parts for your building (refer to the Parts List Page). Do not attempt to assemble the building if parts are missing because any building left partially assembled may be seriously damaged by light winds.

Please tear off the safety protection layer before assembly, keep the part number label if needed.

Tools you need:



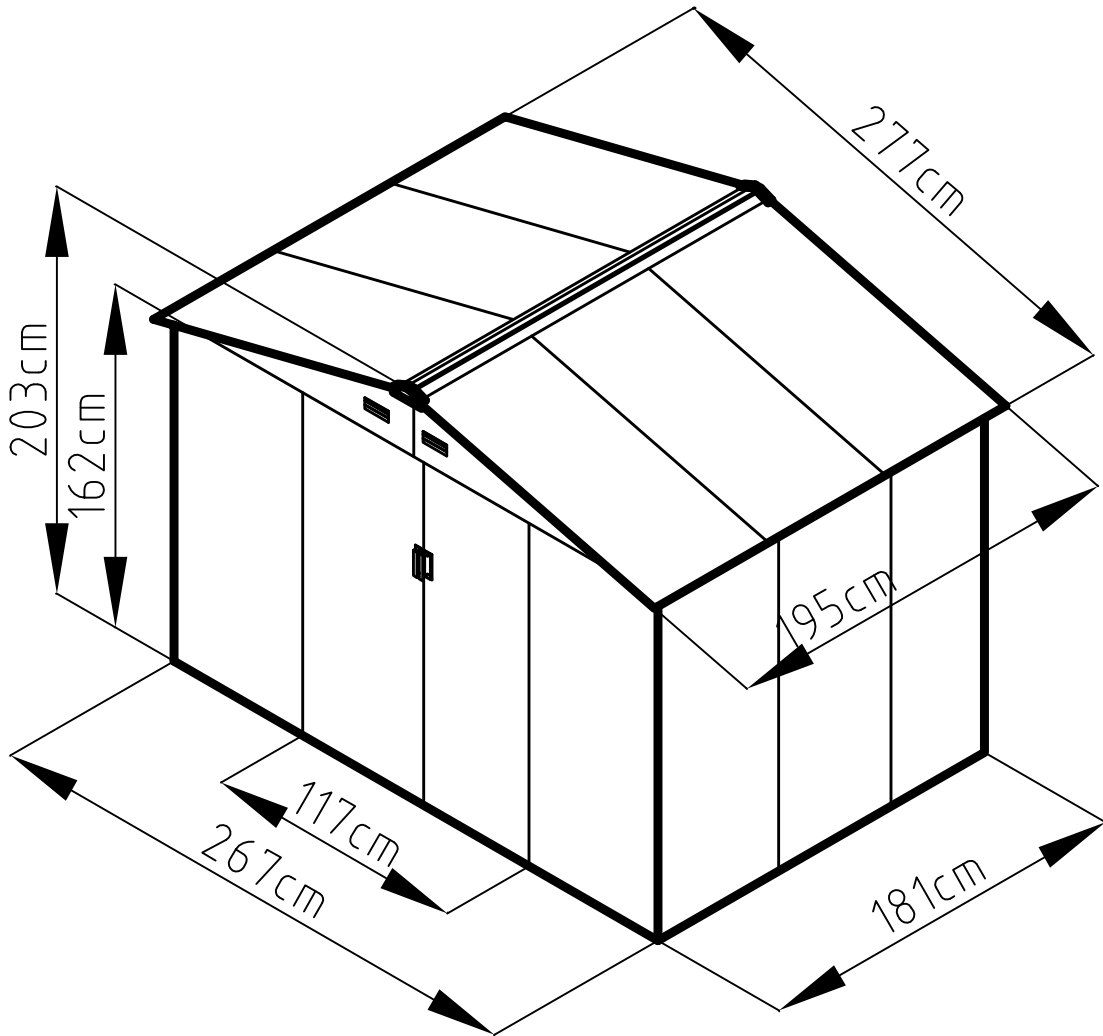
Safety must be put in the No. 1 position:

1. Select a dry and calm day for your assembly. Team works (Two or more people) are required during the assembly. It is also recommended to finish the assembly in a day to avoid damage to the product or missing of some small parts. Keep all small parts (screws etc.) in a bowl so they do not get lost.
2. Wearing safety gloves, eye protection and long sleeves during the assembly to prevent injury. Pay attention to the sharp edge of some parts.
3. Children and pets are not allowed entering into the construction site.
4. Never concentrate your total weight on the roof of the building. When using a step ladder make sure that it is safe.

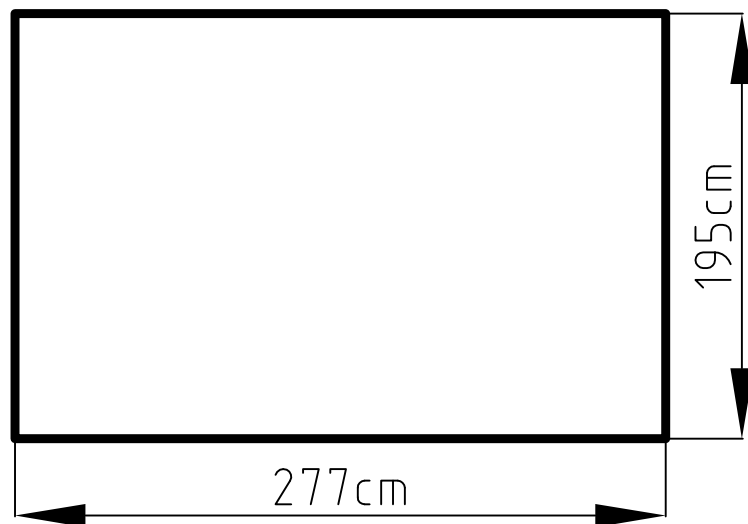
Care & Maintenance:

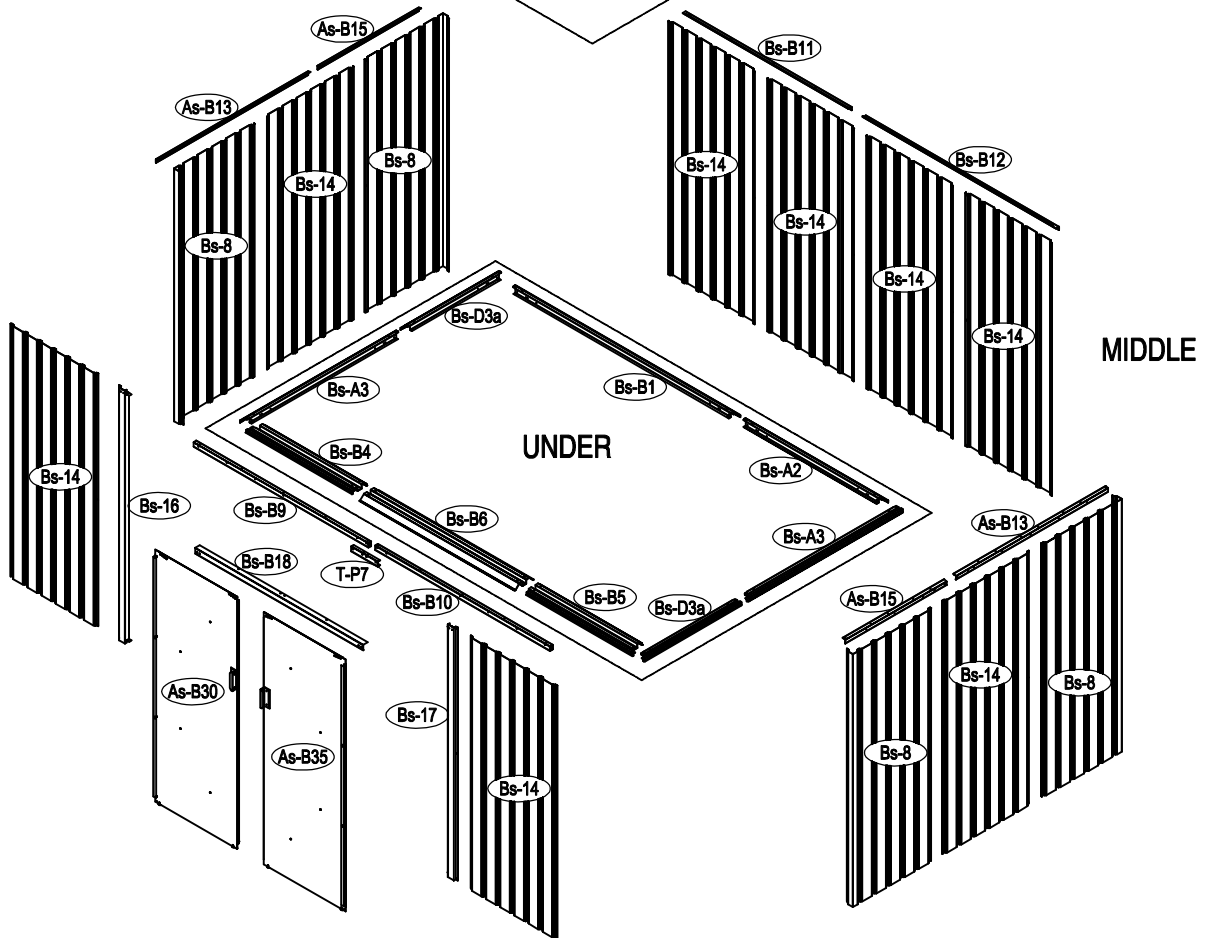
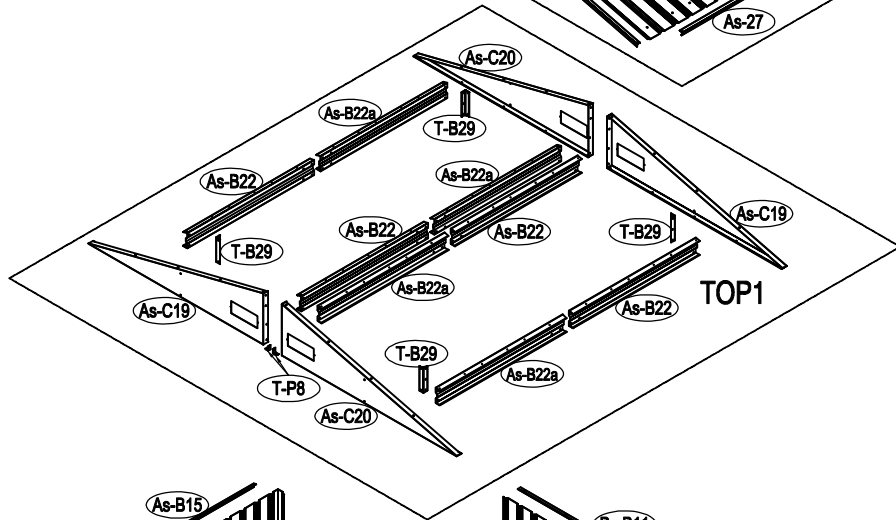
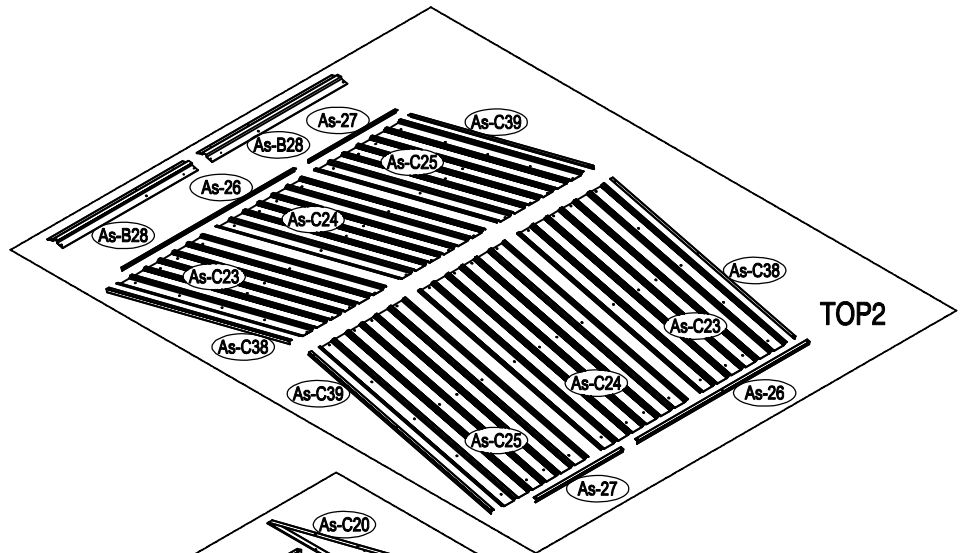
1. Keep the shed clean with soft cloth, use water if necessary.
2. Keep the door tracks clear of dirt and other stuff that prevent them from sliding easily.
3. Clean the snow timely with necessary tools to make sure it is safe to enter into.
4. The shed is not made for living but storing stuff.
5. Please add some oil on the top and bottom door sliding channel to make door slides smoothly.

Size of Archer-C:

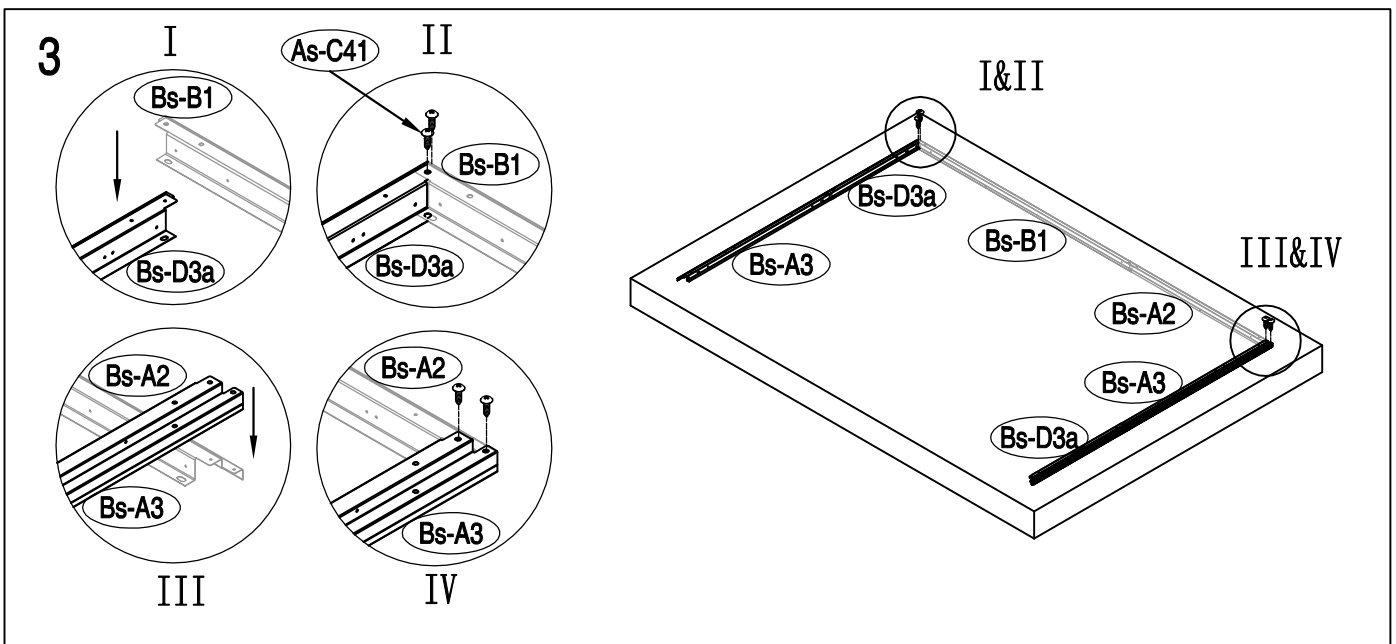
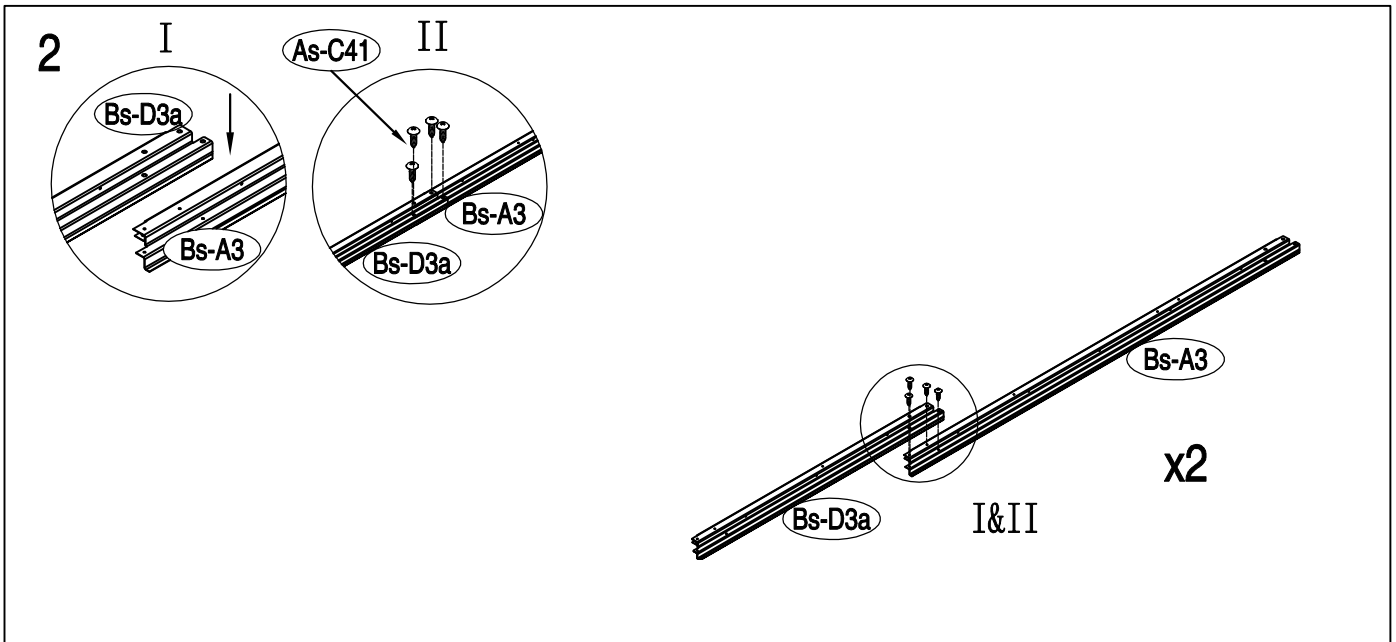
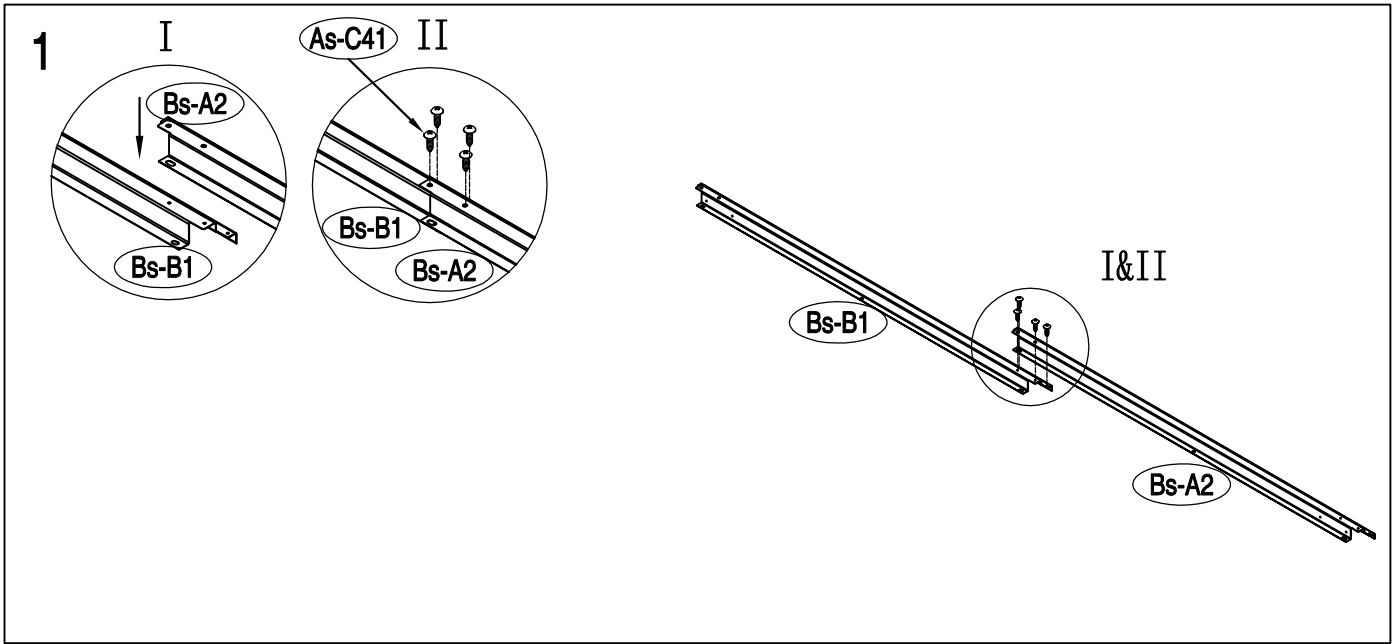


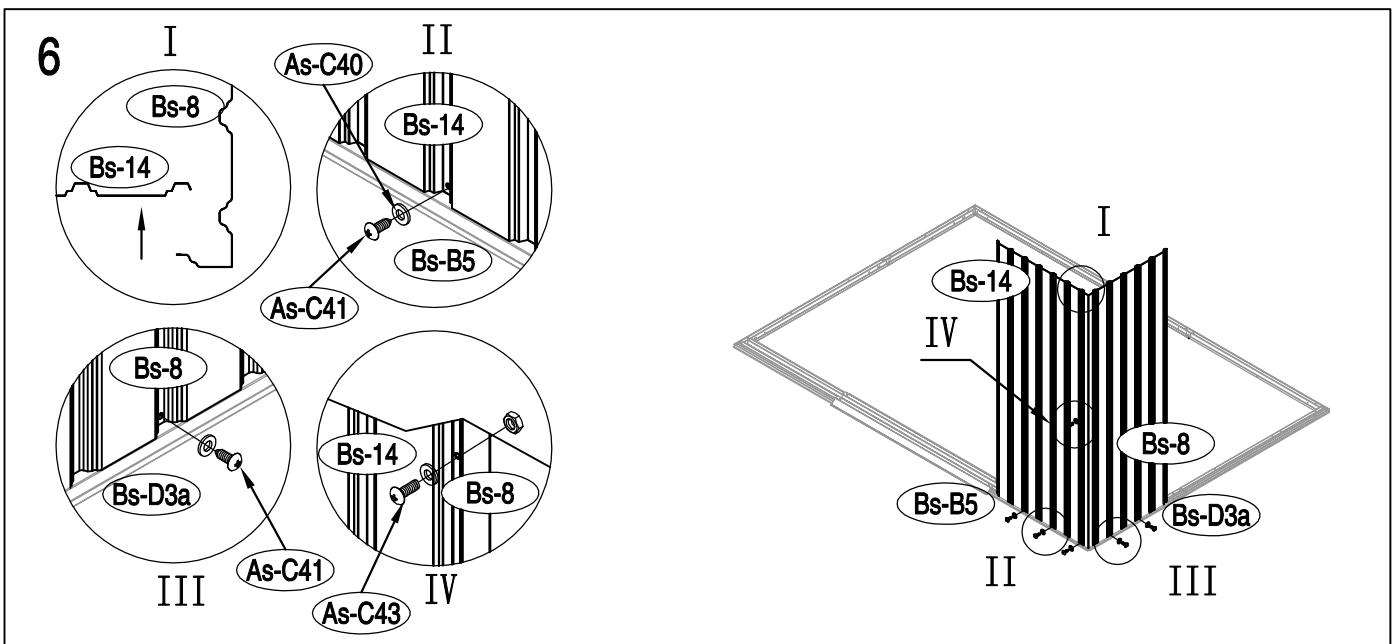
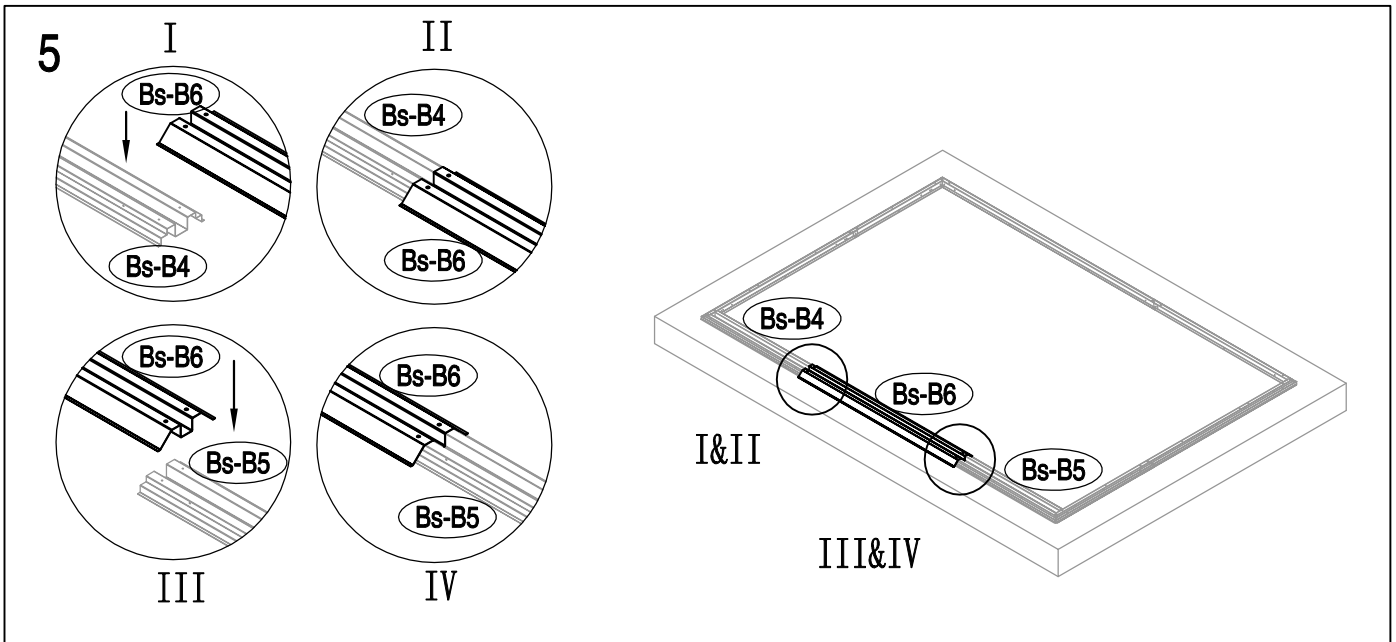
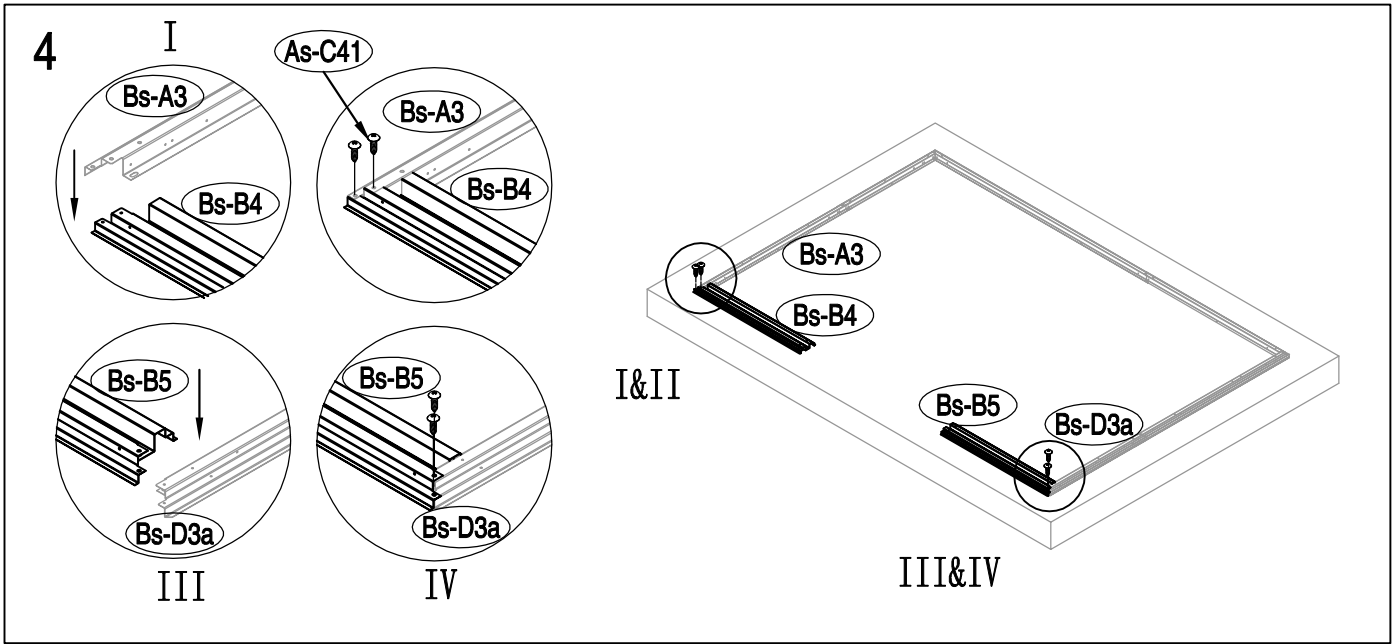
Area of installation requirement:

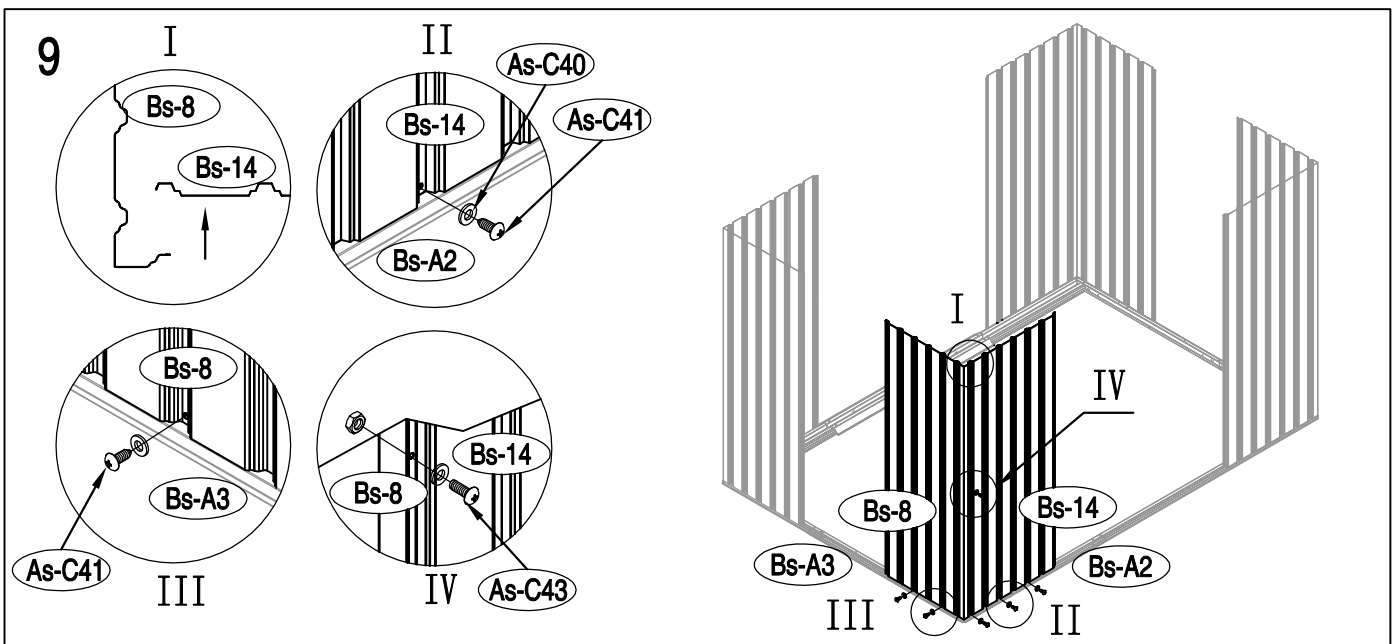
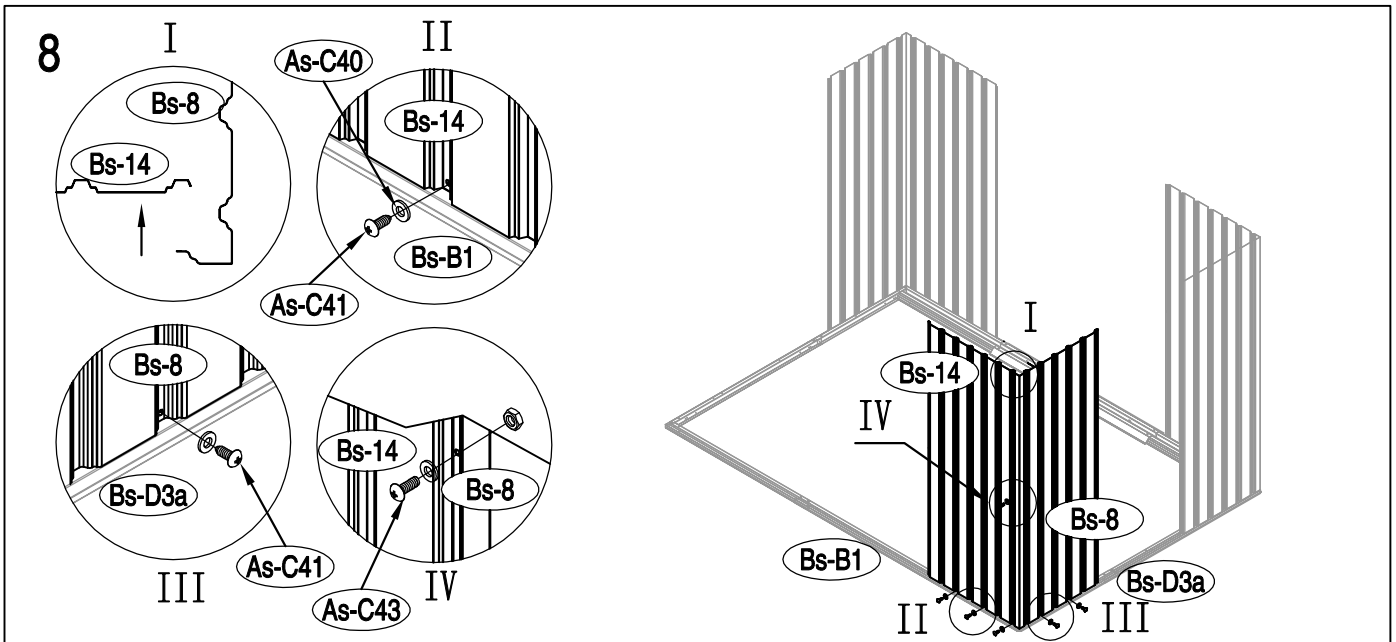
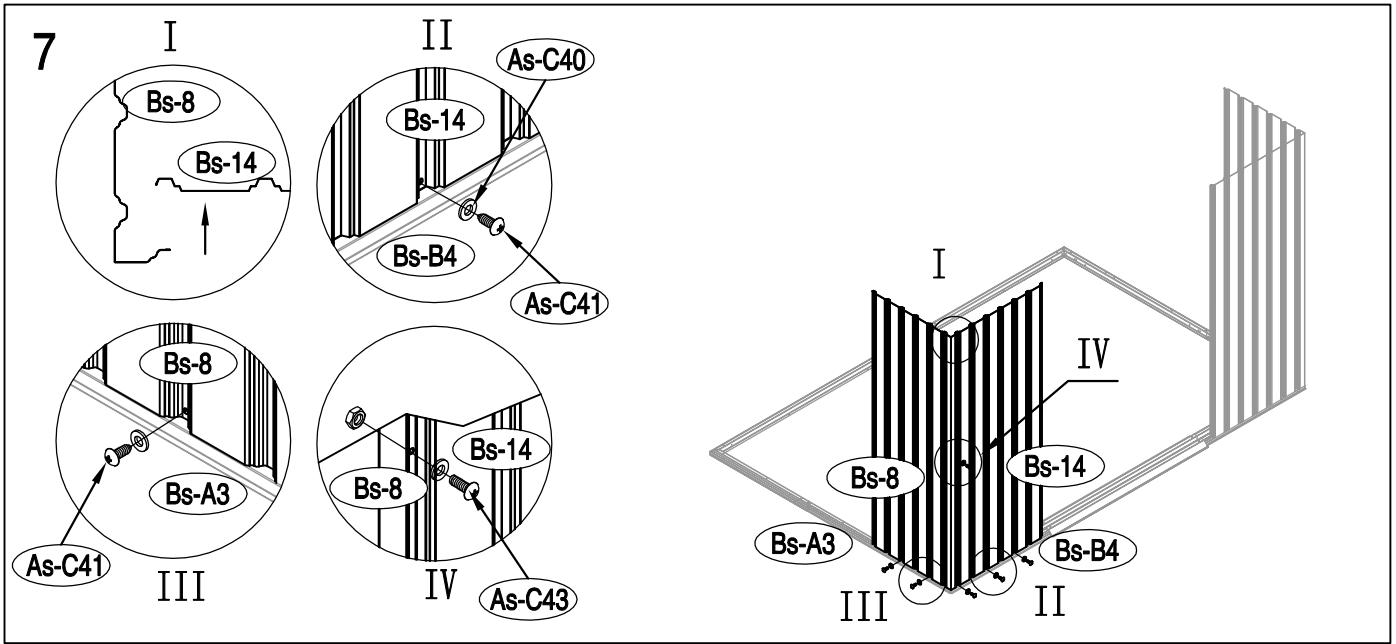


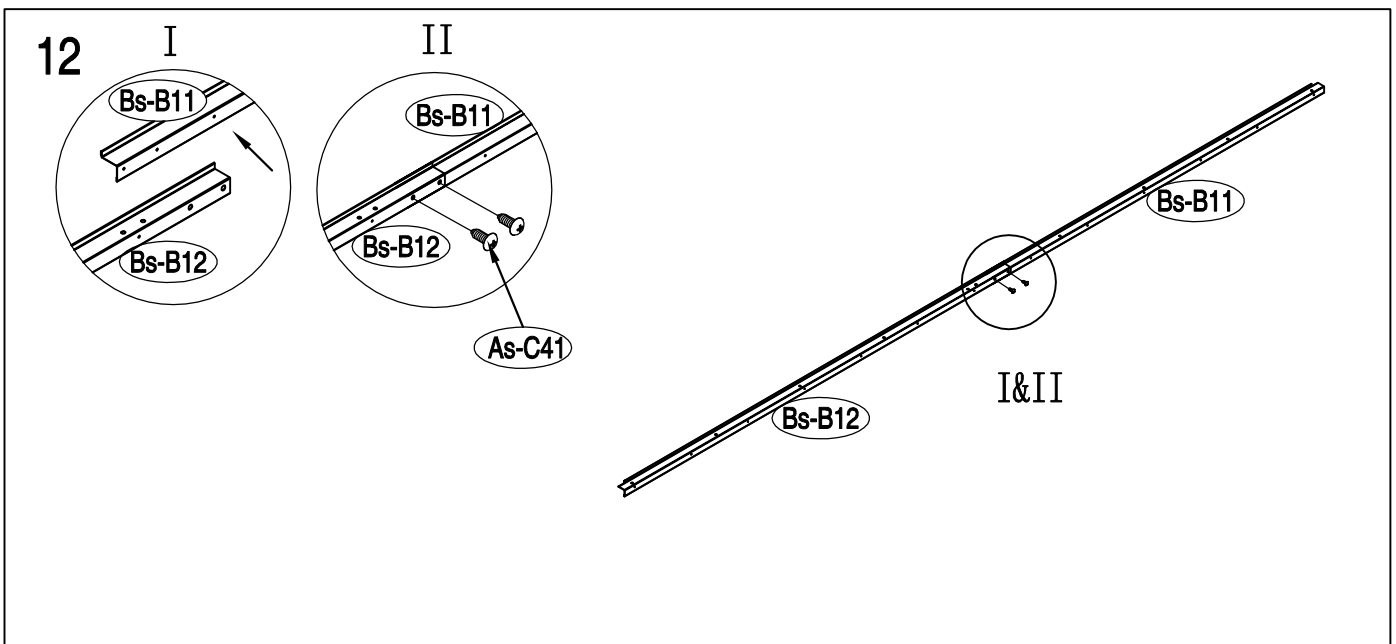
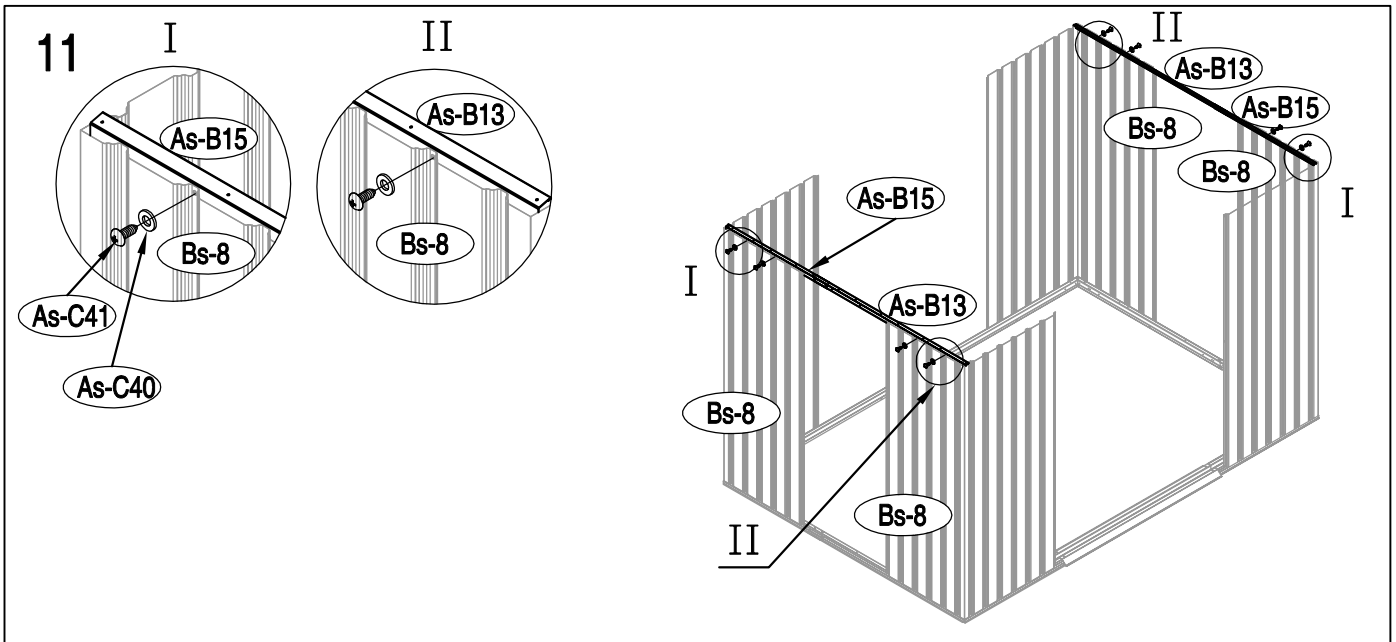
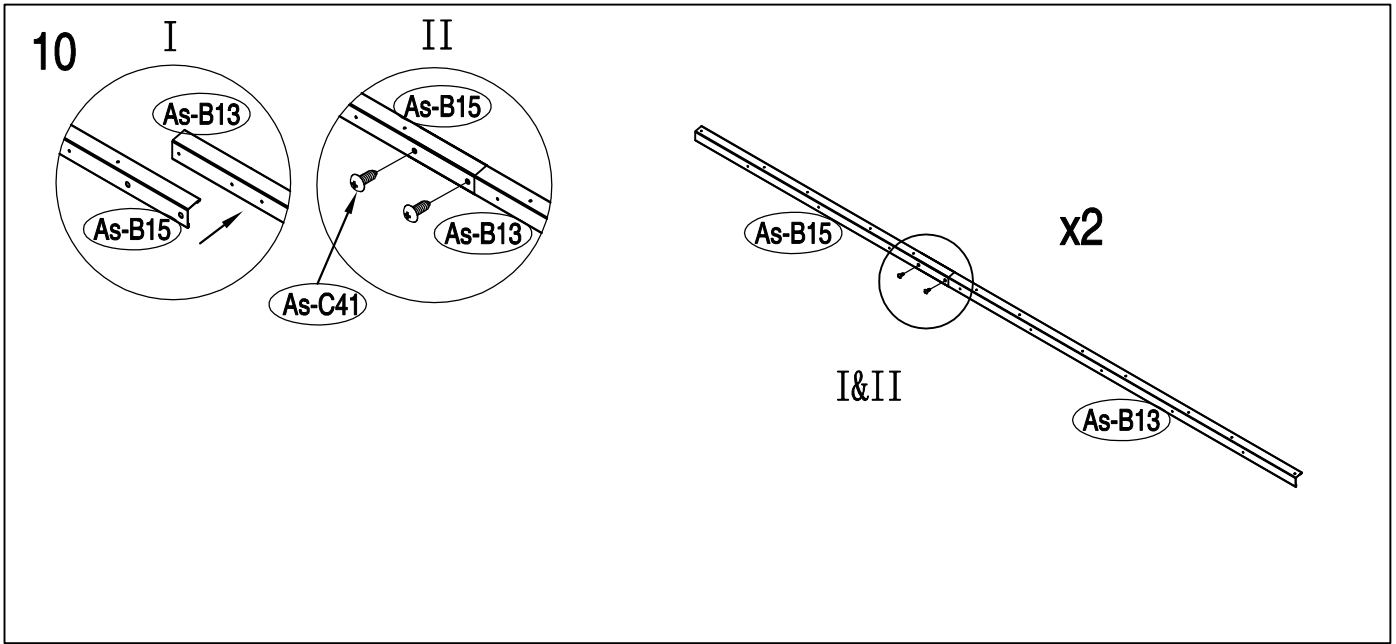


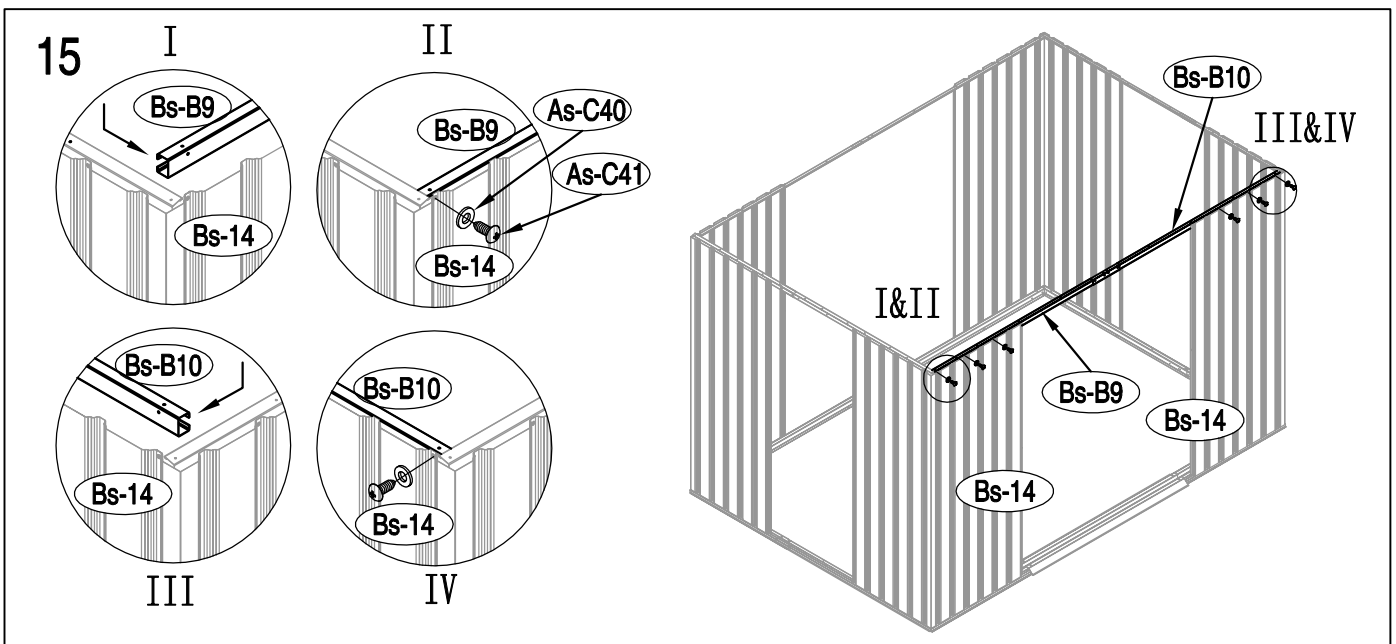
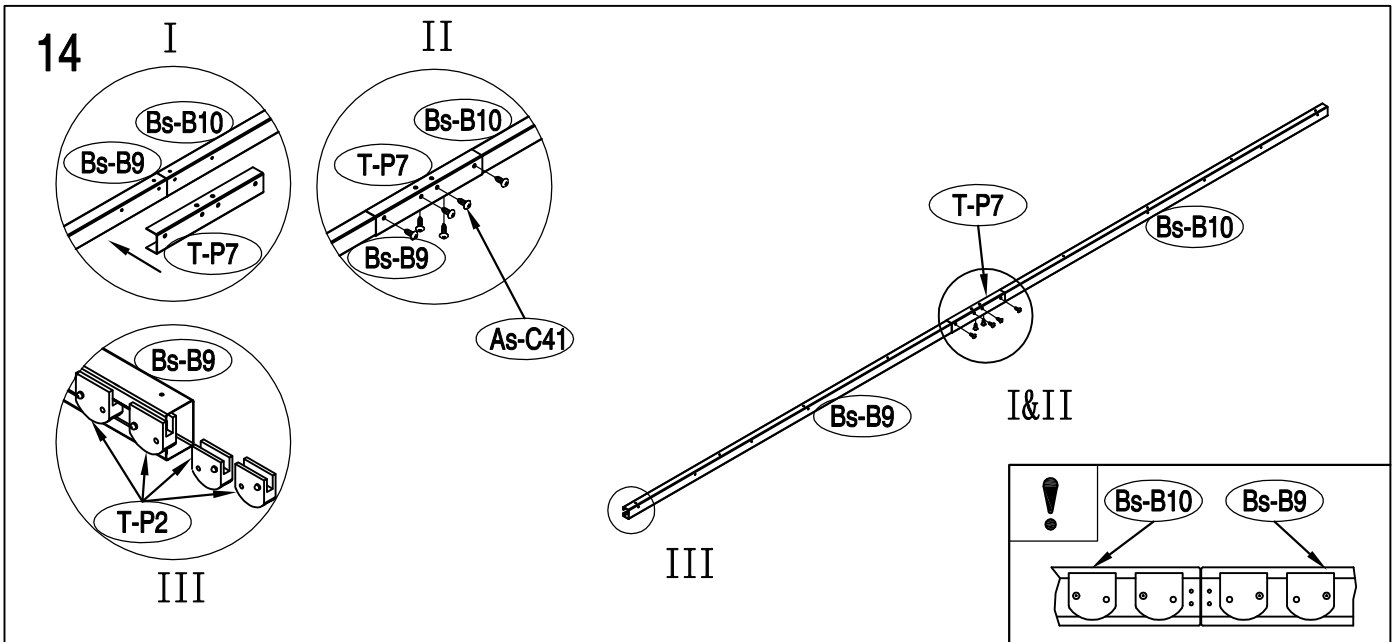
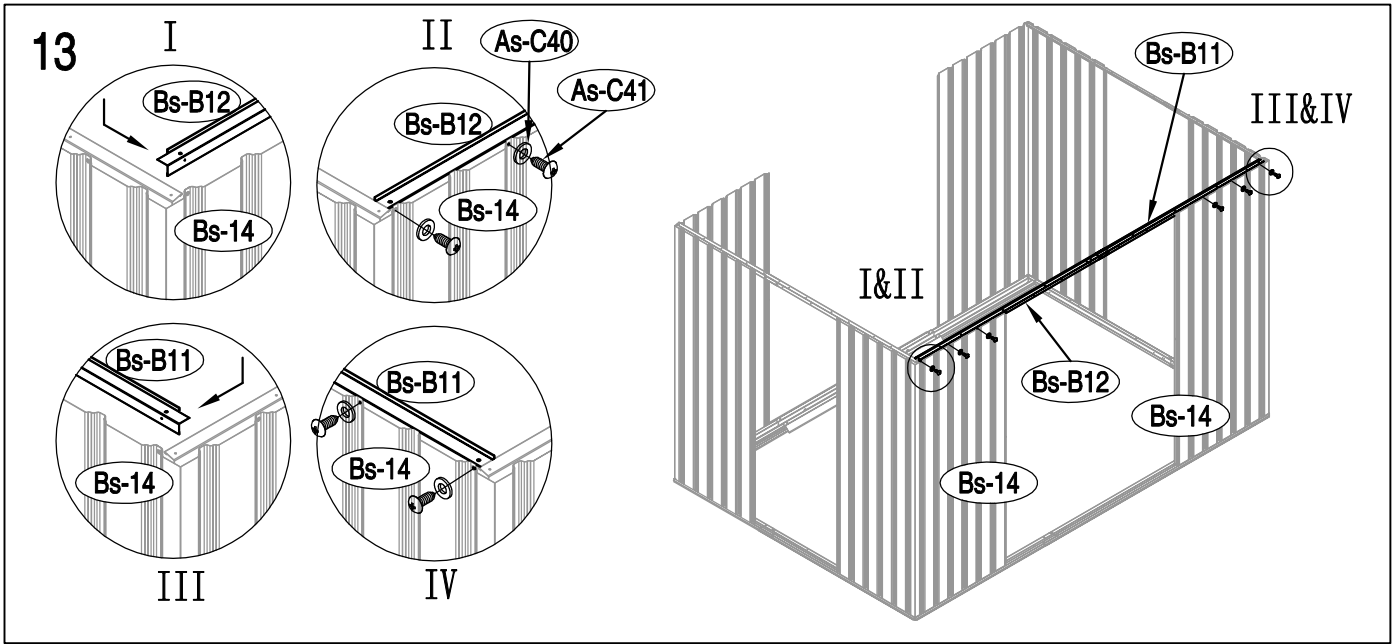
NO.	IMAGE	mm	QTY	NO.	IMAGE	mm	QTY	
UNDER				DOOR				
Bs-B1		1693	x1	As-B30		1643	x1	
Bs-A2		1074	x1	As-B35		1643	x1	
Bs-A3		1174	x2	Ts-31		1583	x2	
Bs-D3a		742	x2	Bs-B32		978	x4	
Bs-B4		803	x1	Bs-B33			593	x1
Bs-B5		803	x1	Bs-B34			593	x1
Bs-B6		1170	x1	Bs-B36	593		x1	
MIDDLE				Bs-B37			593	x1
Bs-8		1648	x4	ANNEX				
Bs-14		1648	x8	T-P1			x4	
Bs-B9		1315	x1	T-P2			x4	
Bs-B10		1315	x1	T-P3			x4	
Bs-B11		1249	x1	T-P4			x2	
Bs-B12		1453	x1	TP5A			x4	
As-B13		1145	x2	T-P6			x2	
As-B15		762	x2	T-P7		200	x1	
Bs-16		1648	x1	T-P8			x2	
Bs-17		1648	x1	As-C40			x207	
Bs-B18		1257	x1	As-C41		ST4X10	x256	
TOP1				As-C42		ST4X16	x21	
As-C19		1305	x2	As-C43		M4X10	x91	
As-C20		1305	x2	As-C44			x79	
As-B22		954.5	x4	V-A1		1024	x4	
As-B22a		954.5	x4	V-A3		1344	x4	
T-B29		160	x4					
TOP2								
As-C23		1420	x2					
As-C24		1420	x2					
As-C25		1420	x2					
As-26		1294	x2					
As-27		655	x2					
As-C38		1417	x2					
As-C39		1417	x2					
As-B28		1017	x2					

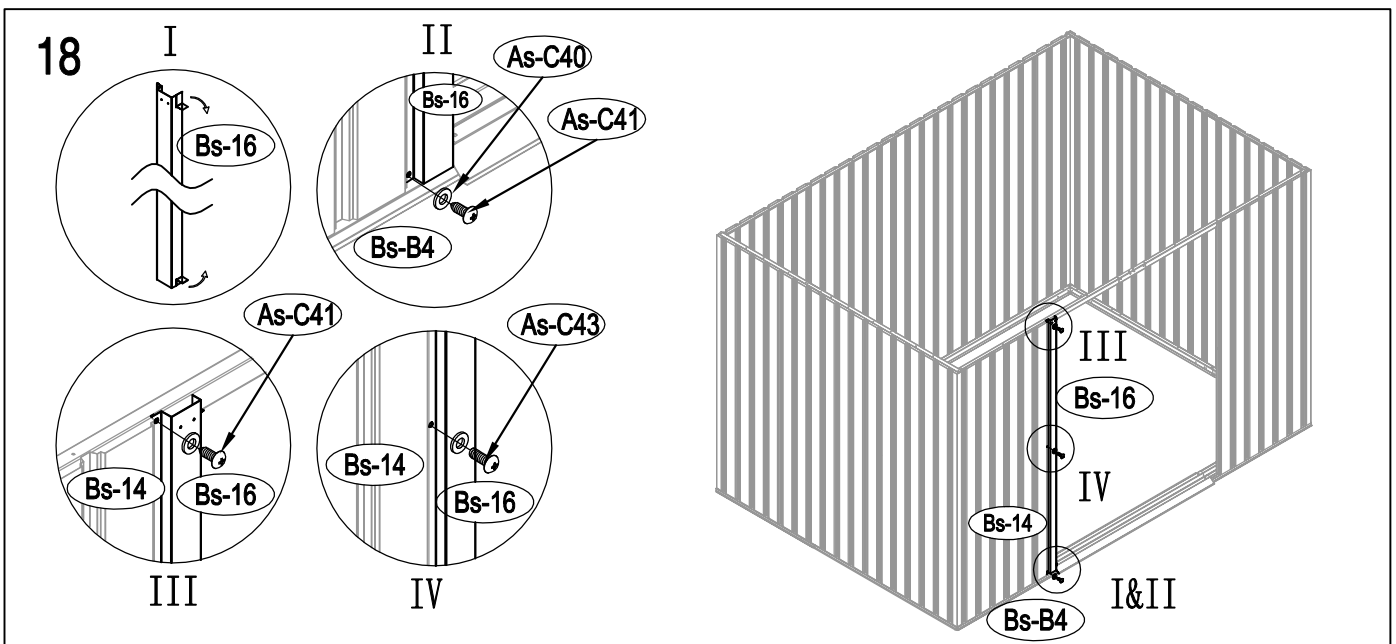
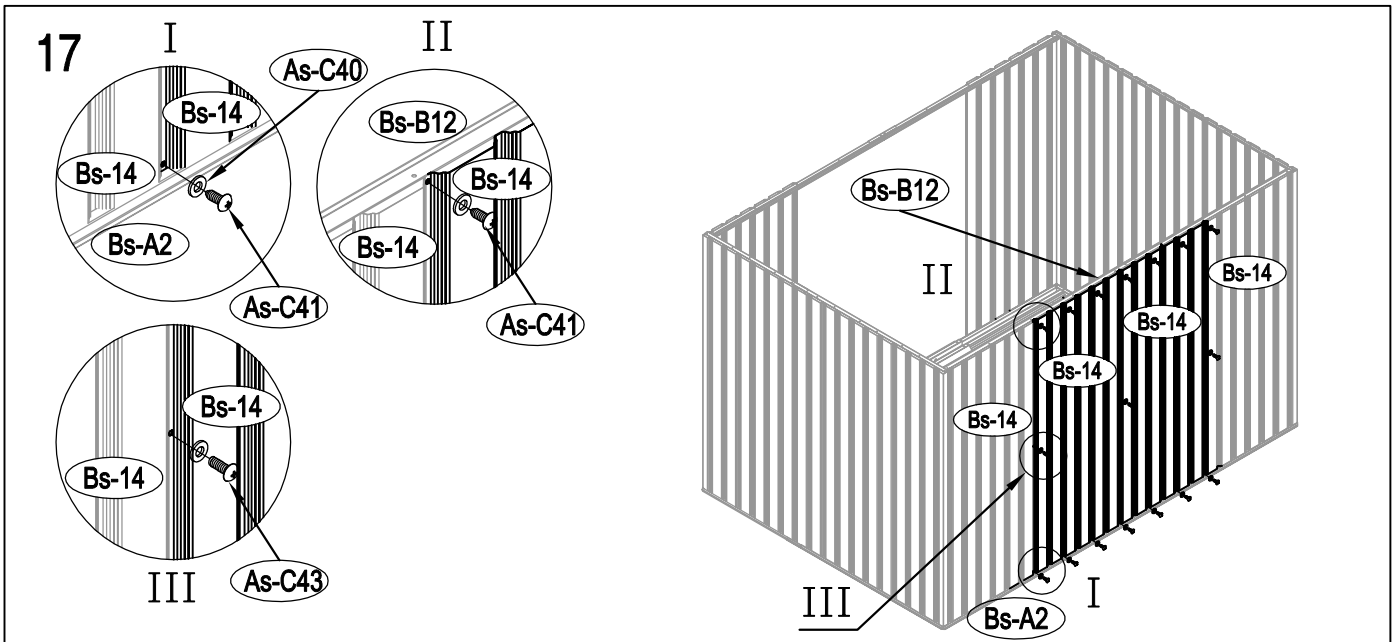
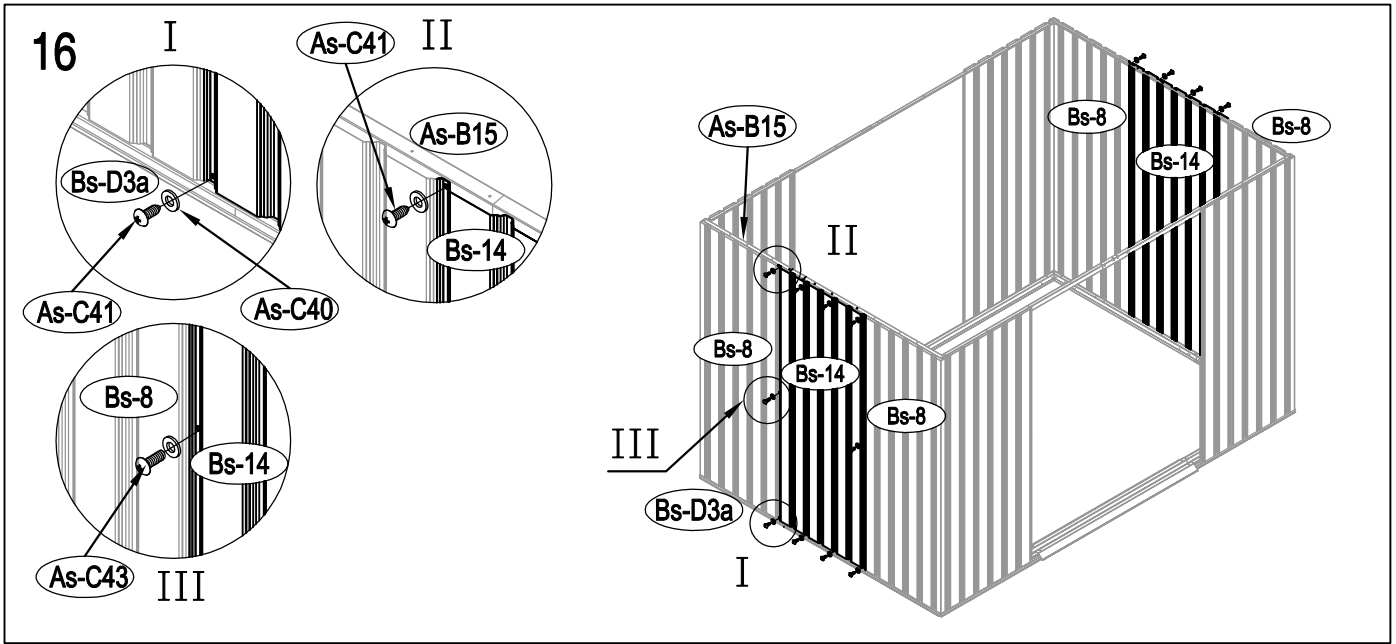


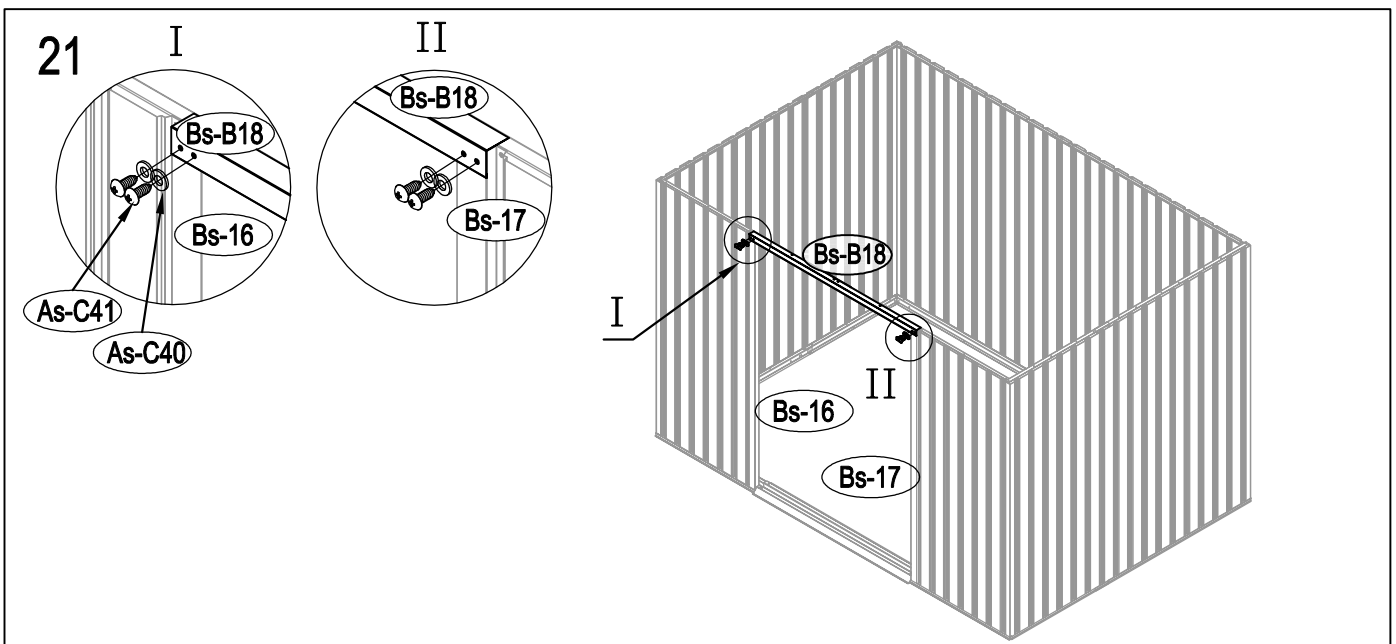
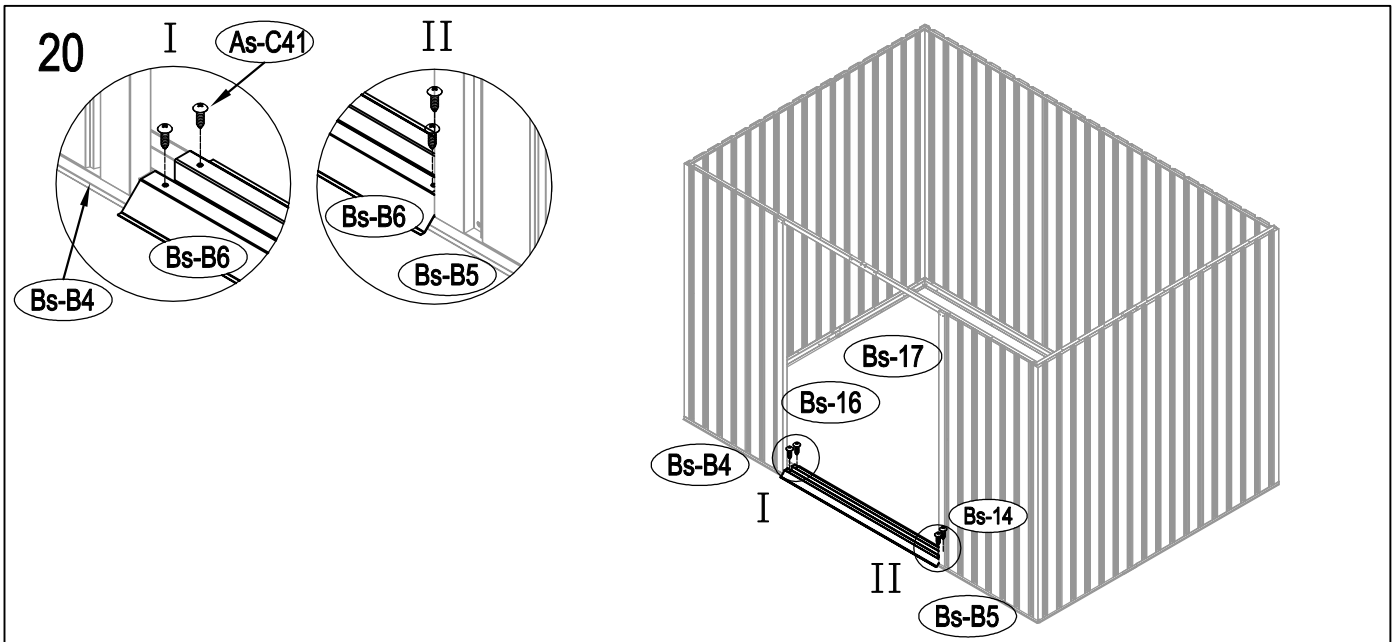
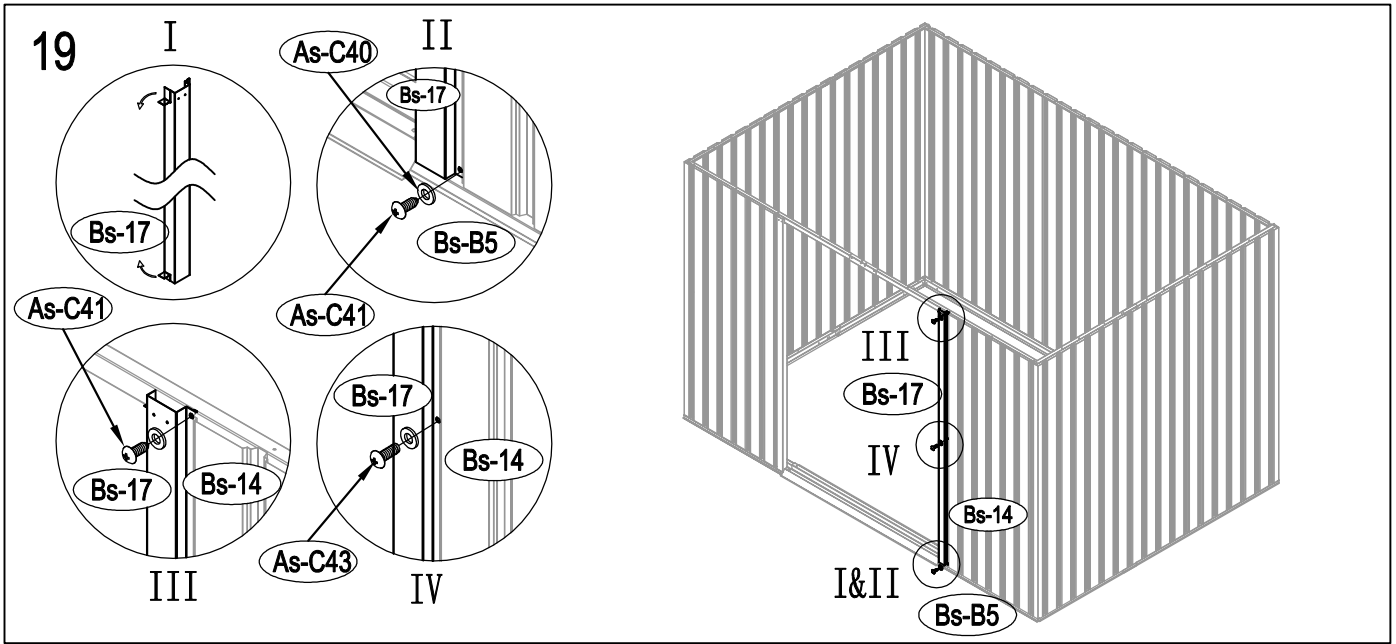


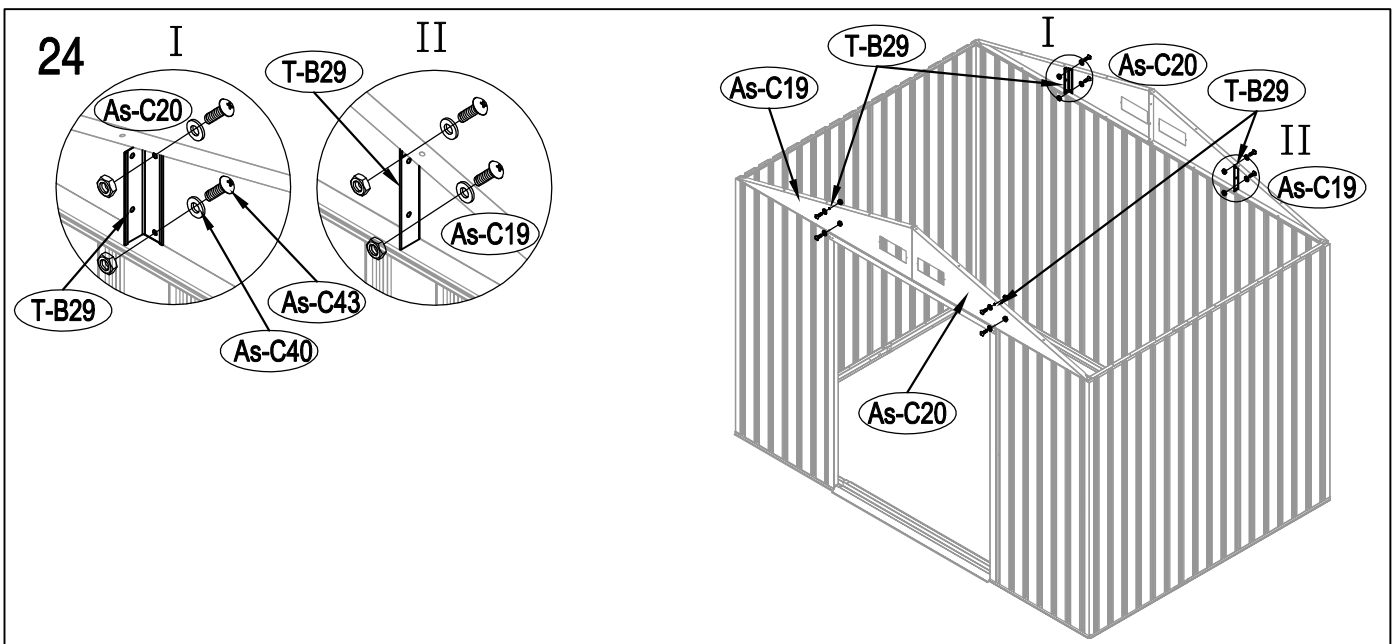
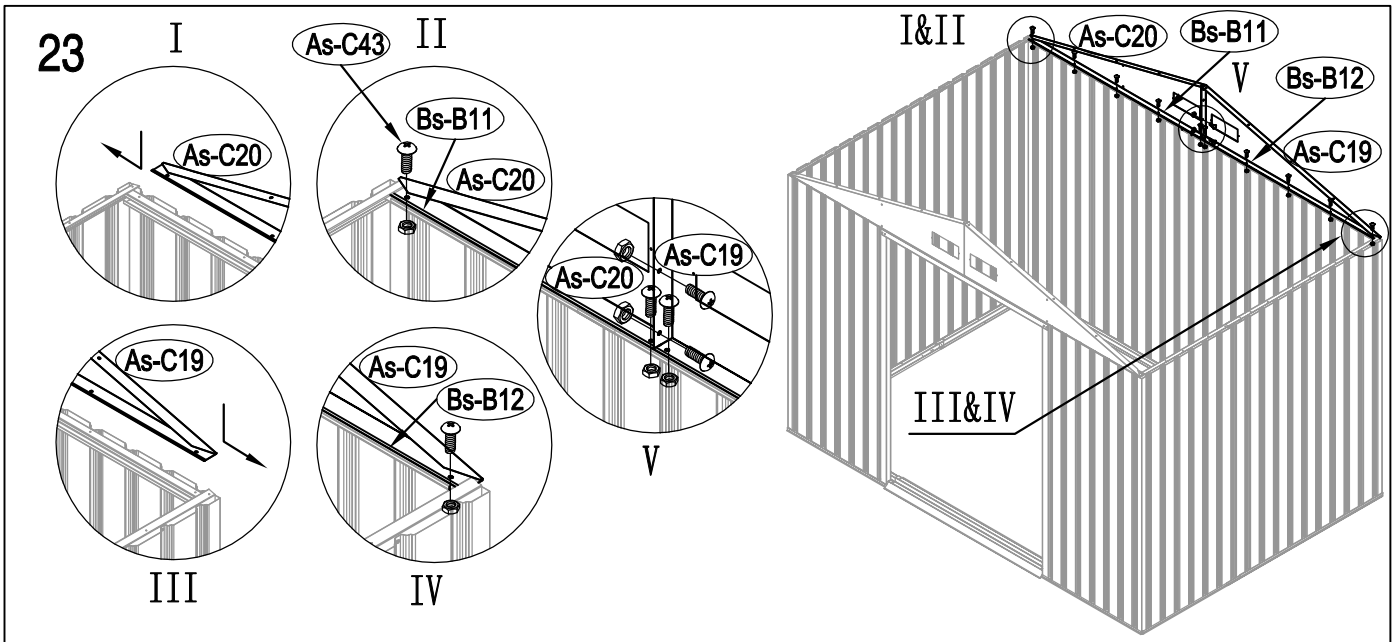
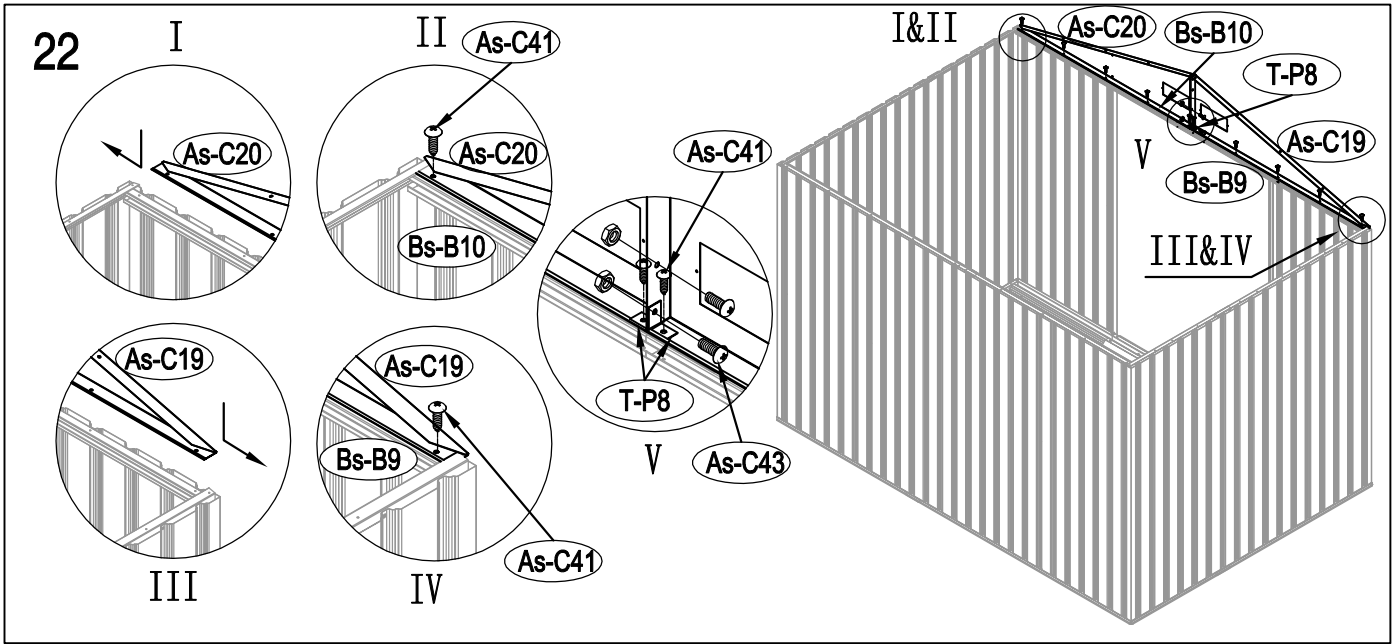


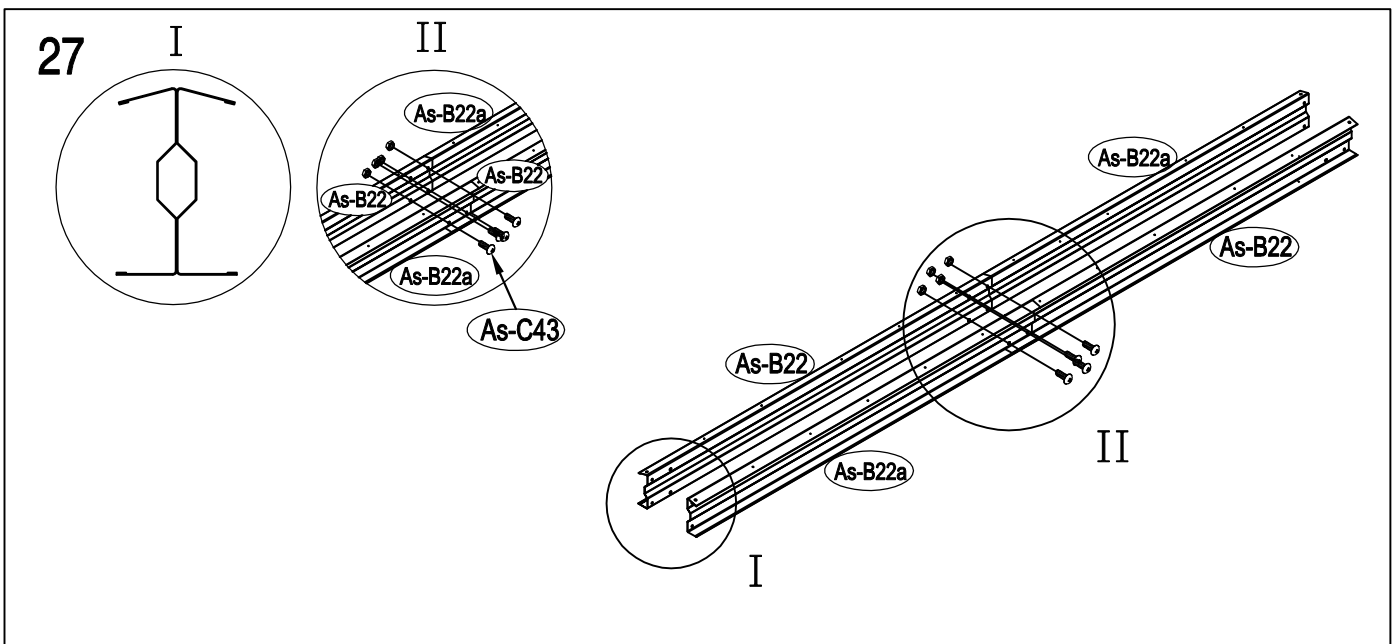
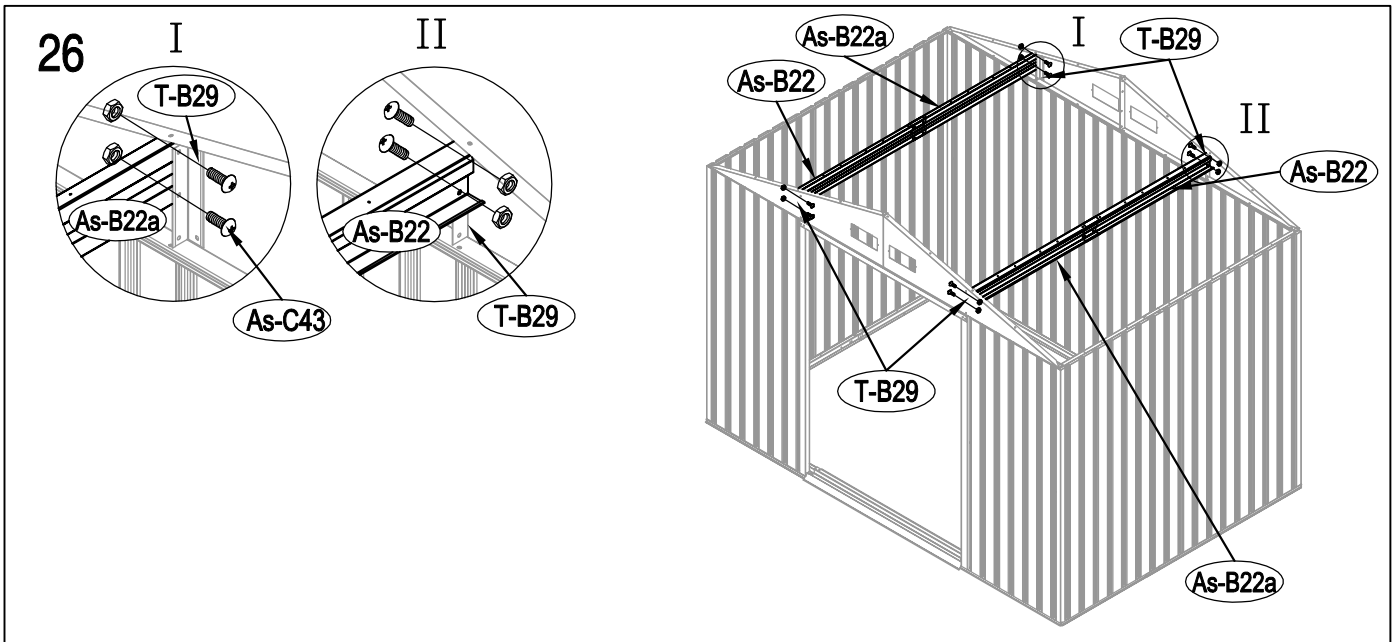
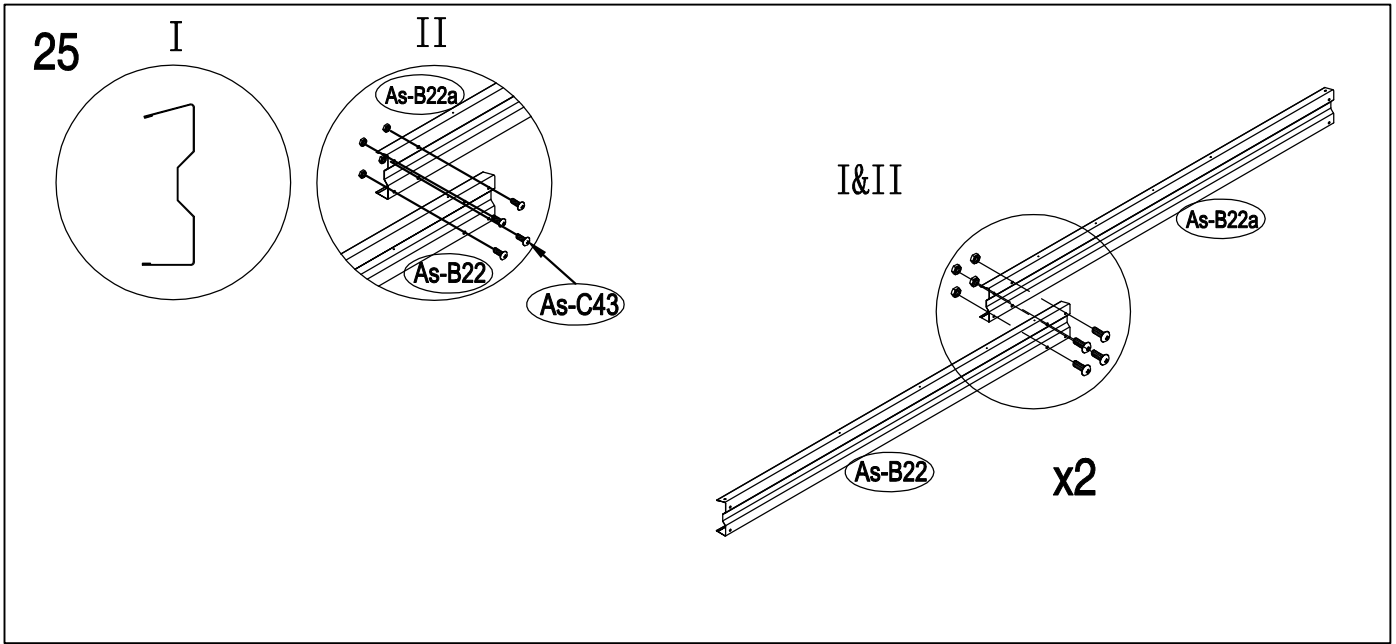


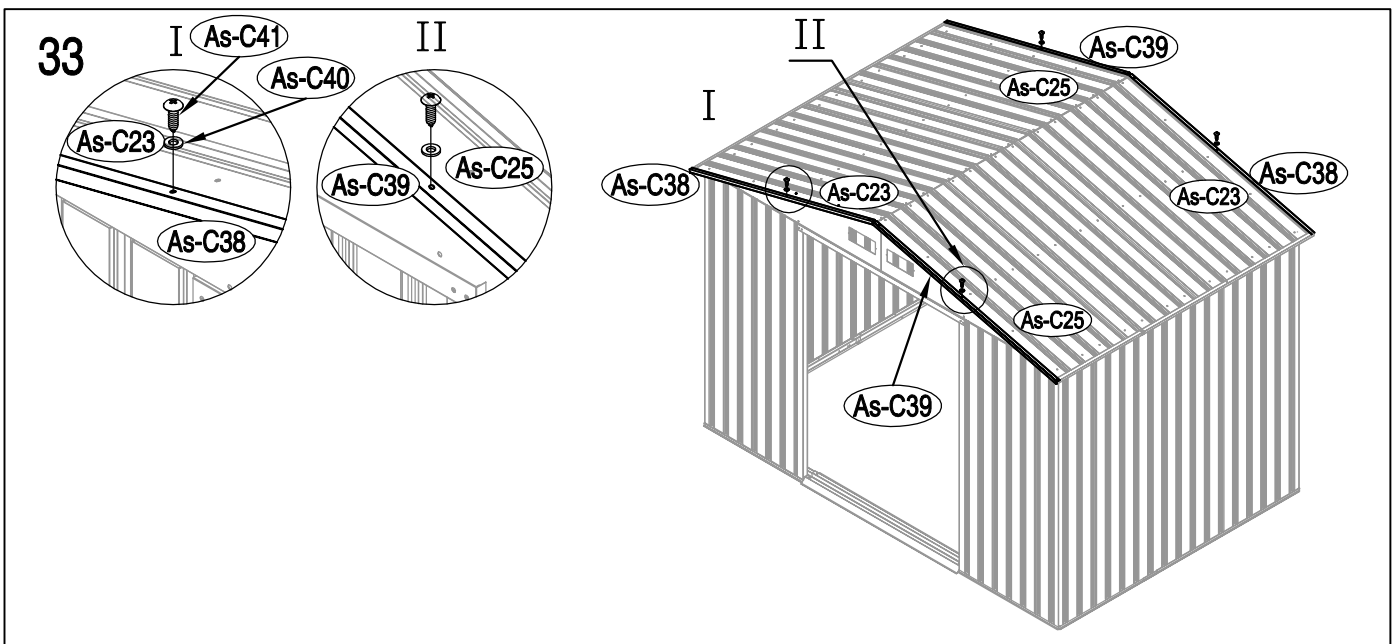
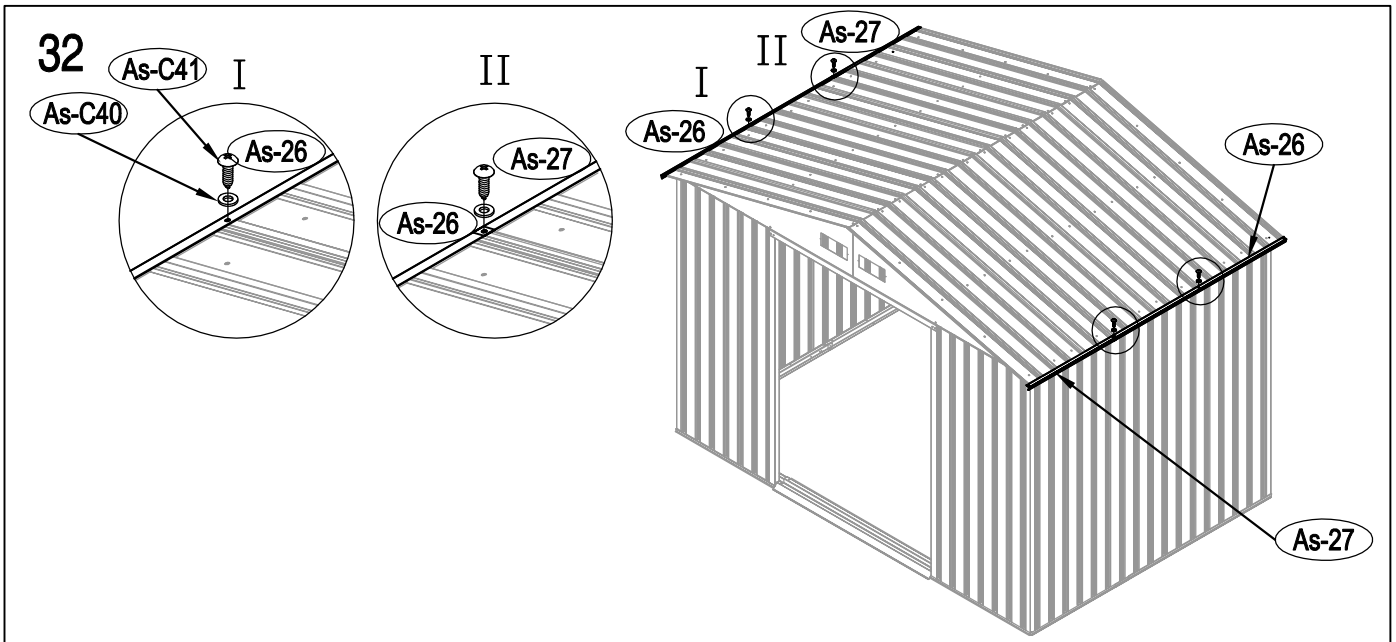
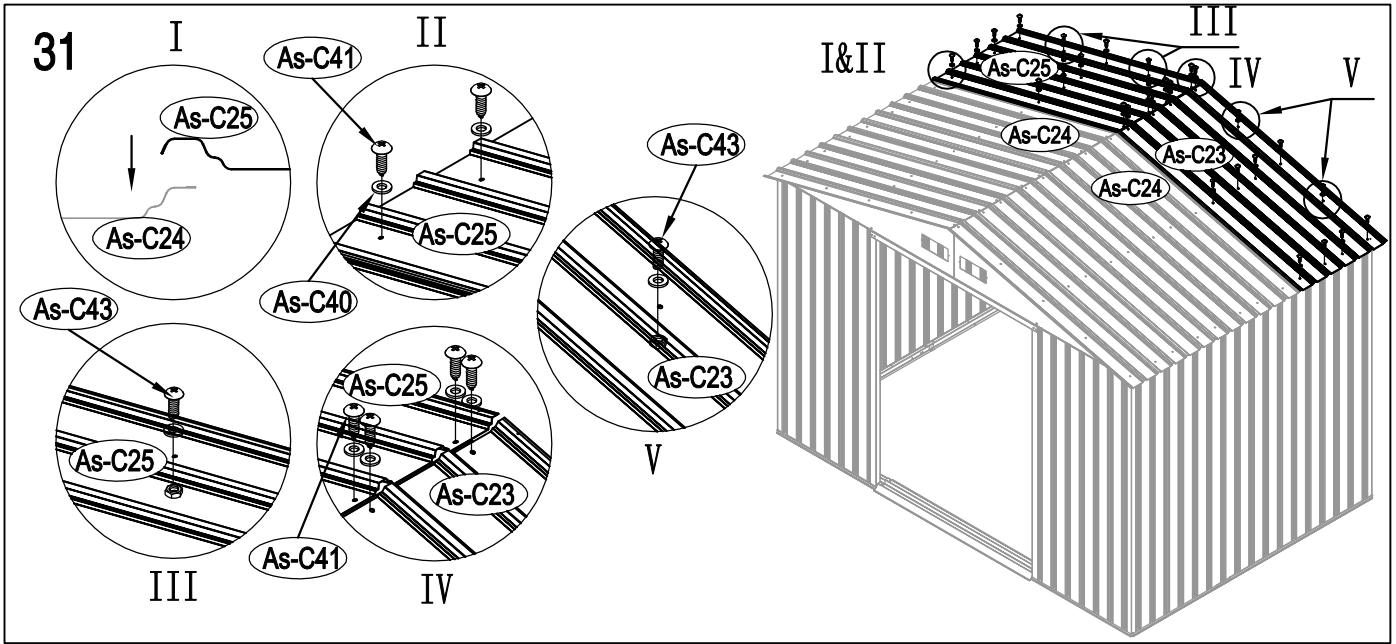




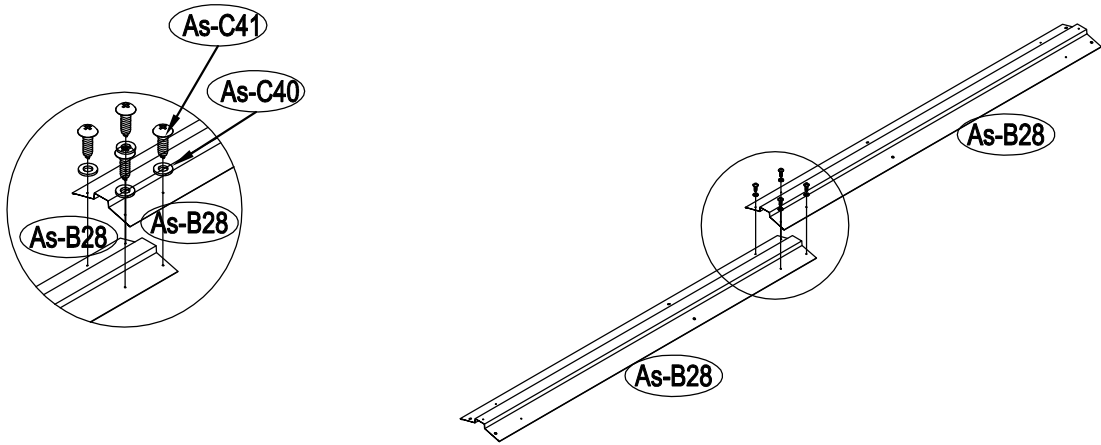




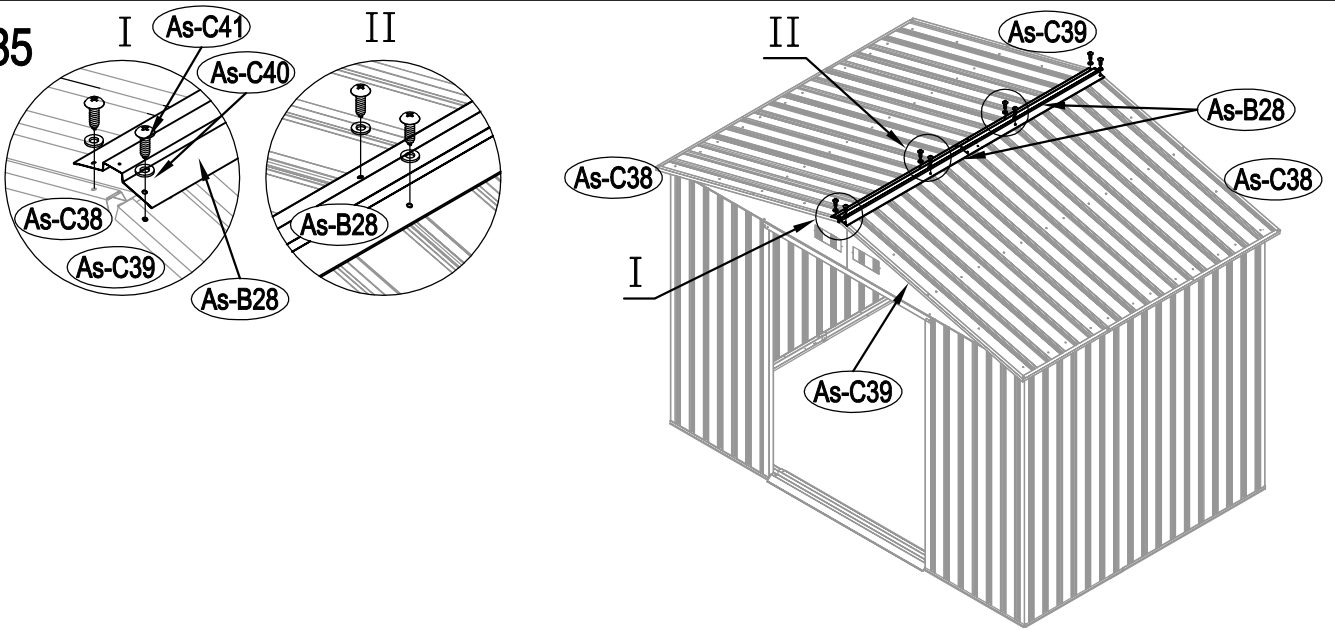




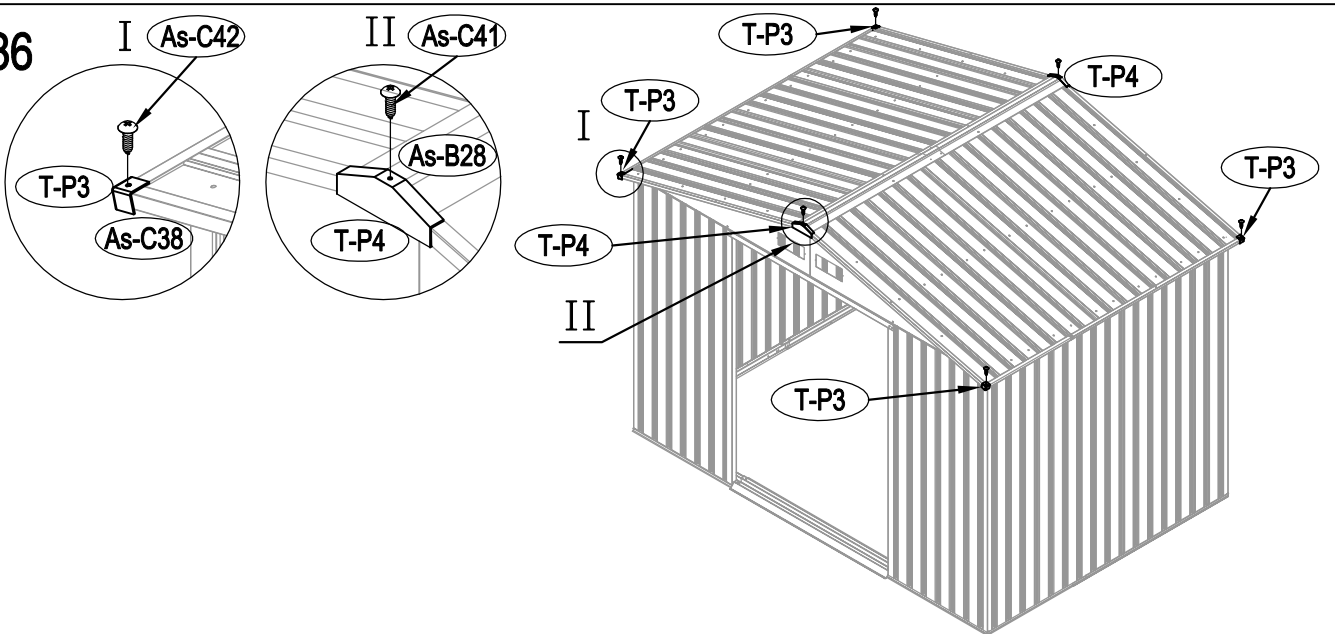
34

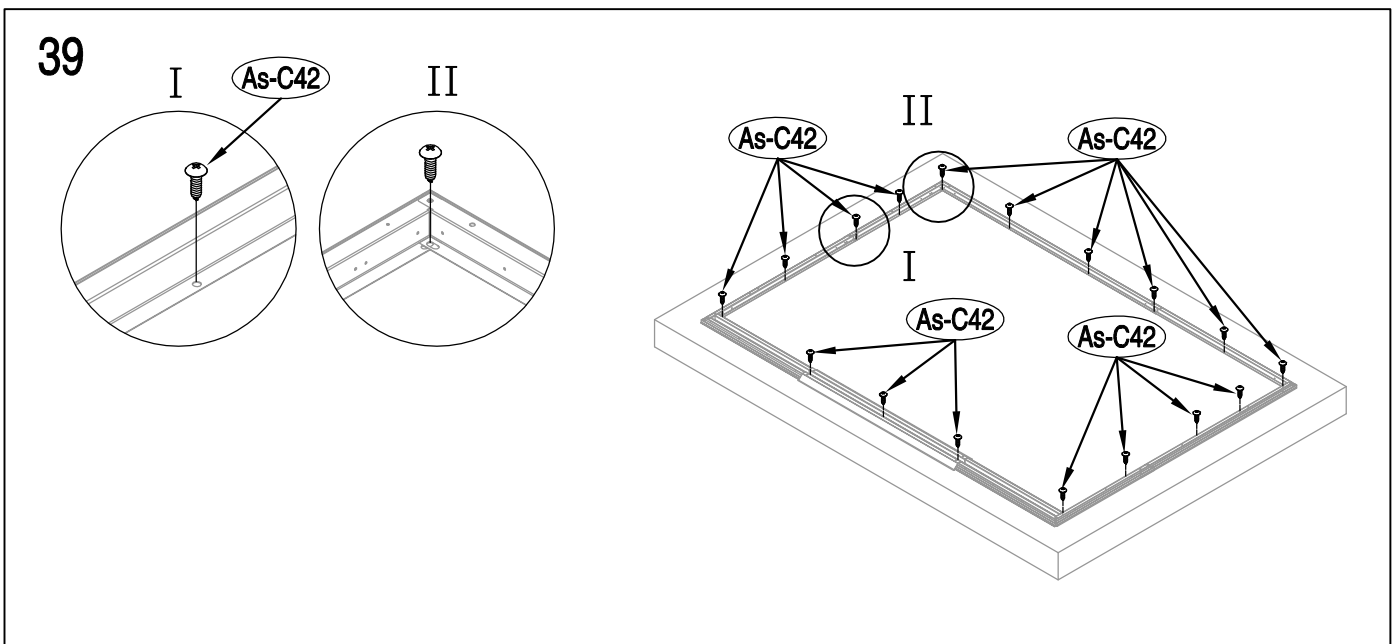
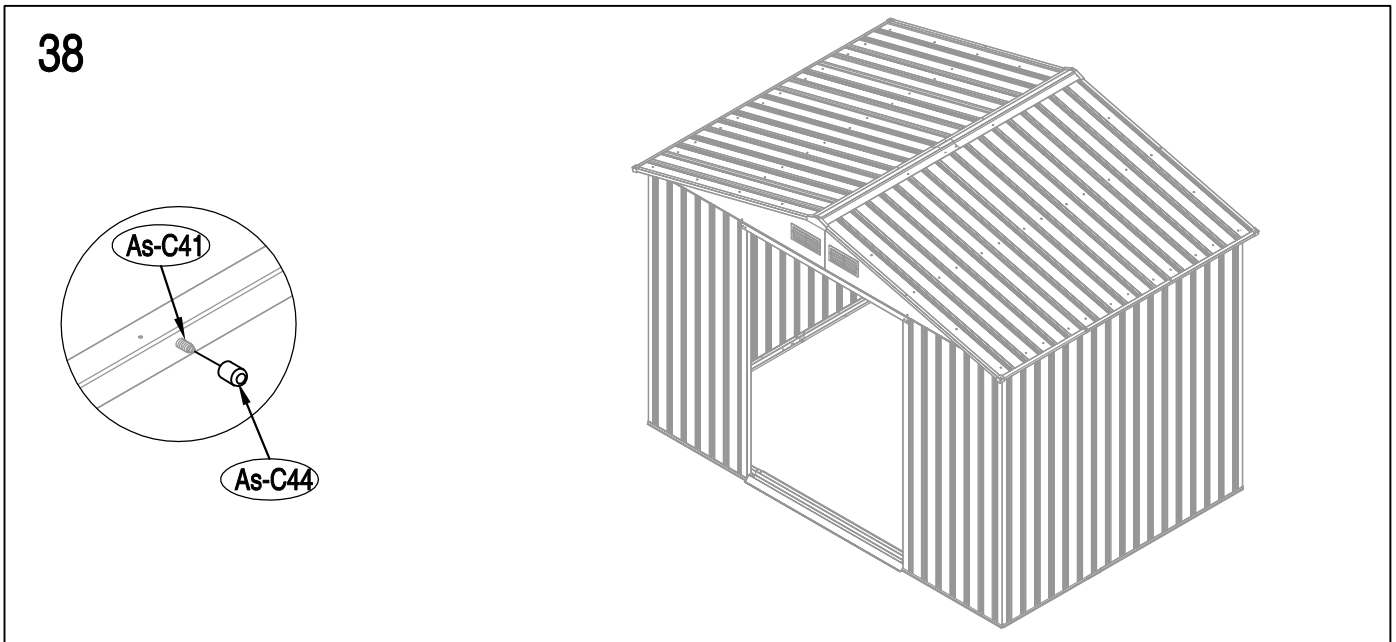
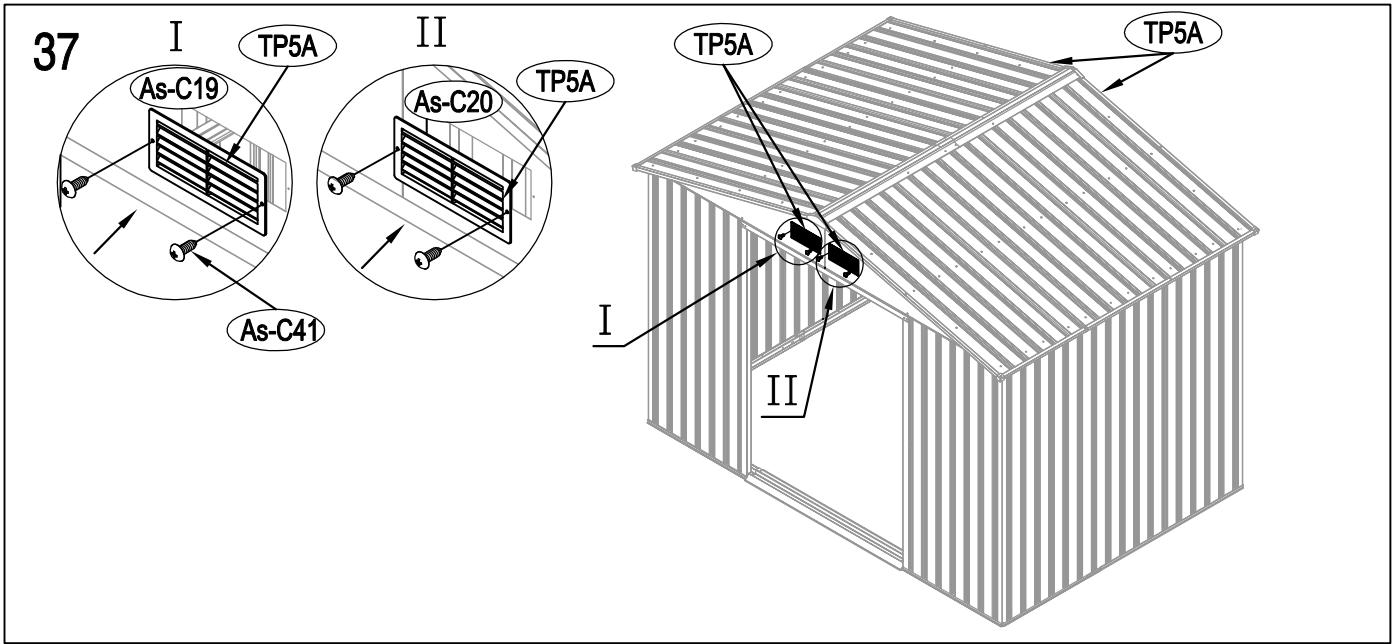


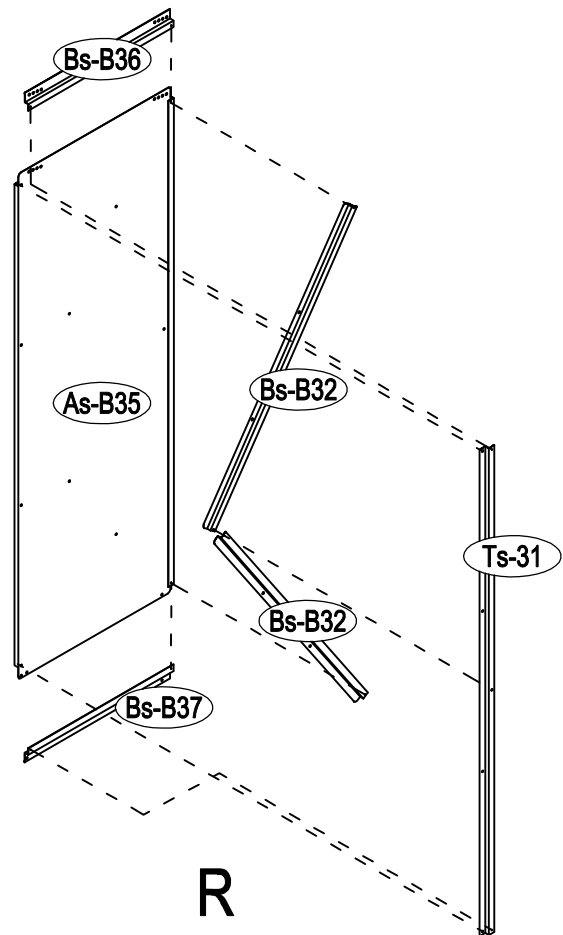
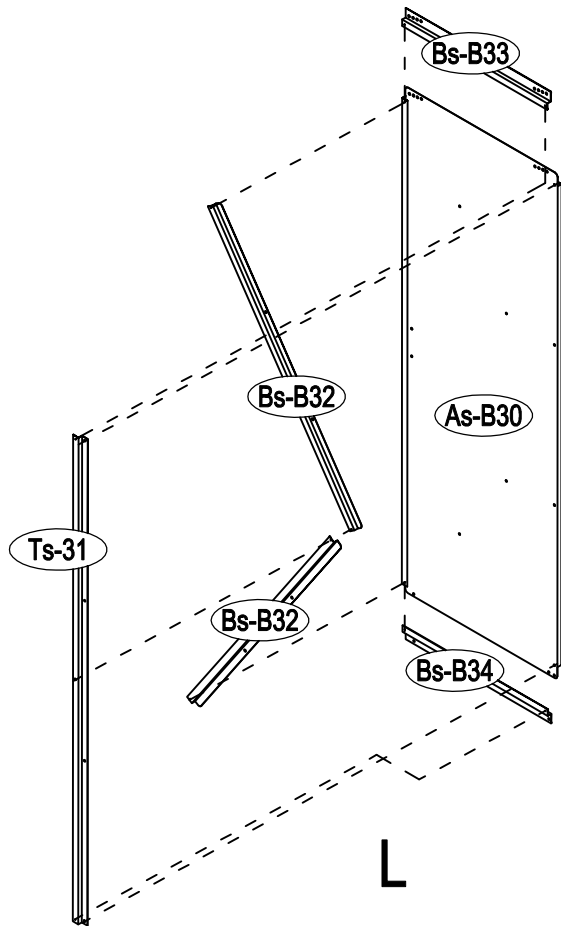
35

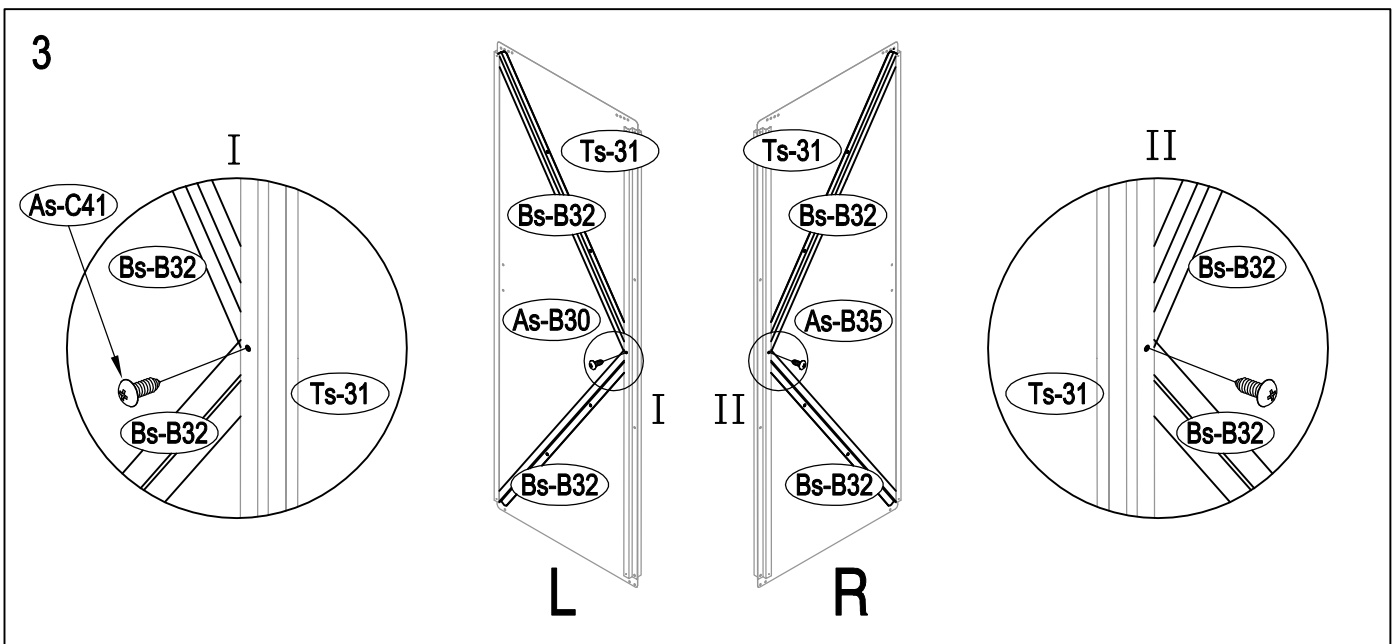
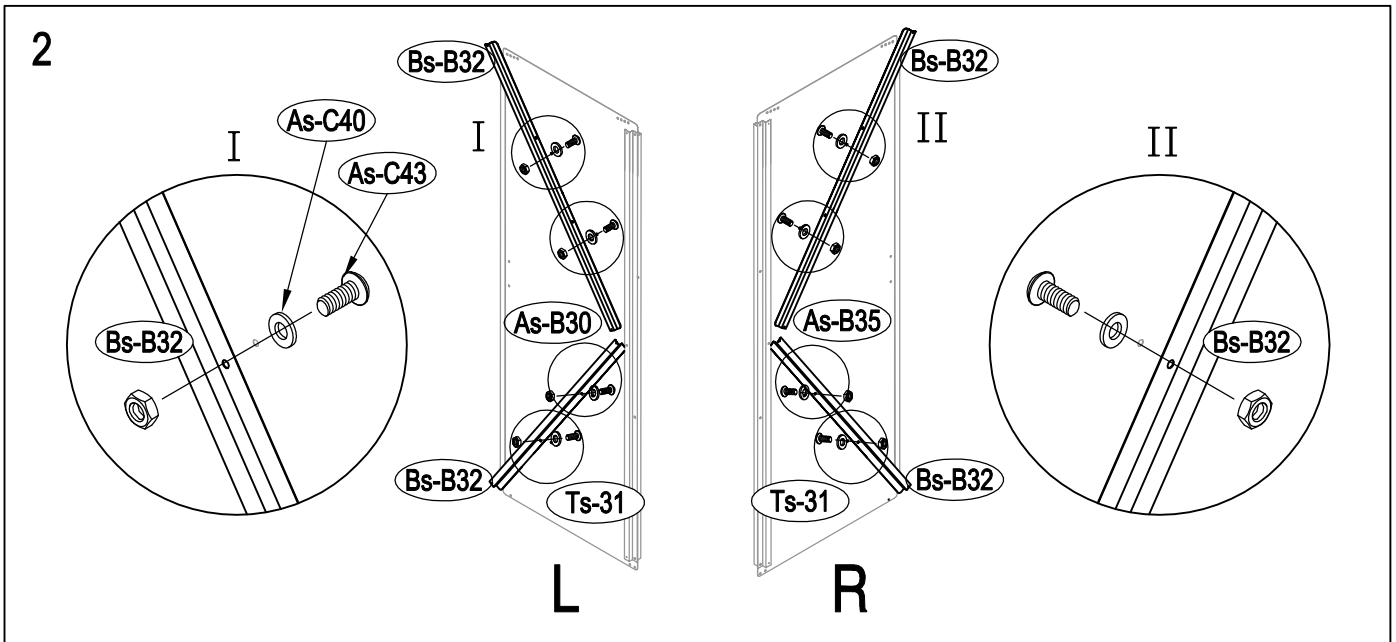
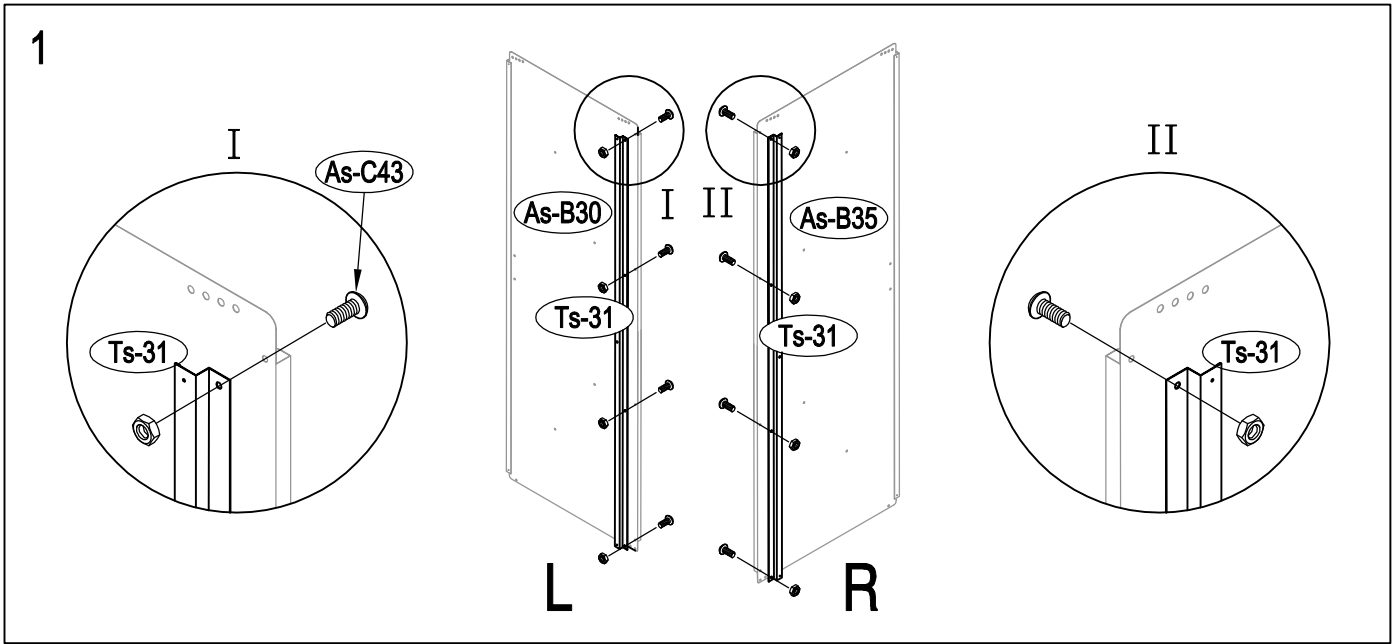


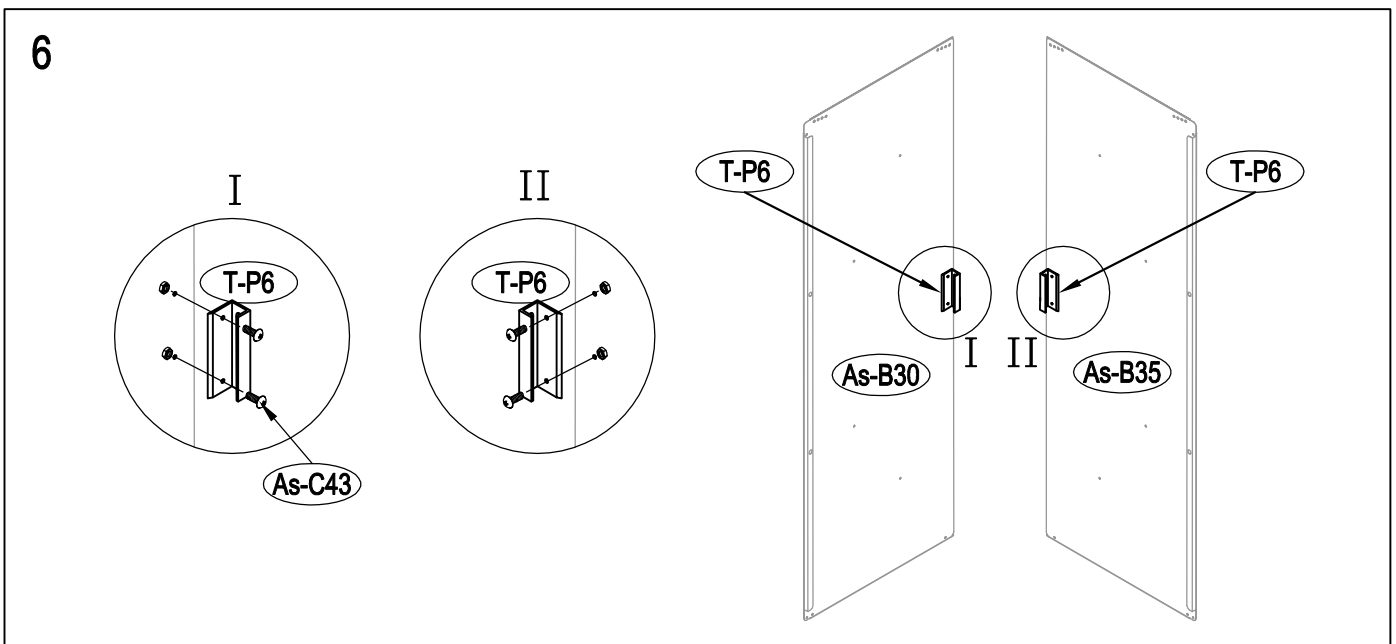
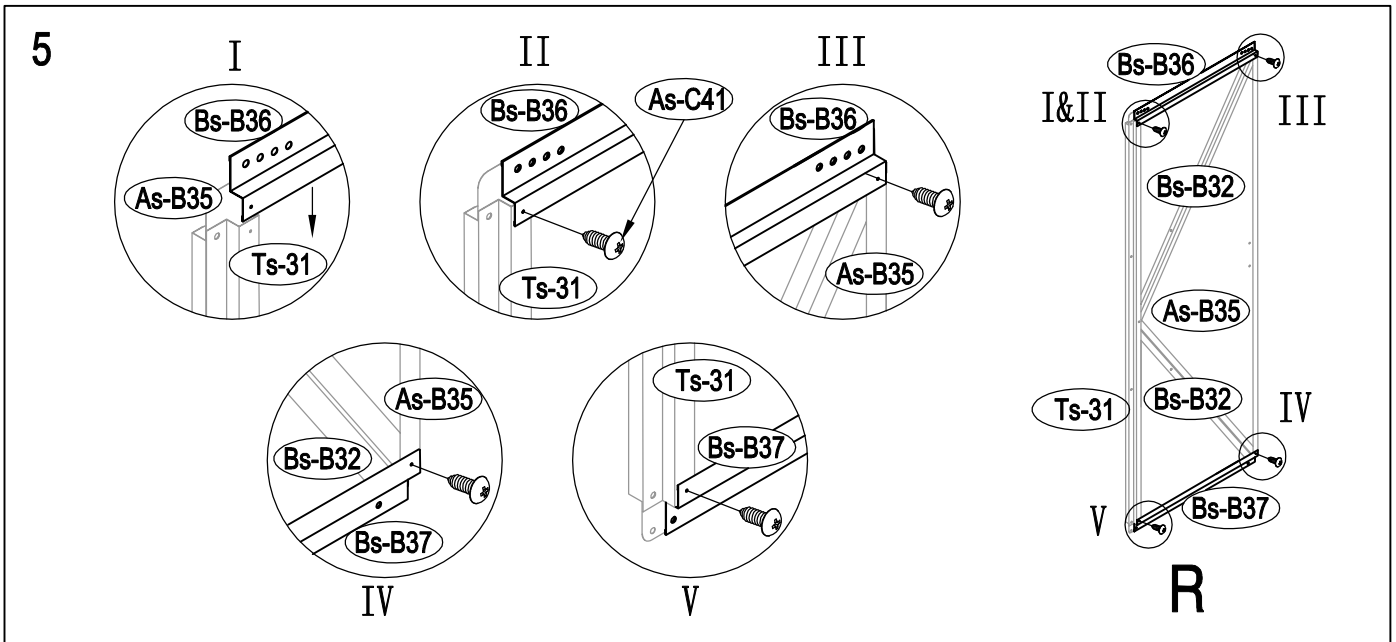
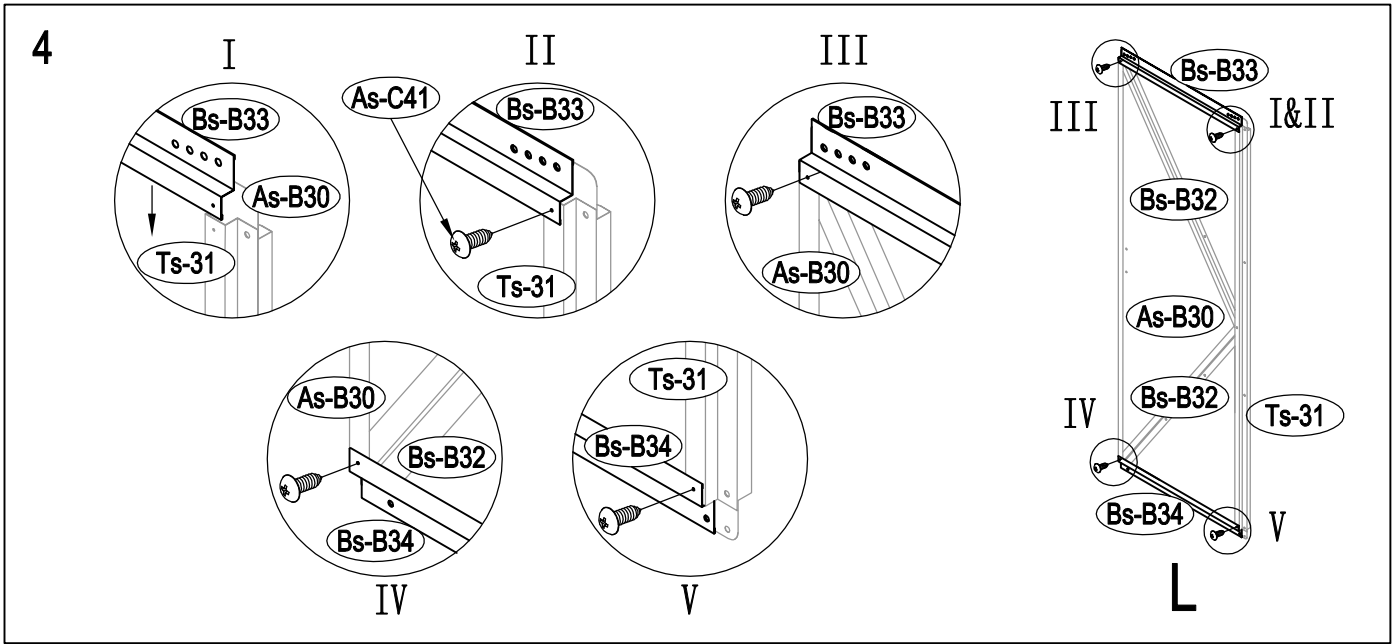
36

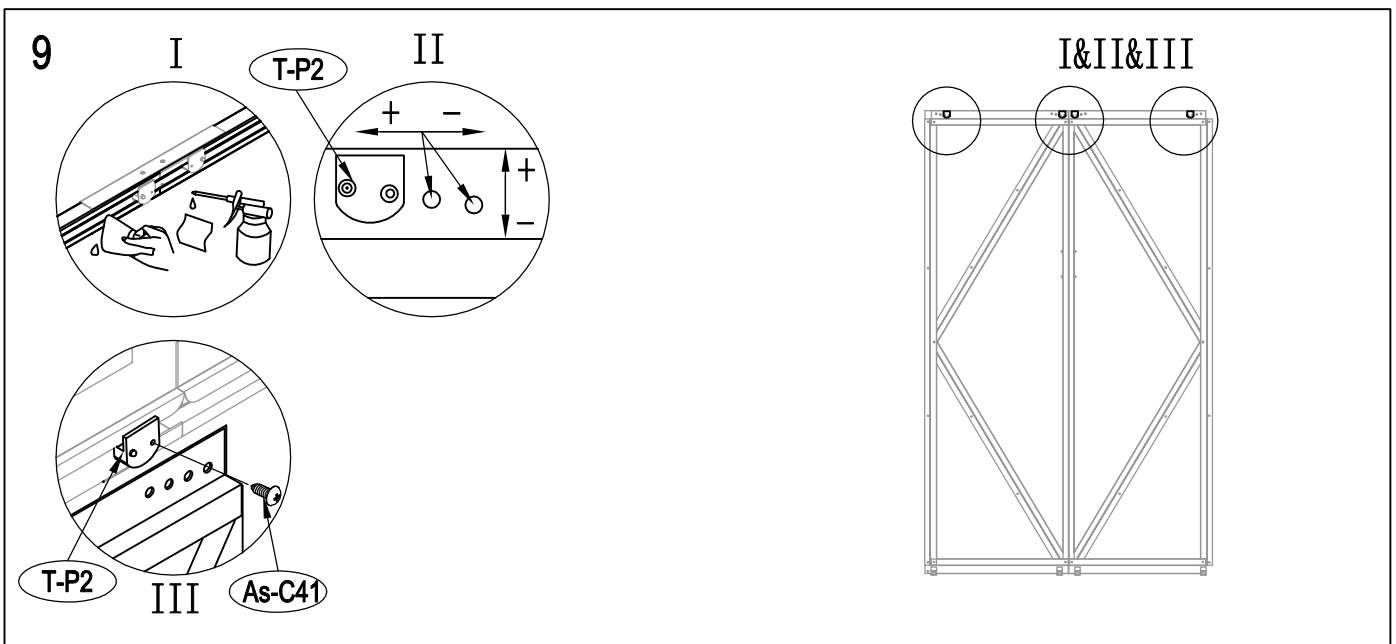
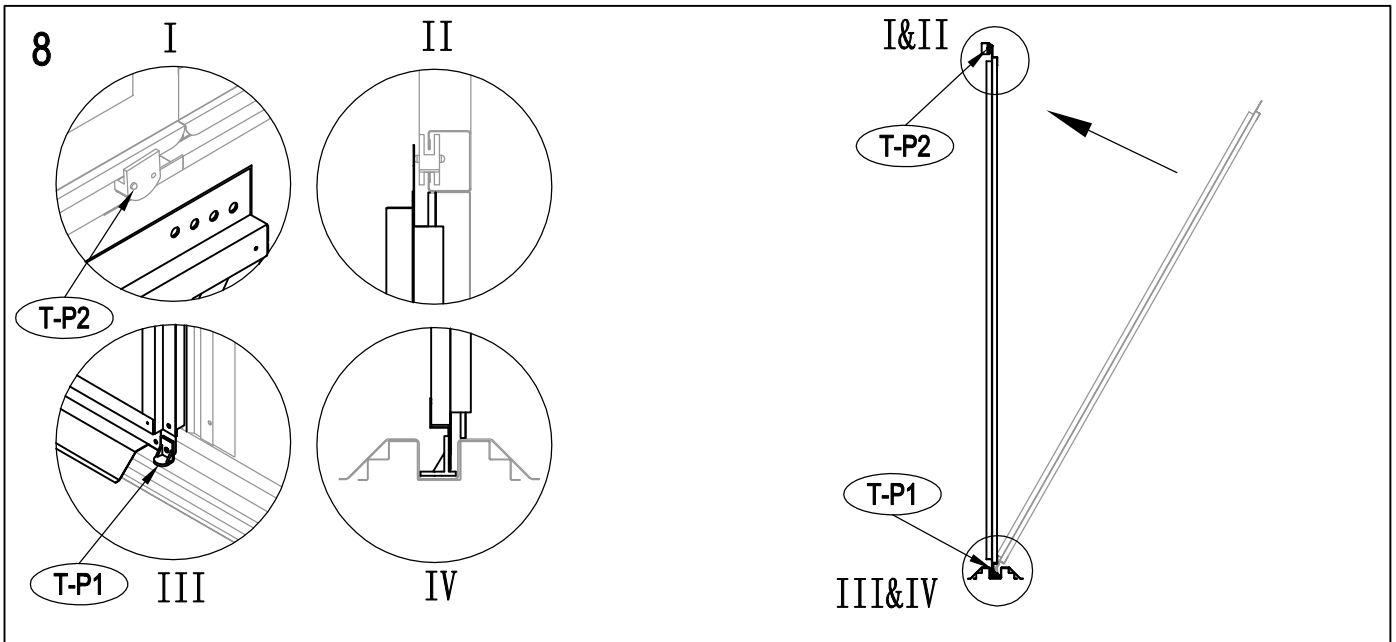
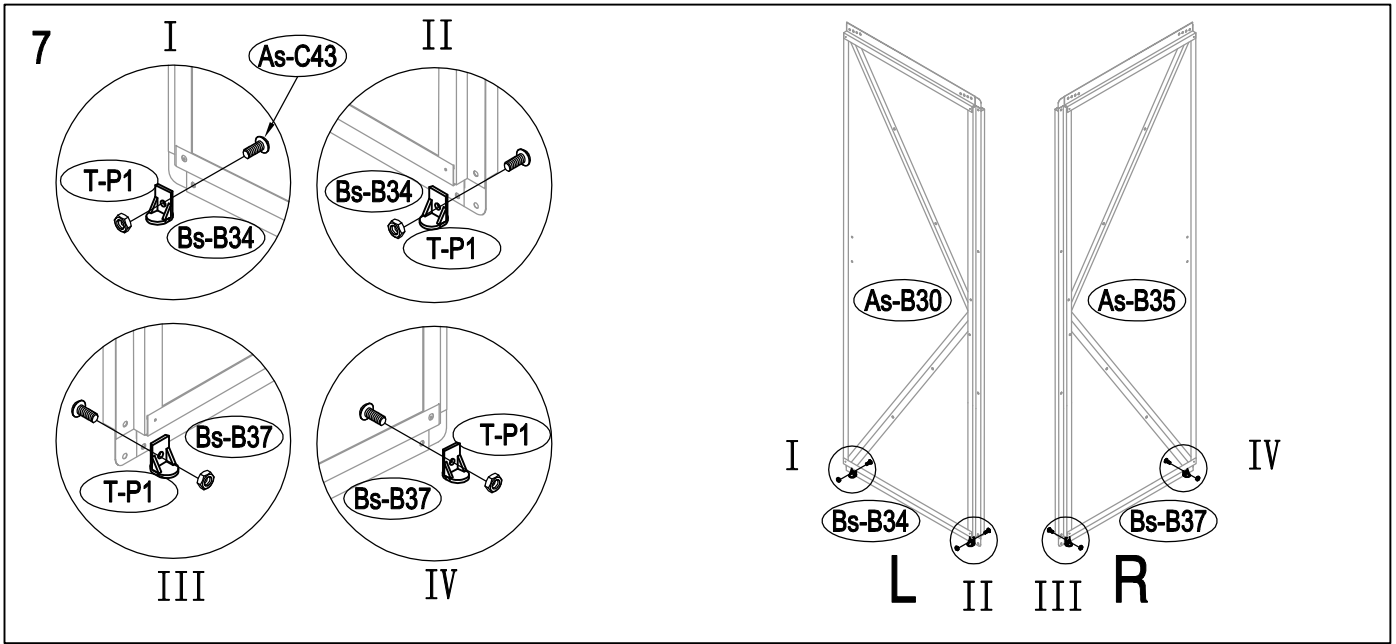


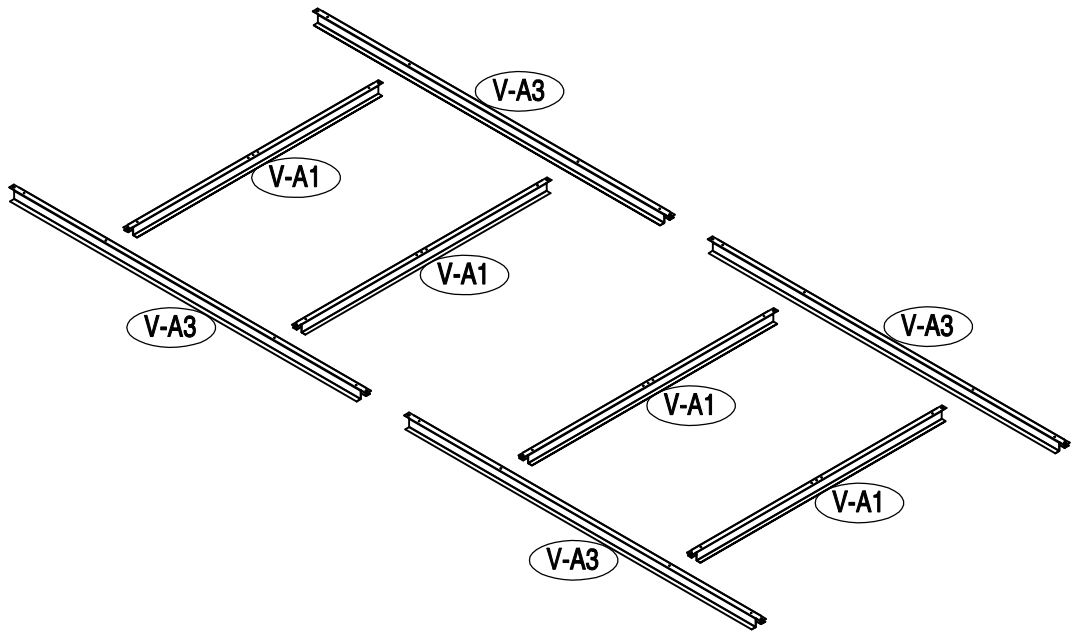




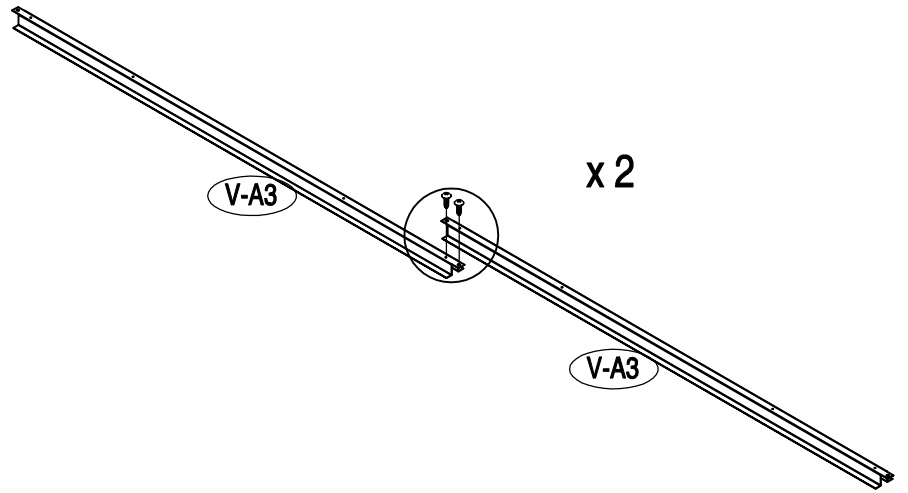
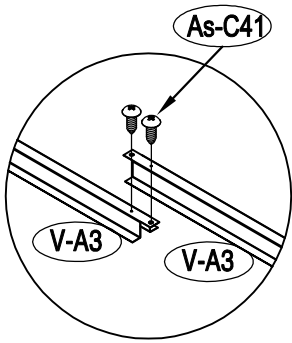




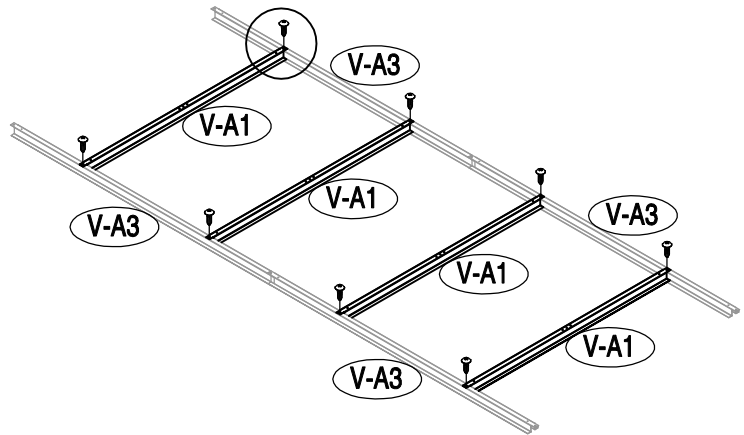
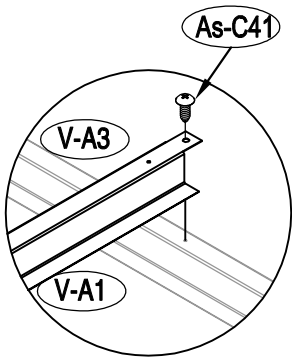




1



2



3

