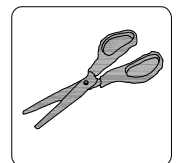
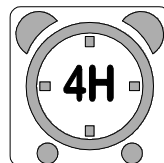
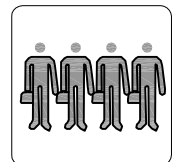
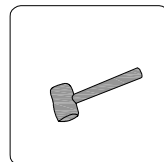
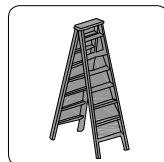
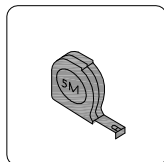
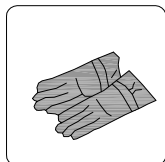
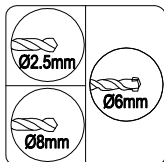
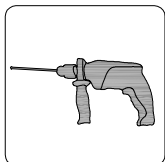
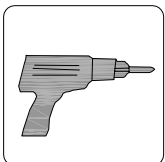


AVE -H 8x9



Assembly Preparation

Owner's Manual

Please check local building codes regarding footings, location and other requirements before beginning construction.

Assembly instructions:

Reviewing all instructions and the appropriate information before you begin, make sure following the step sequence carefully for successful results.

Flooring base:

A good location for the storage building is a square and level area with good drainage. The base is not included in the kit which may need purchase separately or may construct a foundation and anchoring system of your own. The foundation base should be 10 cm larger than the base rail of the shed (minimum 10cm thickness concrete slab is recommended).

A strong plastic sheet (thickness: at least 150µm) should be placed under the foundation to assist in reducing rising dampness from the soil, thus reducing condensation build up in the shed. Your storage building must be anchored to prevent wind damage.

Parts and Parts List:

Before you start, check to be sure that you have all the necessary parts for your building (refer to the Parts List Page). Do not attempt to assemble the building if parts are missing because any building left partially assembled may be seriously damaged by light winds.

Please tear off the safety protection layer before assembly, keep the part number label if needed.

Tools you need:

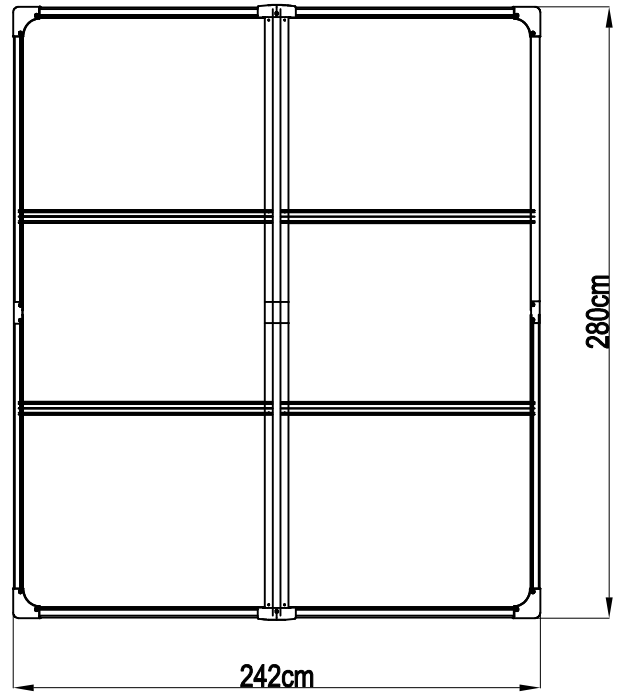
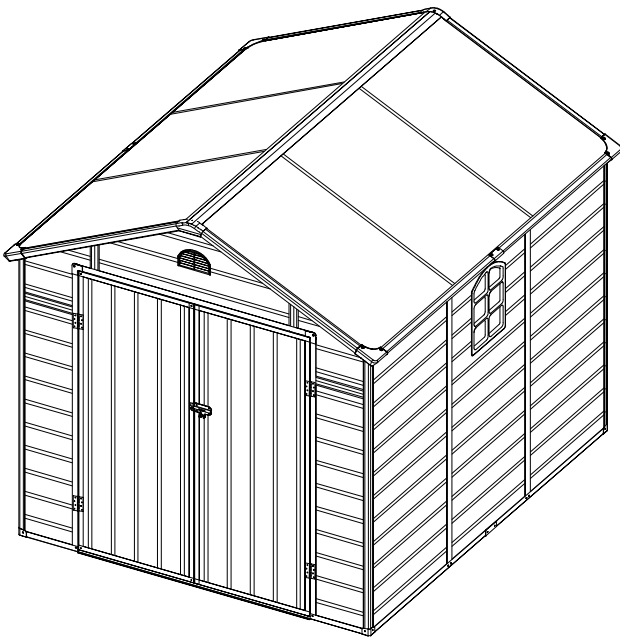
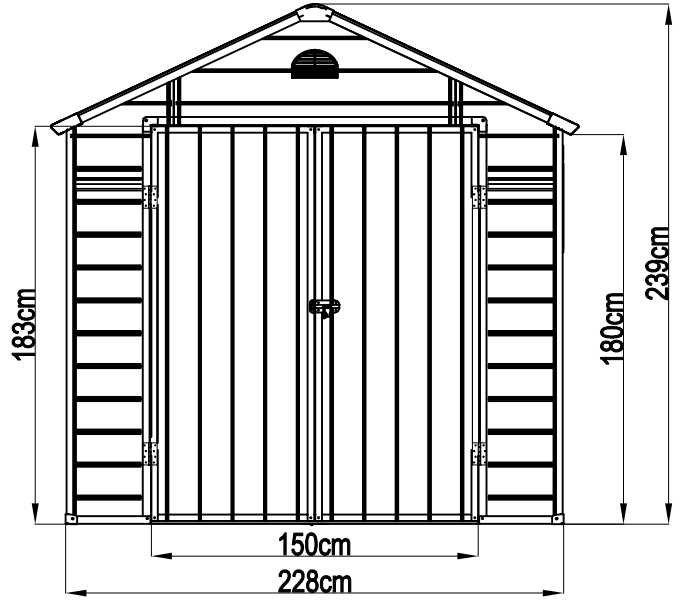
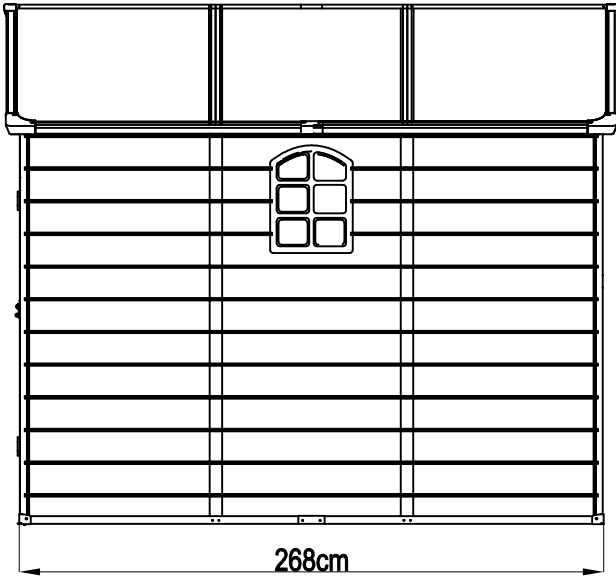


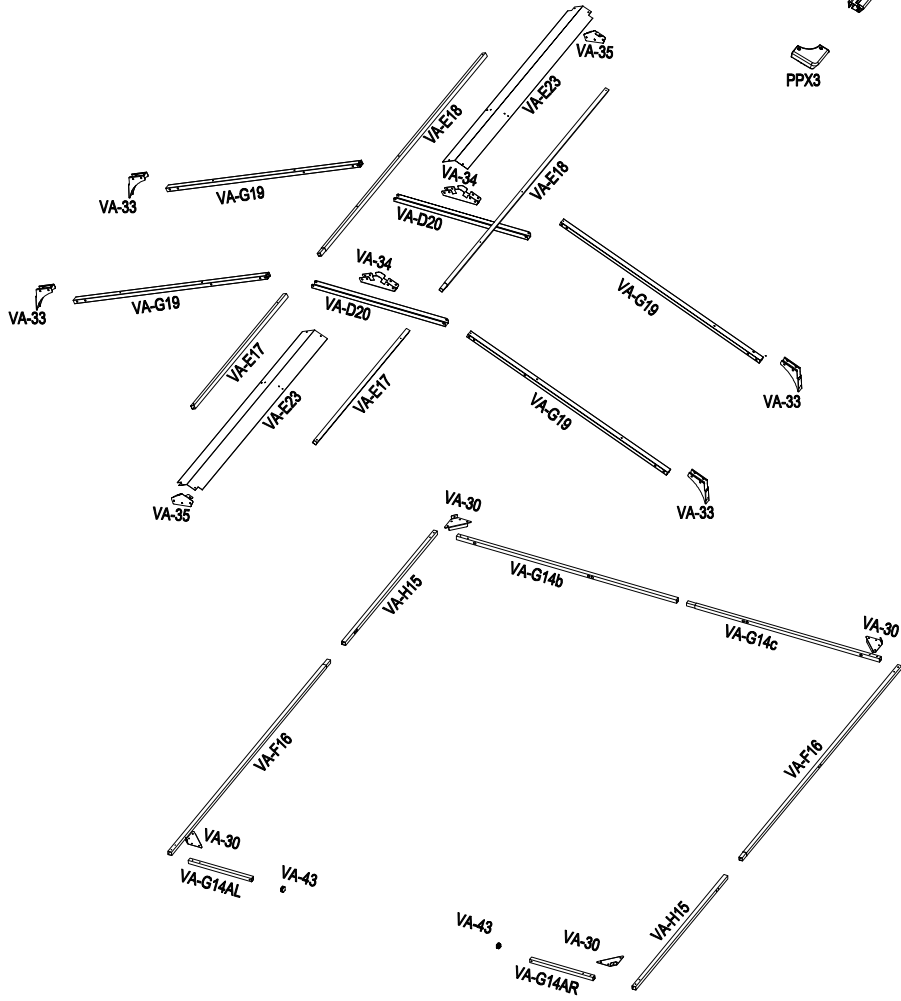
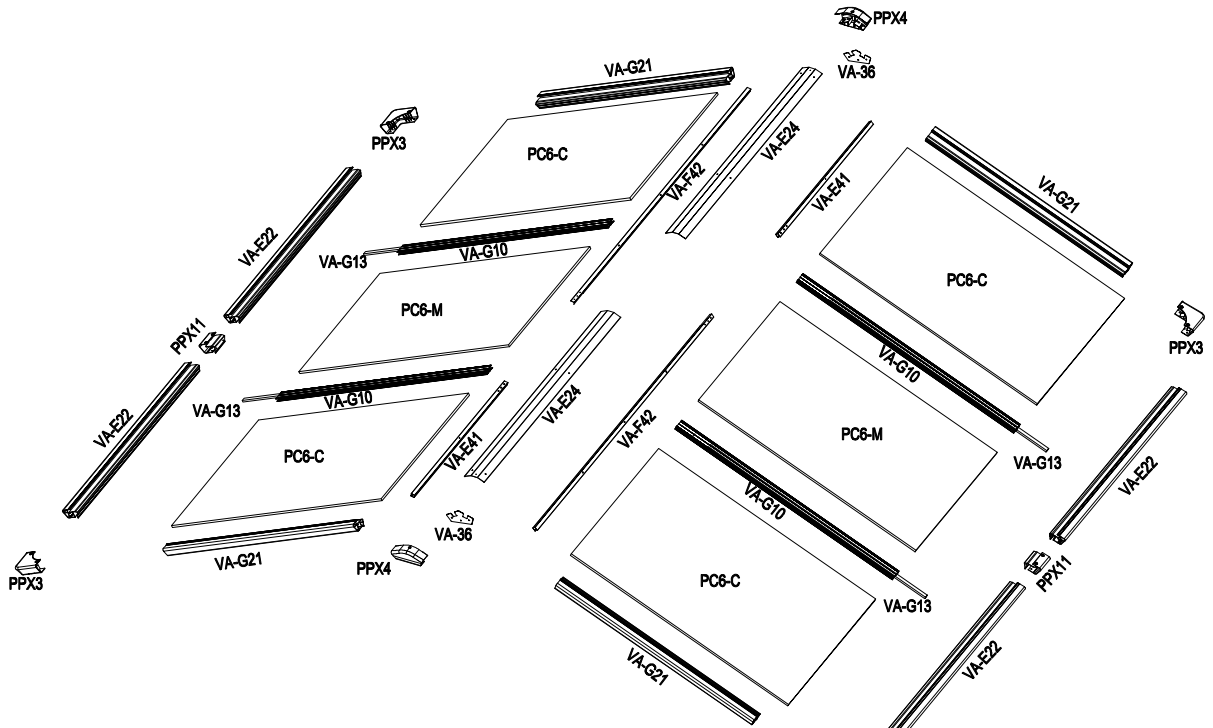
Safety must be put in the No. 1 position:

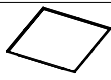

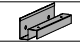


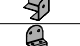


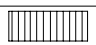
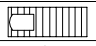

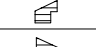

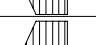




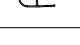
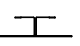
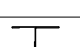
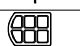

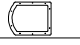

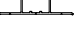
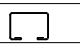





1. Select a dry and calm day for your assembly. Team works (Two or more people) are required during the assembly. It is also recommended to finish the assembly in a day to avoid damage to the product or missing of some small parts. Keep all small parts (screws etc.) in a bowl so they do not get lost.
2. Wearing safety gloves, eye protection and long sleeves during the assembly to prevent injury. Pay attention to the sharp edge of some parts.
3. Children and pets are not allowed entering into the construction site.
4. Never concentrate your total weight on the roof of the building. When using a step ladder make sure that it is safe.







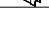




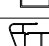
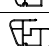
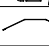







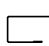


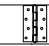













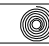
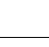
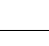
Care & Maintenance:




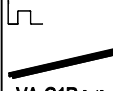
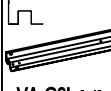

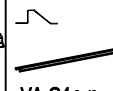



1. Keep the shed clean with soft cloth, use water if necessary.
2. Clean the snow timely with necessary tools to make sure it is safe to enter into.
3. The shed is not made for living but storing stuff.

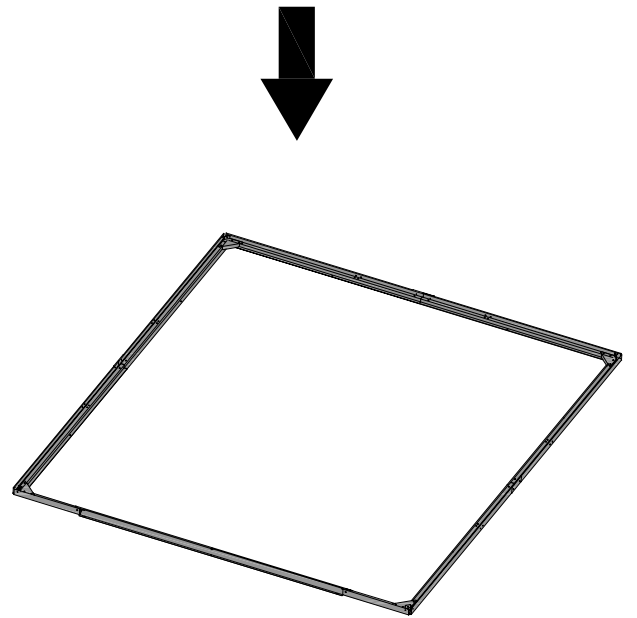
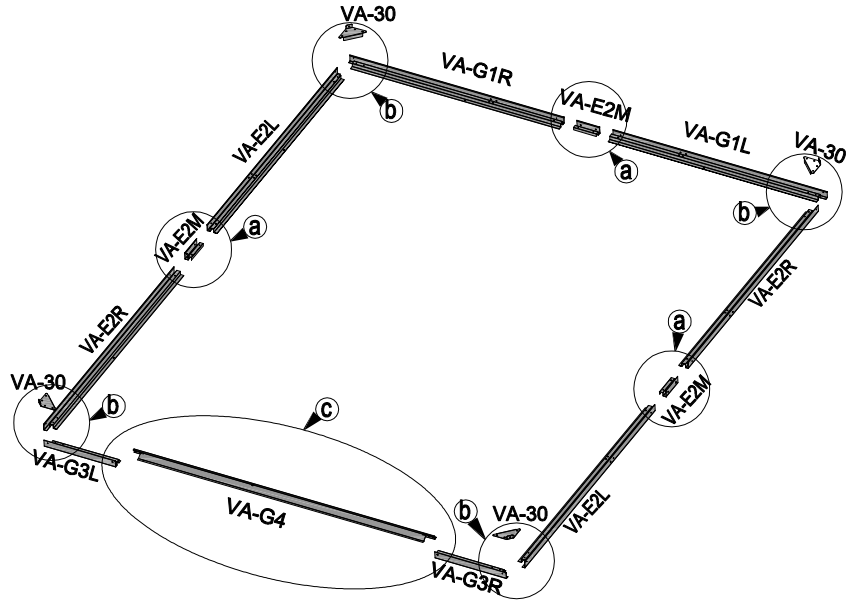
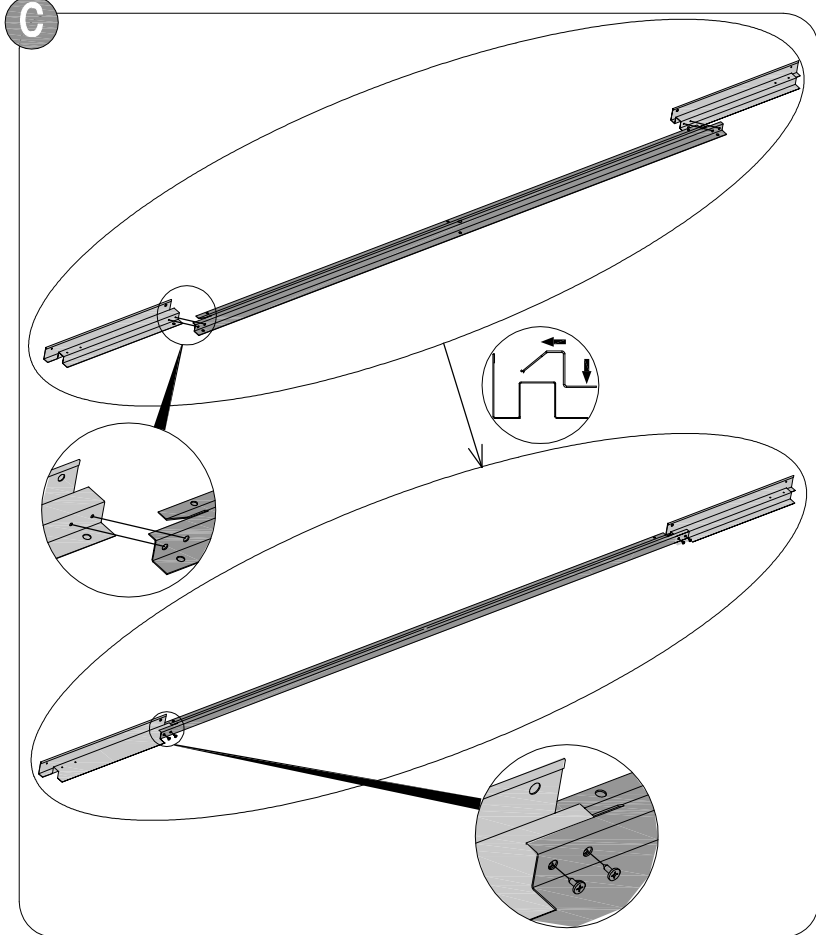
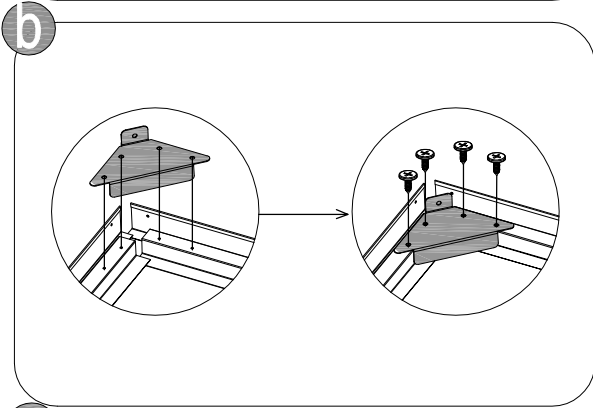
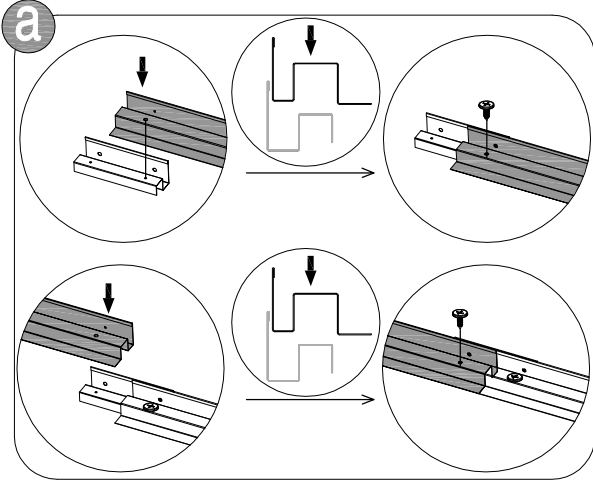




				
VA-G1L		1132mm	x1	3/3
VA-G1R		1132mm	x1	3/3
VA-E2R		1330mm	x2	3/3
VA-E2L		1330mm	x2	3/3
VA-G3R		377mm	x1	3/3
VA-G3L		377mm	x1	3/3
VA-E2M		120mm	x3	3/3
VA-G4		1588mm	x1	3/3
VA-30			x8	2/3
VA-31			x4	2/3
VA-37			x6	2/3
				
PB1		876X1840mm	x5	1/3
PB1S		876X1840mm	x1	1/3
PC2S		1270X542mm	x1	2/3
PC2L		461X492mm	x1	2/3
PC2R		461X492mm	x1	2/3
PC3L		743X1072mm	x1	1/3
PC3R		743X1072mm	x1	1/3
PC3S		743X1248mm	x1	2/3
PC4		743X1100mm	x3	2/3
PC5		365X1548mm	x2	1/3
VA-C7R		1860mm	x2	1/3
VA-C7L		1860mm	x2	1/3
VA-C5		1840mm	x6	3/3
VA-C5c		365mm	x2	3/3
VA-C6b		200mm	x2	3/3
PPX12			x1	2/3
W2S			x1	2/3
PPX13			x1	2/3
VA-G8		738mm	x3	2/3
VA-G9		360mm	x2	2/3
VA-G9b		254mm	x2	2/3
VA-G11		740mm	x3	3/3
VA-G12		362mm	x2	3/3
VA-G12b		225mm	x2	3/3
VA-G14b		1200mm	x1	3/3
VA-G14c		1052mm	x1	3/3
VA-G14AL		345mm	x1	3/3
VA-G14AR		345mm	x1	3/3
VA-H15		970mm	x2	3/3
VA-F16		1678mm	x2	3/3
VA-E17		977mm	x2	3/3
VA-E18	1745mm	x2	3/3	
VA-G19		1181mm	x4	3/3
VA-D20		725mm	x2	3/3
VA-33			x4	3/3
VA-34			x2	3/3
VA-E23		1348mm	x2	3/3
VA-36			x2	2/3

VA-32R			x2	2/3
VA-32L			x2	2/3
VA-35			x2	2/3
VA-43			x2	2/3
PPX14			x2	2/3
PPX8			x2	2/3
PPX9			x2	2/3
				
PC6-C		1285X920mm	x4	2/3
PC6-M		1285X856mm	x2	2/3
VA-G10		1285mm	x4	2/3
VA-G13		1285mm	x4	3/3
VA-G21		1165mm	x4	2/3
VA-E22		1282mm	x4	3/3
VA-E24		1440mm	x2	3/3
VA-E41		983mm	x2	3/3
VA-F42		1862mm	x2	3/3
PPX3			x4	2/3
PPX4			x2	2/3
PPX11			x2	2/3
				
VA-C25R		1830mm	x1	3/3
VA-C25L		1830mm	x1	3/3
VA-G26		1508mm	x1	3/3
VA-C27		1812mm	x3	3/3
VA-G28		747mm	x4	3/3
VA-C29		1812mm	x1	3/3
PC7S		1810X746mm	x2	1/3
VA-41			x4	2/3
VA-38a			x2	2/3
VA-38b			x2	2/3
VA-39			x2	2/3
VA-40			x1	2/3
CN-A33			x2	2/3
PA01			x3	2/3
VA-H44		ST4.2x13mm	x370	2/3
VA-H45		ST4.2x19mm	x119	2/3
VA-H46		ST4.2x13mm	x51	2/3
VA-H47		ST4.2x19mm	x4	2/3
VA-H48		ST6.0x40mm	x15	2/3
VA-H49		ST4.2x13mm	x18	2/3
VA-H50		M6x40mm	x20	2/3
VA-51			x1	2/3
VA-H52			x2	2/3
VA-53			x2	2/3

1	 VA-E2L [x2] 1330mm	 VA-E2R [x2] 1330mm	 VA-G1L [x1] 1132mm	 VA-G1R [x1] 1132mm	 VA-G3L [x1] 377mm	 VA-G3R [x1] 377mm	 VA-G4 [x1] 1588mm	 VA-E2M [x3] 120mm	 VA-30 [x4]	 VA-H44 [x26] 13mm
----------	------------------------------------------------------------------------------------------------------------	------------------------------------------------------------------------------------------------------------	------------------------------------------------------------------------------------------------------------	------------------------------------------------------------------------------------------------------------	-----------------------------------------------------------------------------------------------------------	-----------------------------------------------------------------------------------------------------------	------------------------------------------------------------------------------------------------------------	-------------------------------------------------------------------------------------------------------------	---------------------------------------------------------------------------------------------------	-------------------------------------------------------------------------------------------------------------



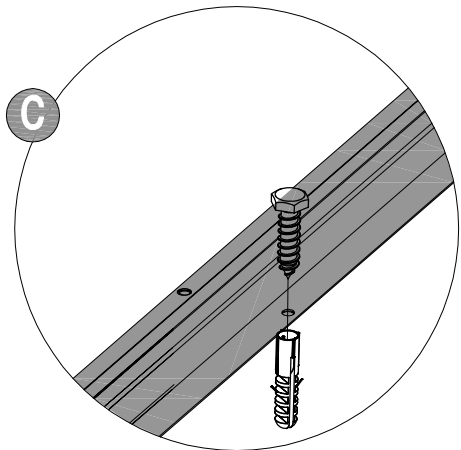
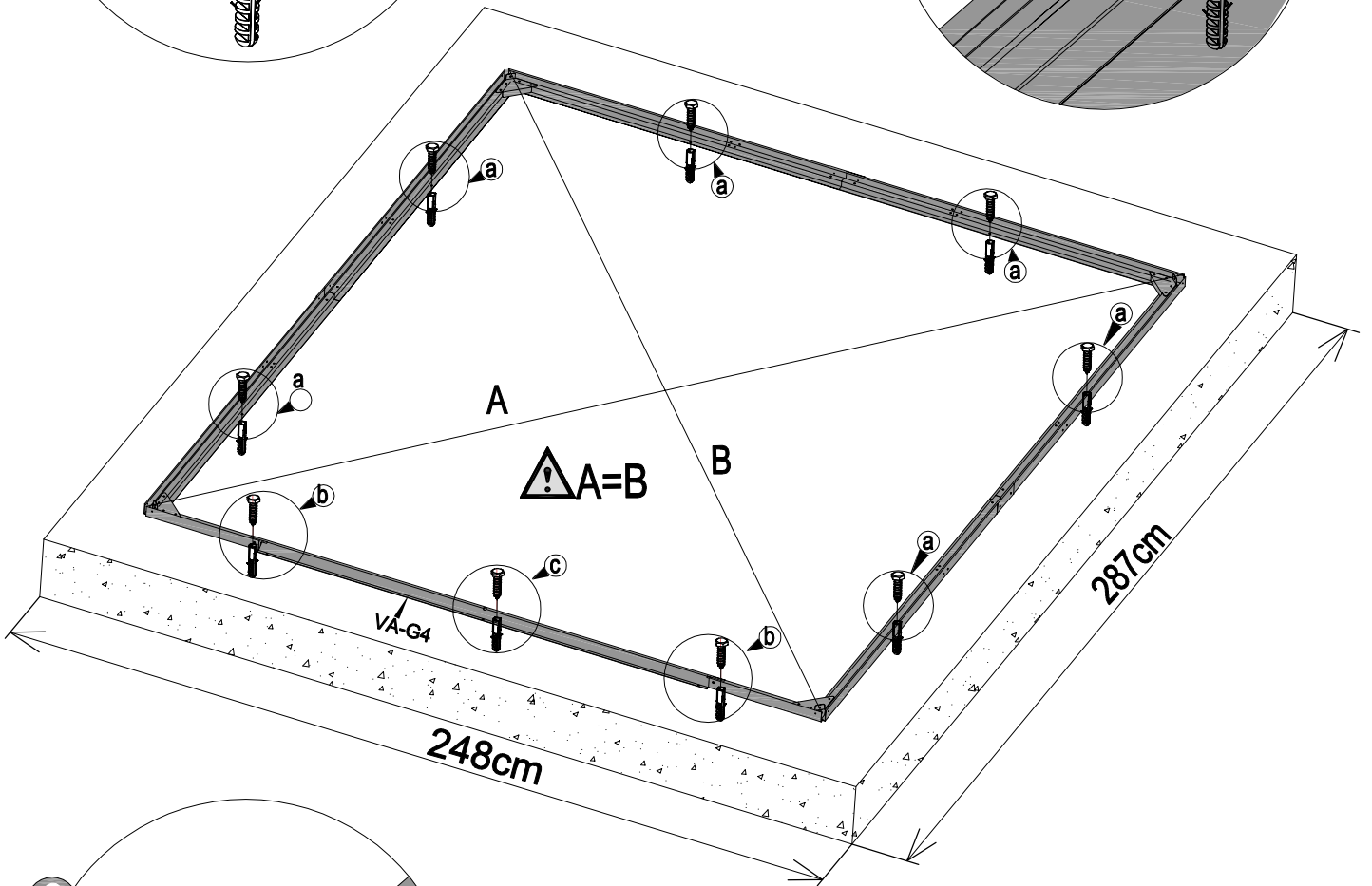
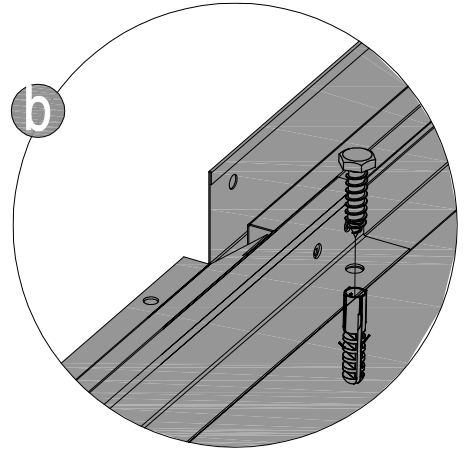
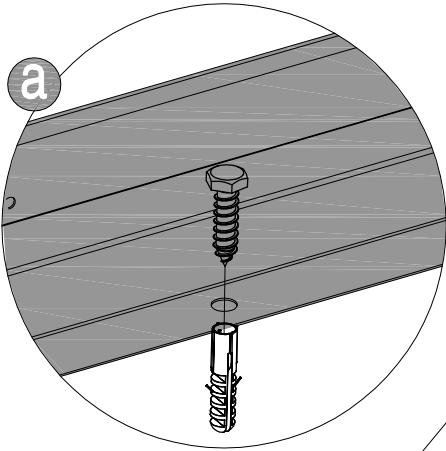
2

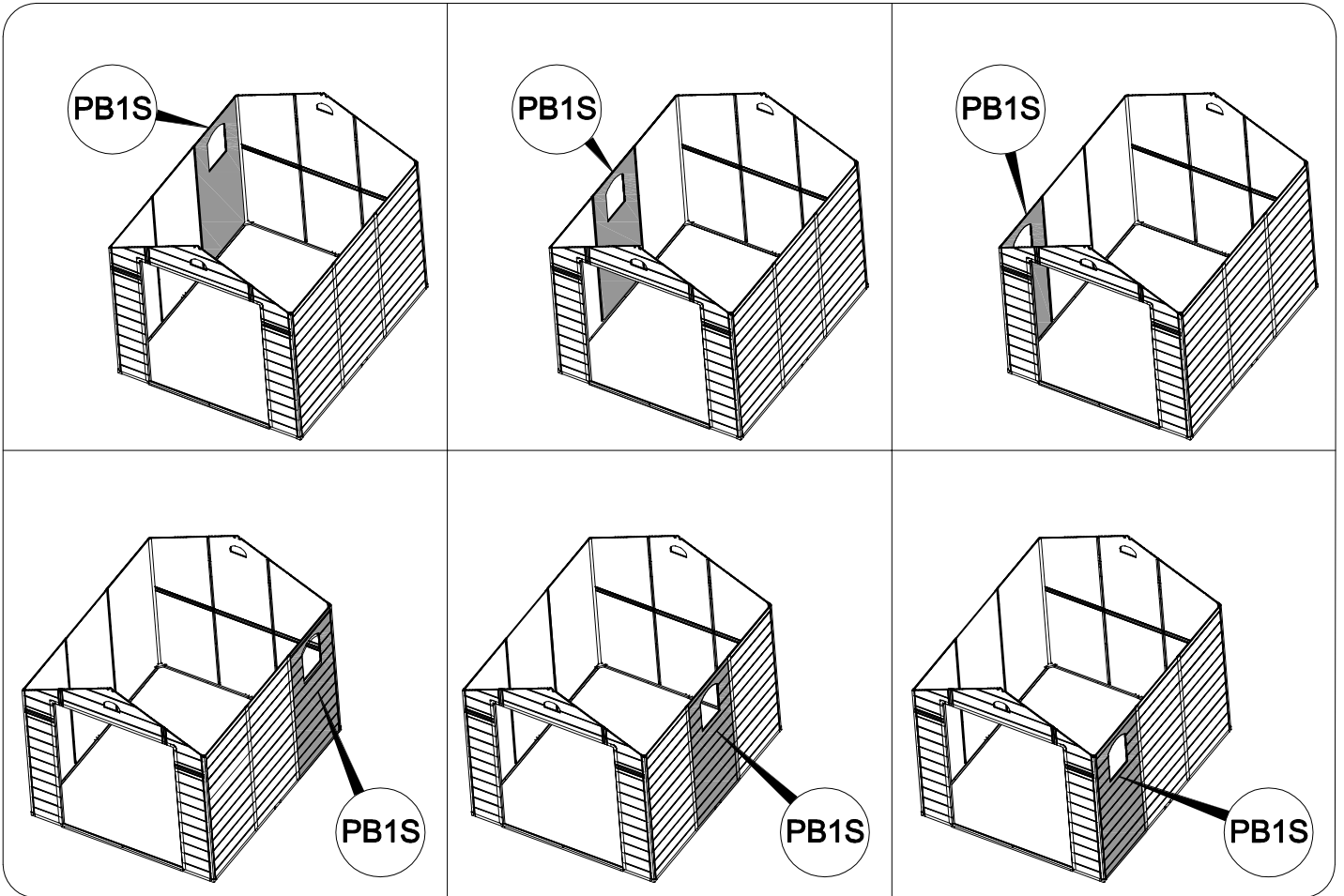



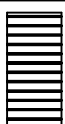


VA-H48 [x9]
40mm

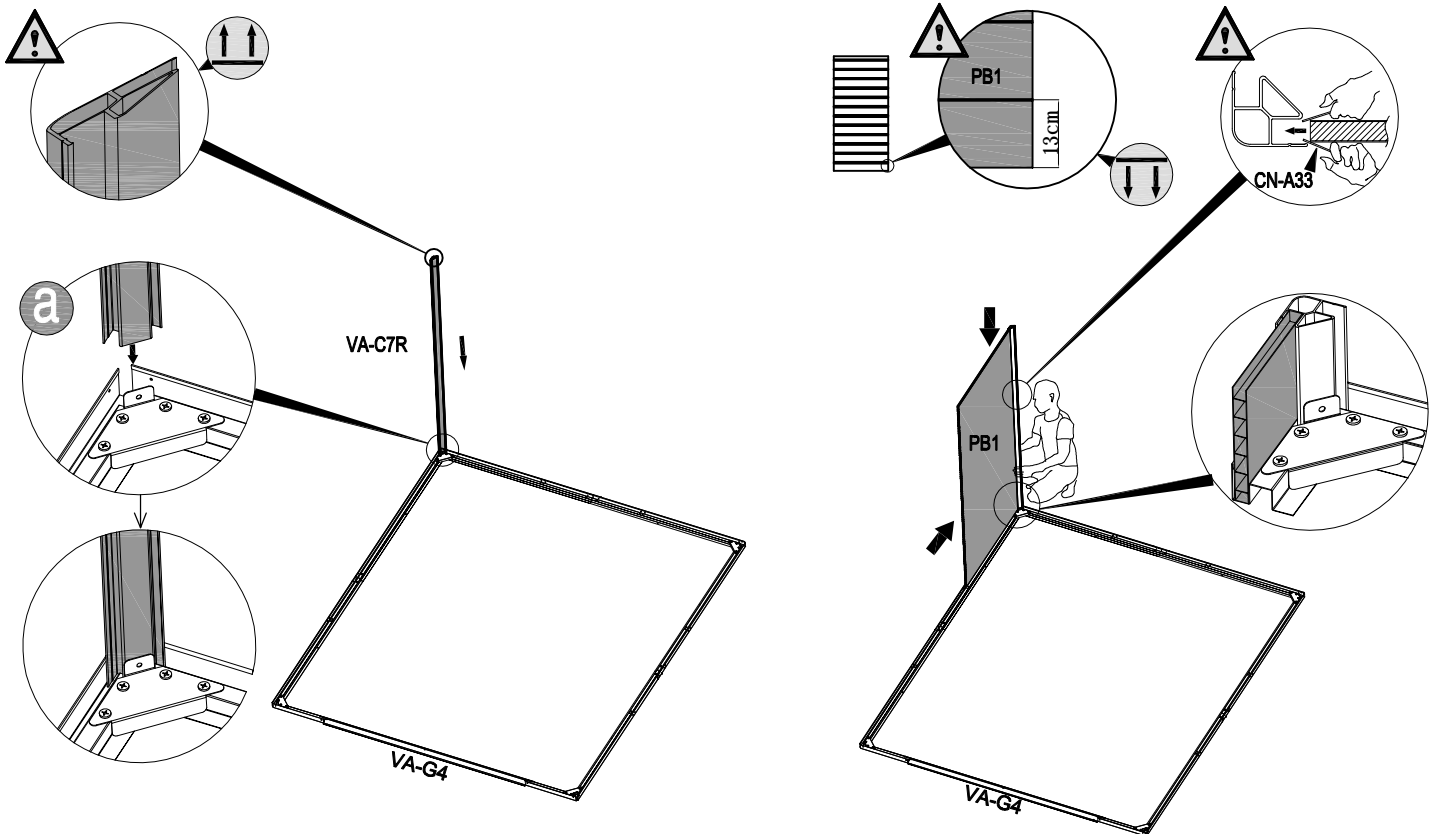






Ø6mm

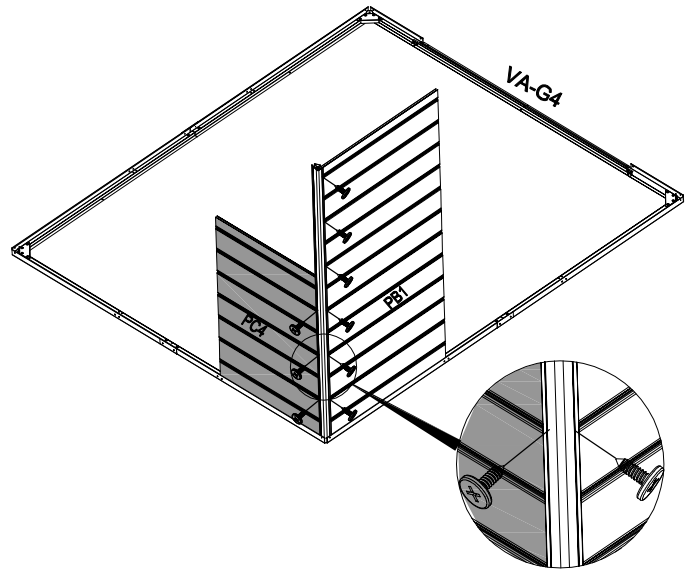
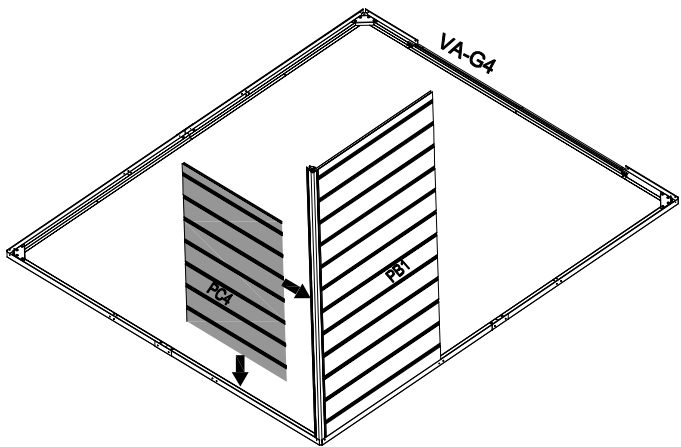
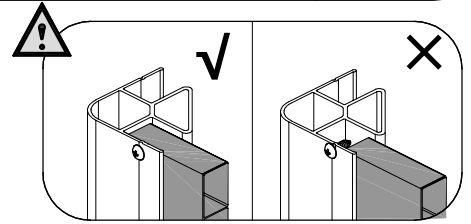
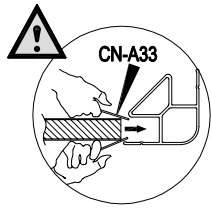
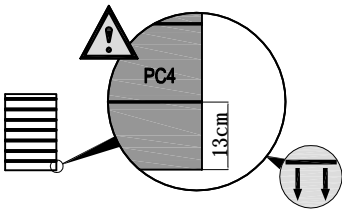



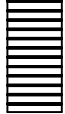


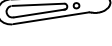



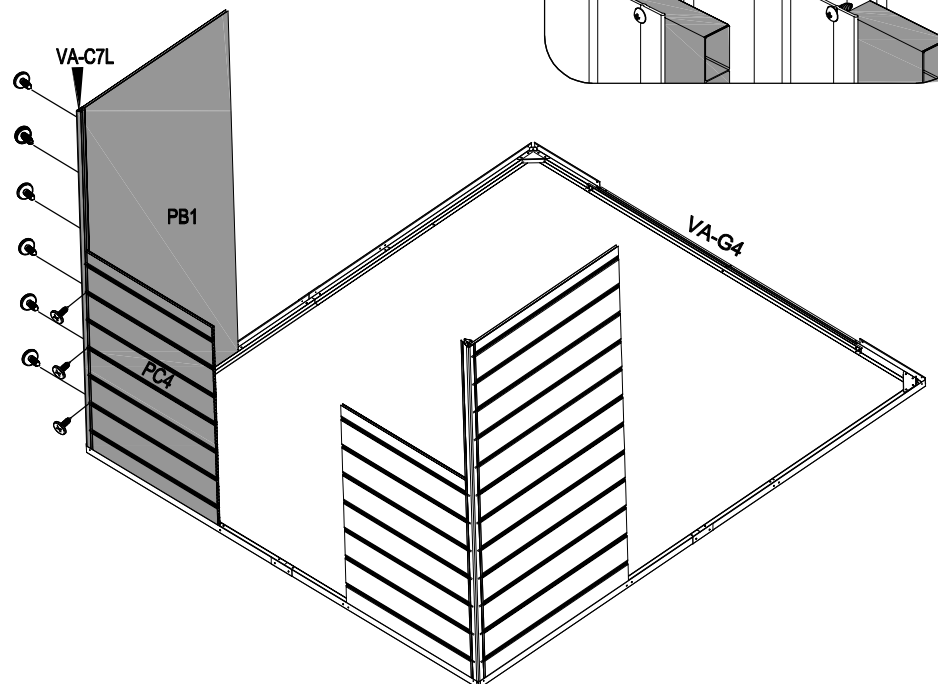
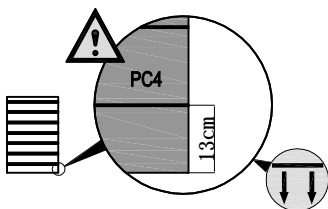
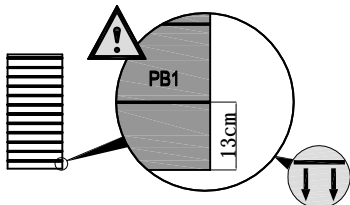
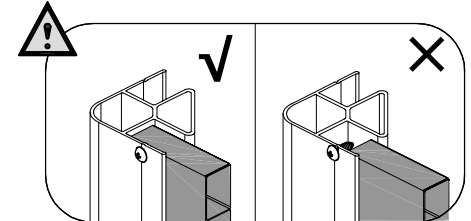
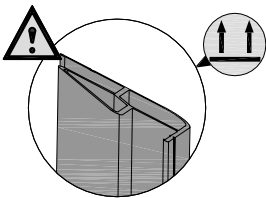
<p>3</p>	 <p>VA-C7R [x1] 1860mm</p>	 <p>PB1 [x1] 876x1840mm</p>	 <p>CN-A33</p>	
-----------------	-------------------------------------------------------------------------------------------------------------------	--------------------------------------------------------------------------------------------------------------------	---------------------------------------------------------------------------------------------------	---------------------------------------------------------------------------------------






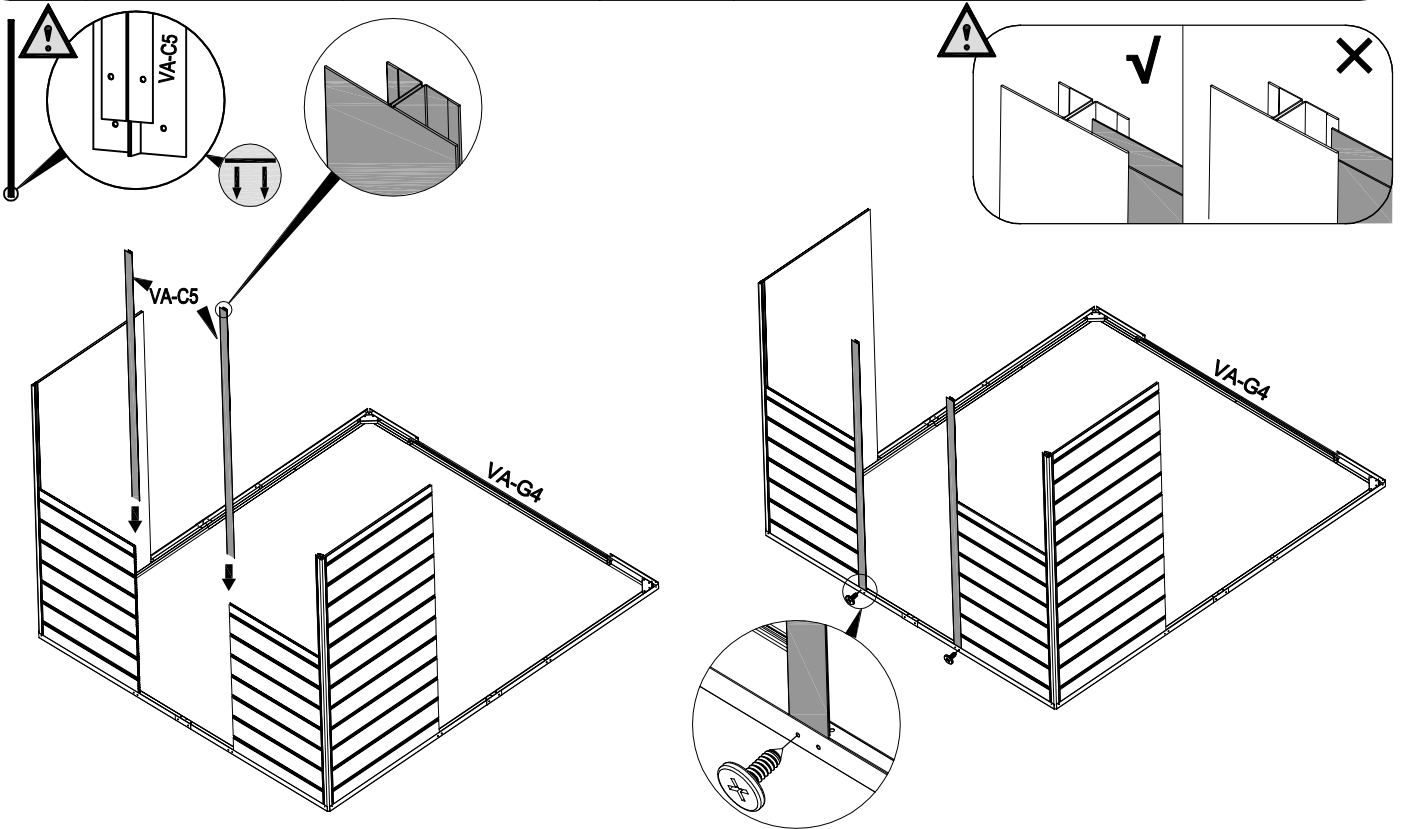
4	 PC4 [x1] 743x1100mm	 VA-H45 [x9] 19mm	 CN-A33	
----------	--------------------------------------------------------------------------------------------------------------------	-----------------------------------------------------------------------------------------------------------------	----------------------------------------------------------------------------------------------------	-------------------------------------------------------------------------------------



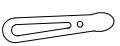



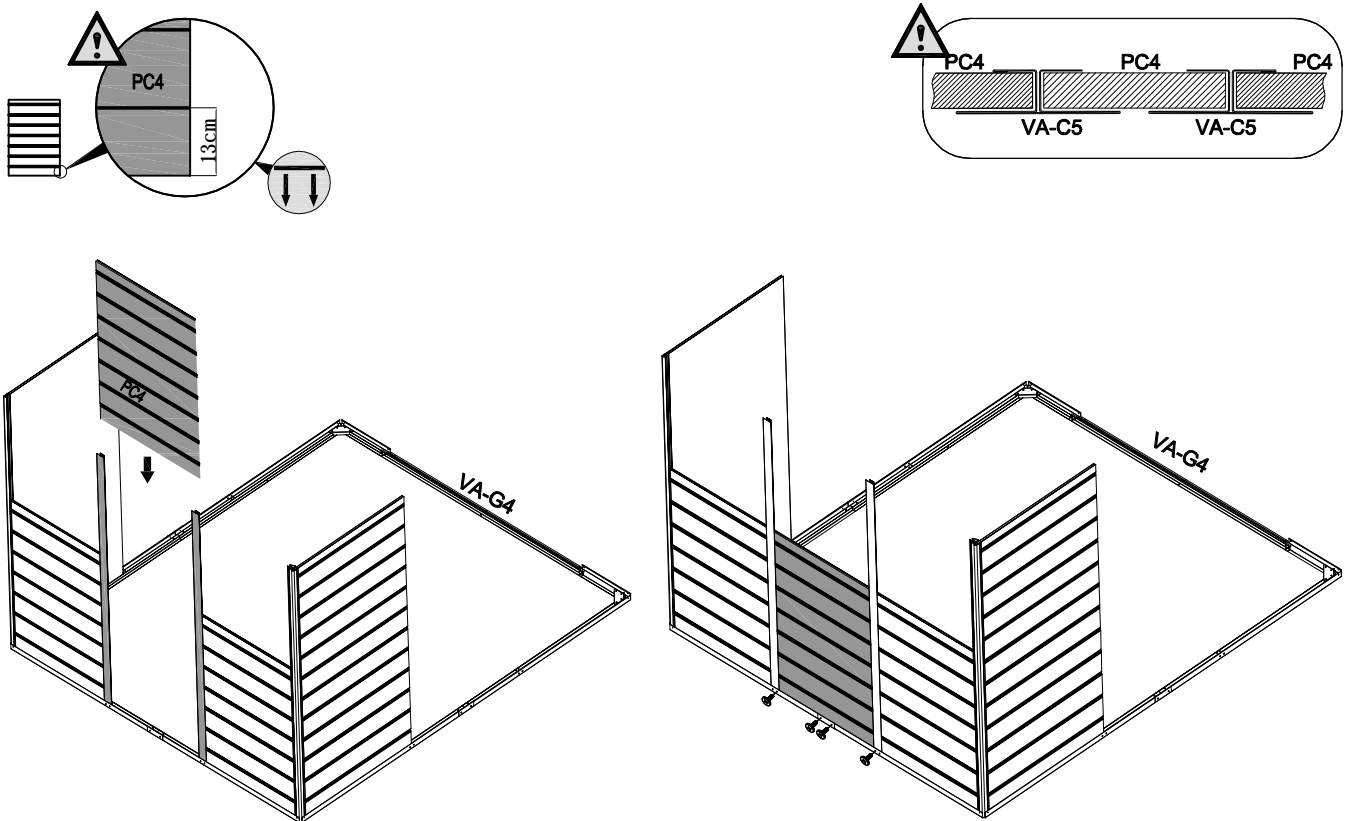
5	 VA-C7L [x1] 1860mm	 PB1 [x1] 876x1840mm	 PC4 [x1] 743x1100mm	 VA-H45 [x9] 19mm	 CN-A33	
----------	---------------------------------------------------------------------------------------------------------------------	----------------------------------------------------------------------------------------------------------------------	----------------------------------------------------------------------------------------------------------------------	---------------------------------------------------------------------------------------------------------------------	--------------------------------------------------------------------------------------------------------	---------------------------------------------------------------------------------------


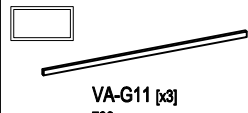


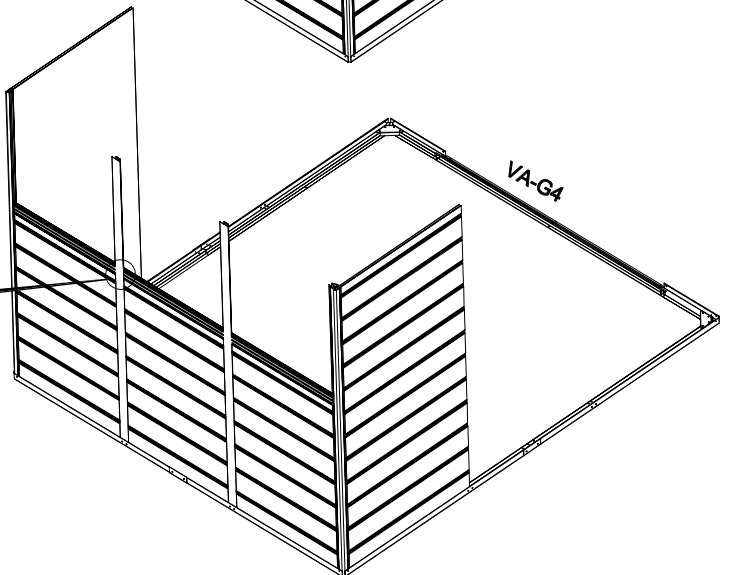
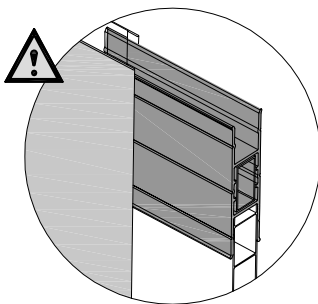
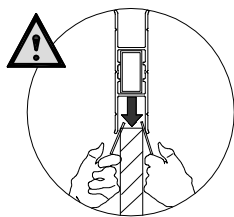
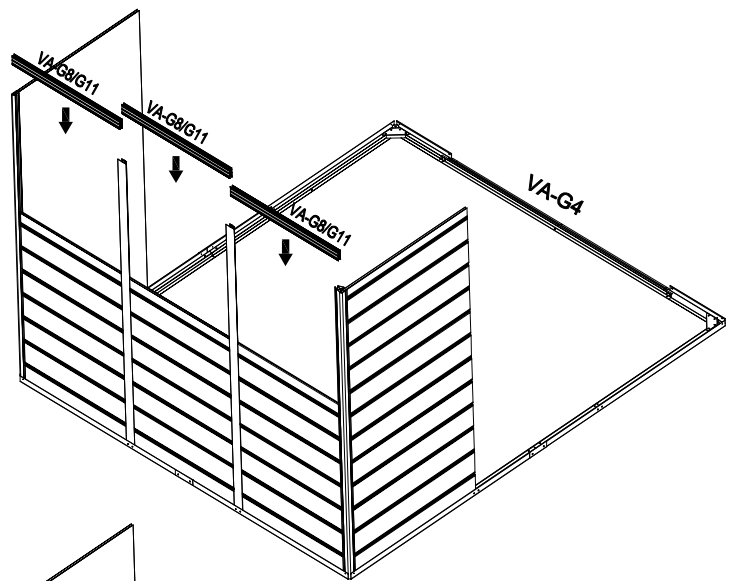
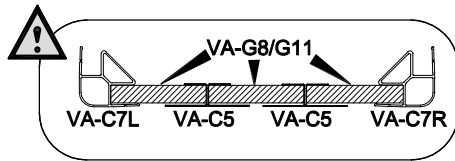
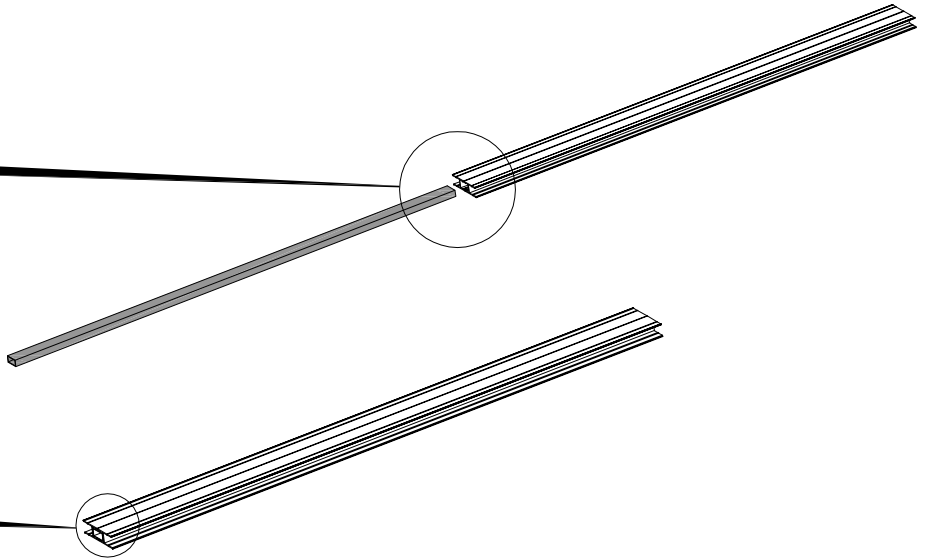
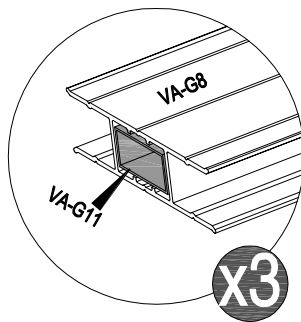
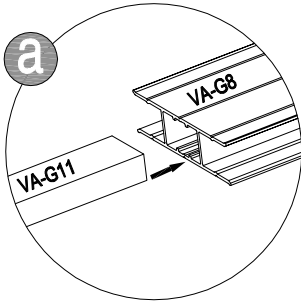
6	 VA-C5 [x2] 1840mm	 VA-H44 [x2] 13mm	 CN-A33	
----------	------------------------------------------------------------------------------------------------------------------	-----------------------------------------------------------------------------------------------------------------	----------------------------------------------------------------------------------------------------	--

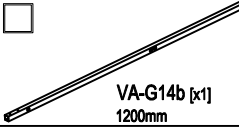
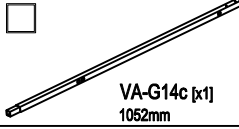
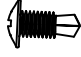


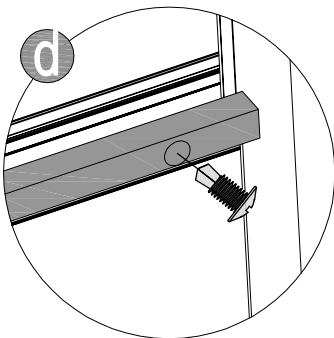
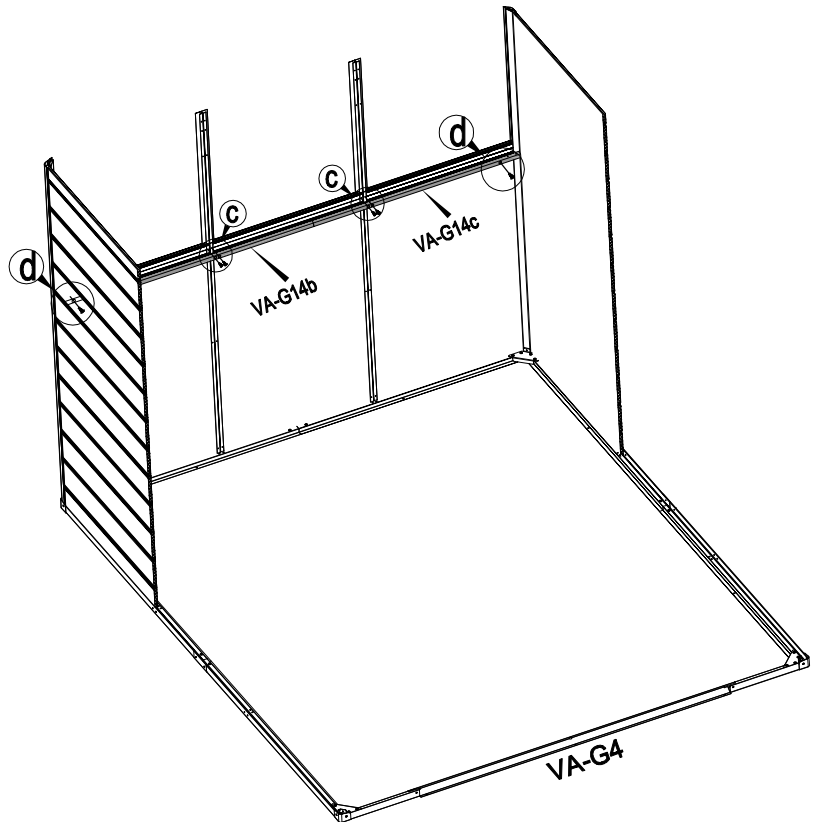
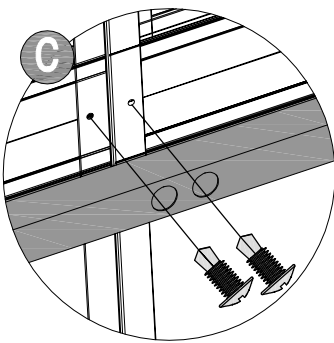
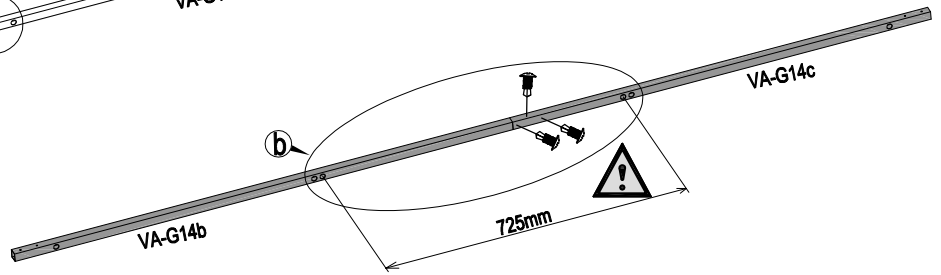
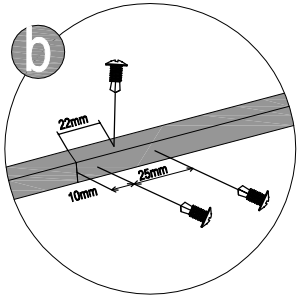
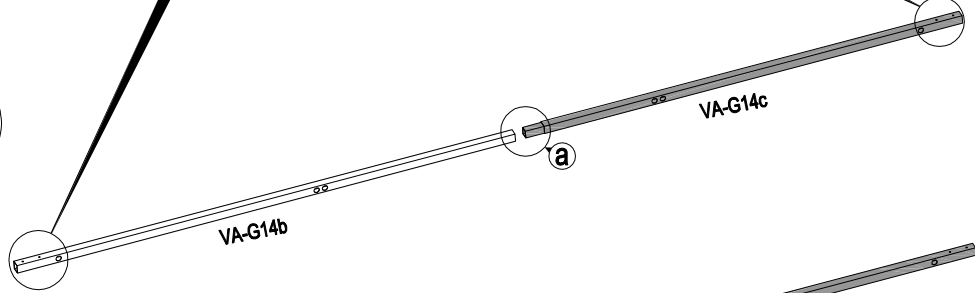
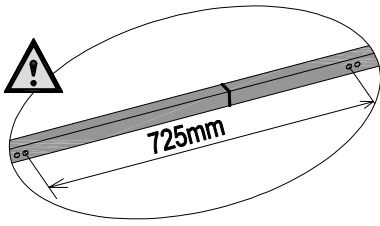
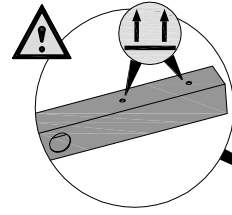
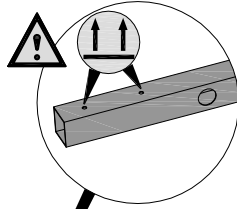
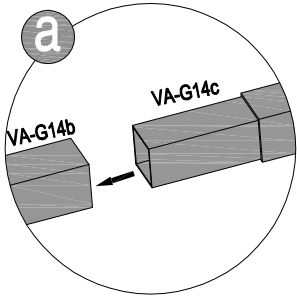
7	 PC4 [x1] 743x1100mm	 VA-H44 [x4] 13mm	 CN-A33	
----------	----------------------------------------------------------------------------------------------------------------------	-------------------------------------------------------------------------------------------------------------------	------------------------------------------------------------------------------------------------------	---------------------------------------------------------------------------------------


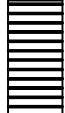






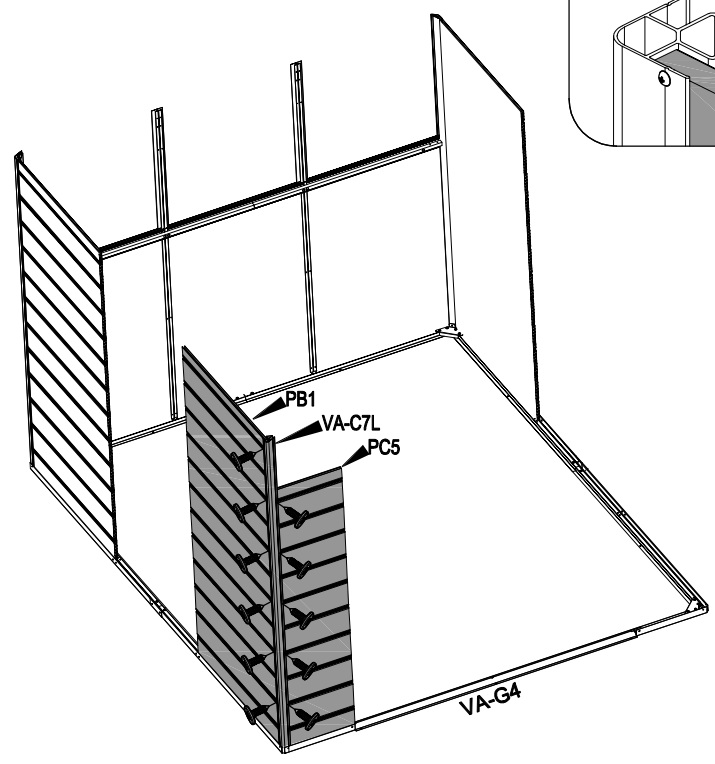
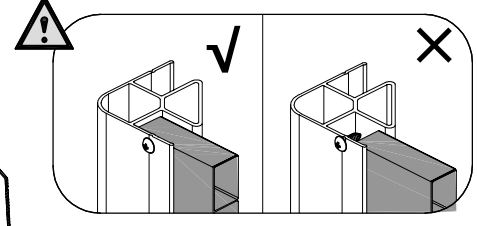
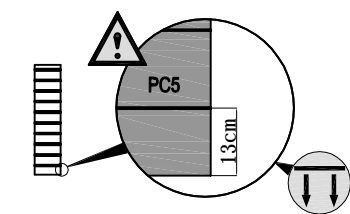
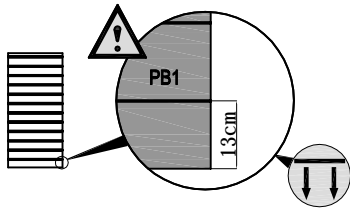
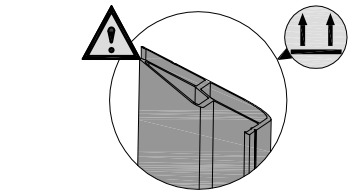
8	 VA-G8 [x3] 738mm	 VA-G11 [x3] 738mm		
----------	----------------------------------------------------------------------------------------------------------	-----------------------------------------------------------------------------------------------------------	--	--


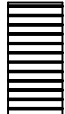






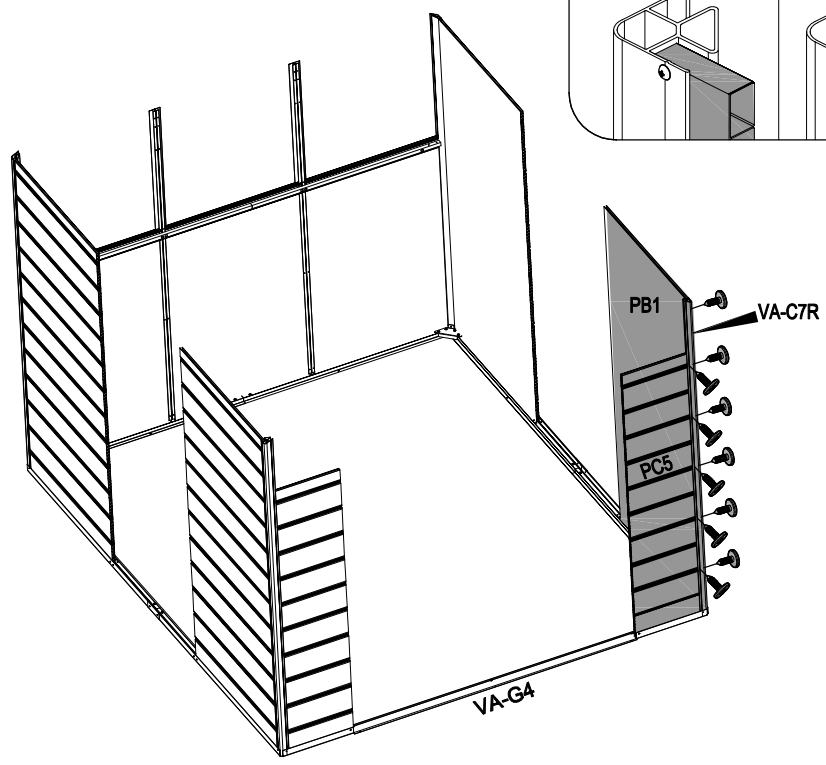
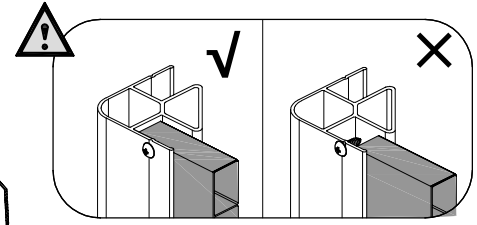
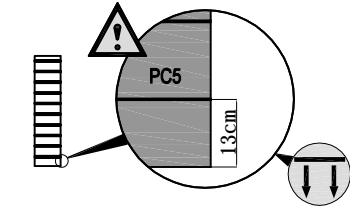
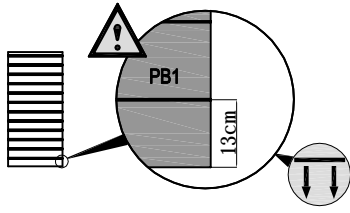
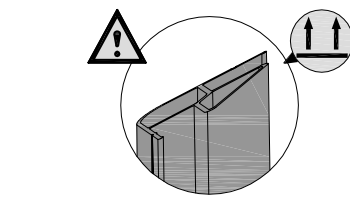
9	 VA-G14b [x1] 1200mm	 VA-G14c [x1] 1052mm	 VA-H46 [x9] 13mm			
---	-------------------------------------------------------------------------------------------------------------	-------------------------------------------------------------------------------------------------------------	----------------------------------------------------------------------------------------------------------	--	--	--



10						
	VA-C7L [x1] 1860mm	PB1 [x1] 876x1840mm	PC5 [x1] 365x1548mm	VA-H45 [x11] 19mm	CN-A33	



11						
	VA-C7R [x1] 1860mm	PB1 [x1] 876x1840mm	PC5 [x1] 365x1548mm	VA-H45 [x11] 19mm	CN-A33	



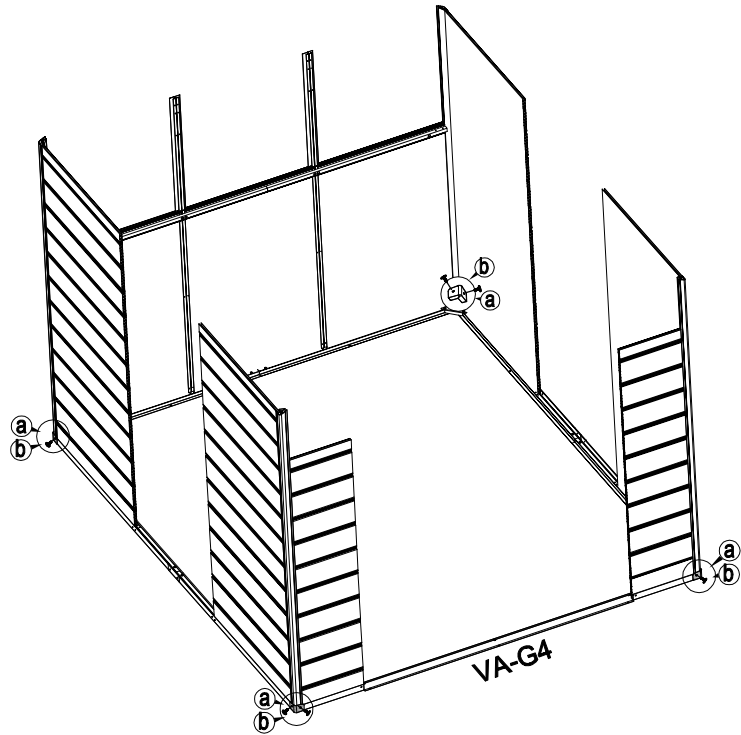
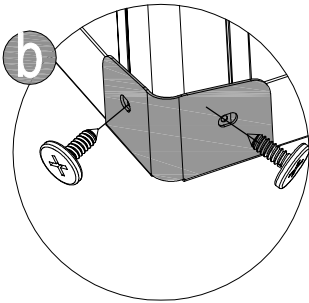
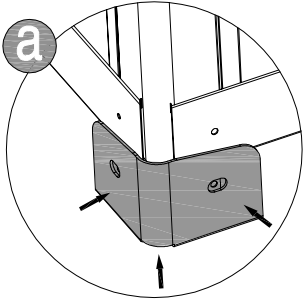
12



VA-31 [x4]



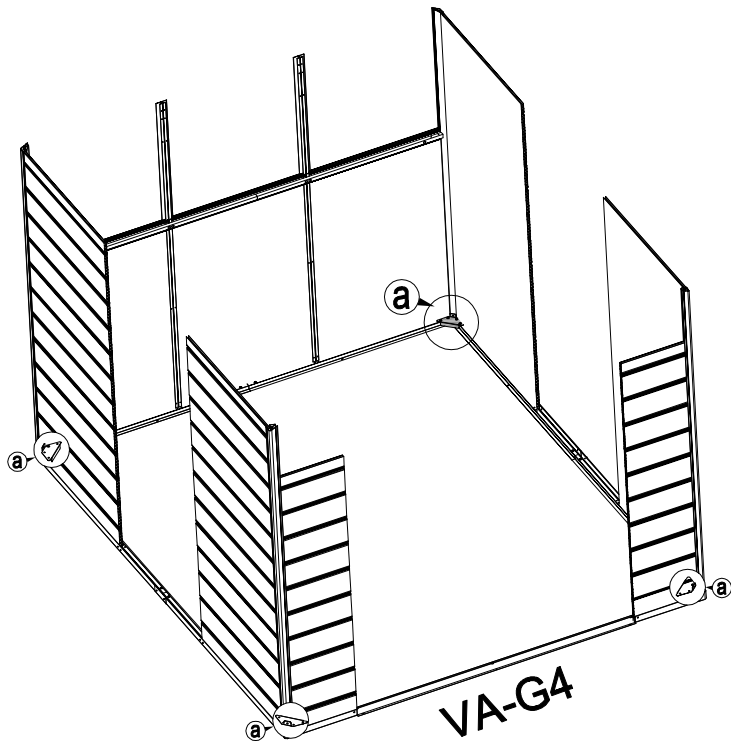
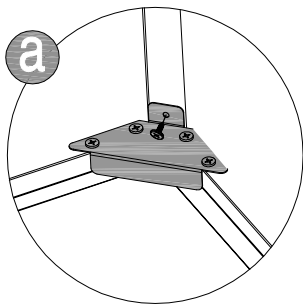
VA-H44 [x8]
13mm



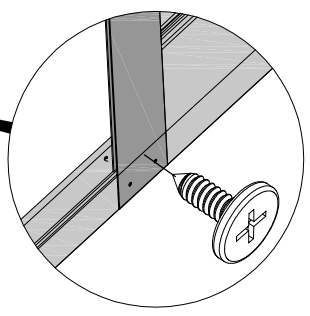
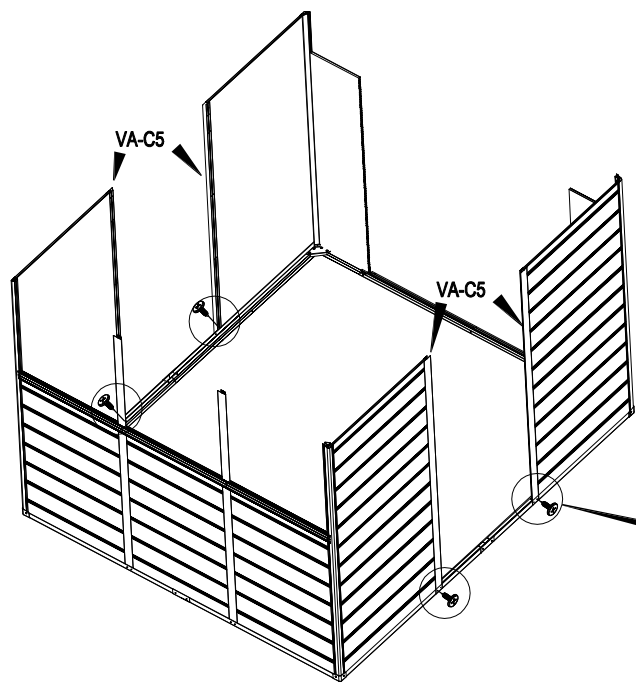
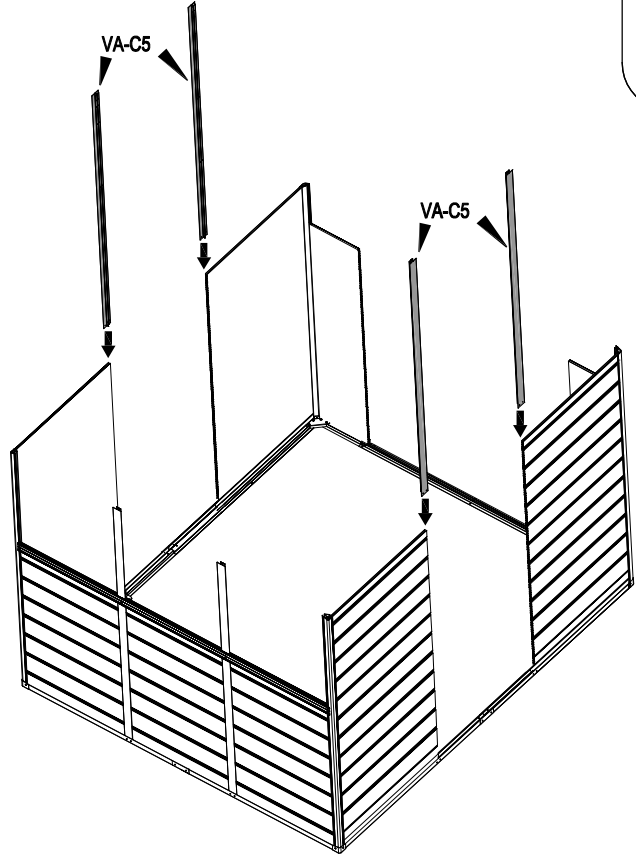
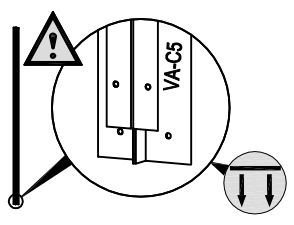
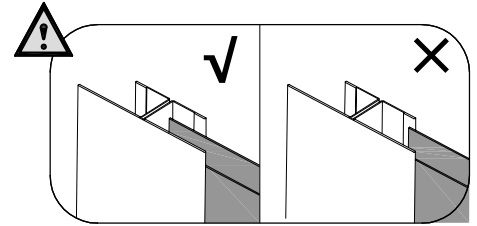
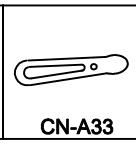
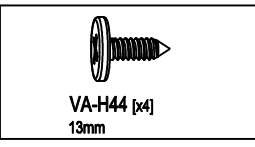
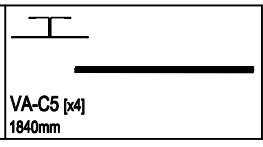
13



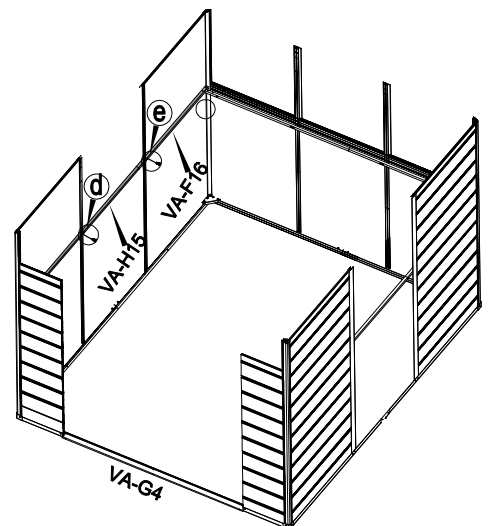
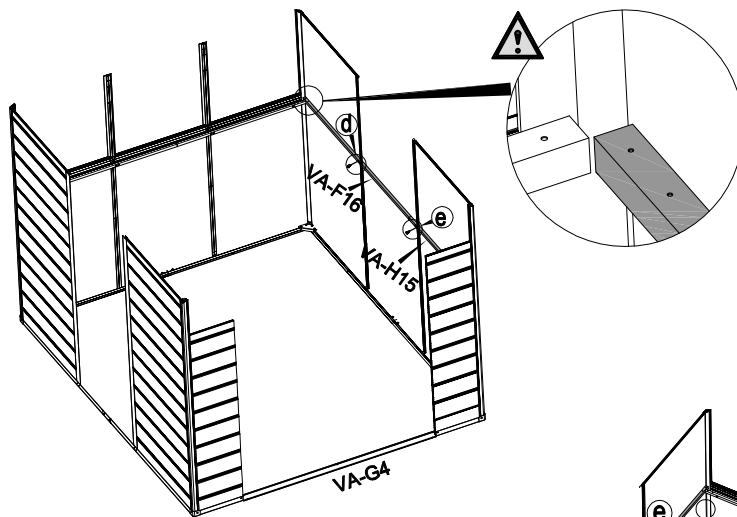
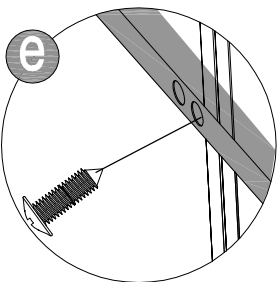
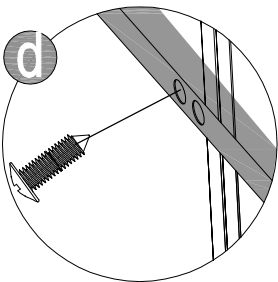
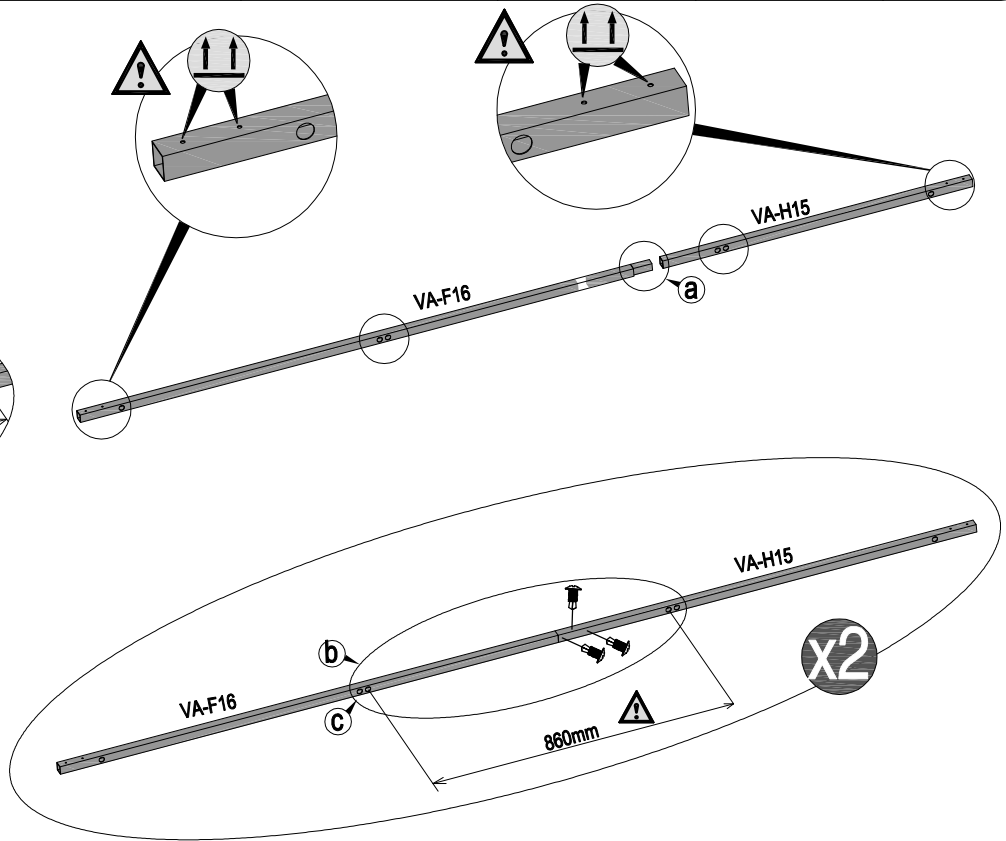
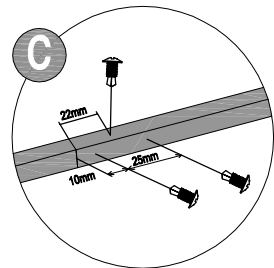
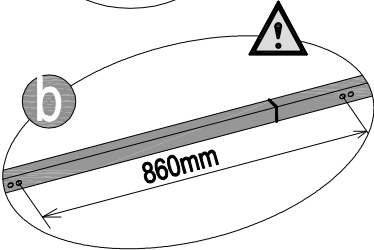
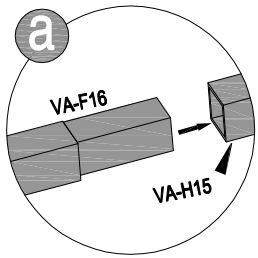
VA-H44 [x4]
13mm



14



15						
	VA-H15 [x1] 970mm	VA-F16 [x1] 1678mm	VA-H46 [x6] 13mm	VA-H49 [x4] 13mm		



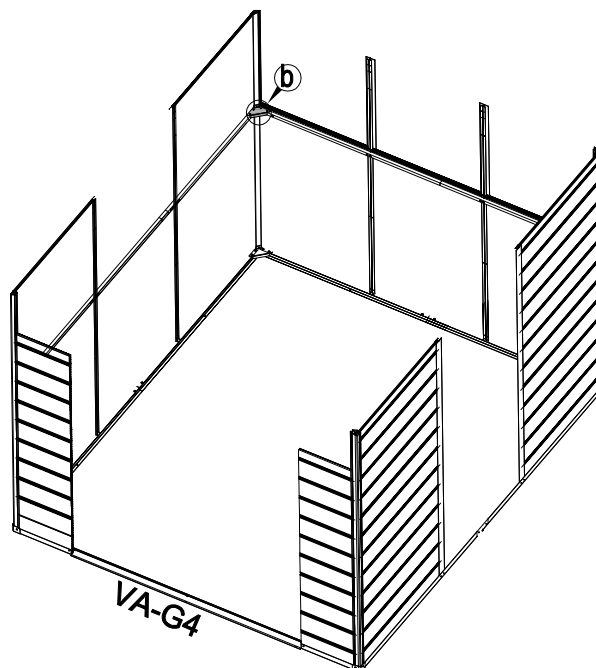
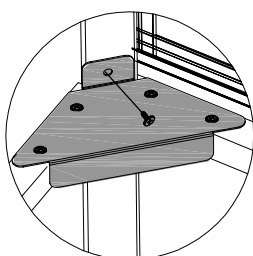
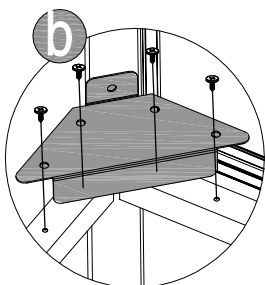
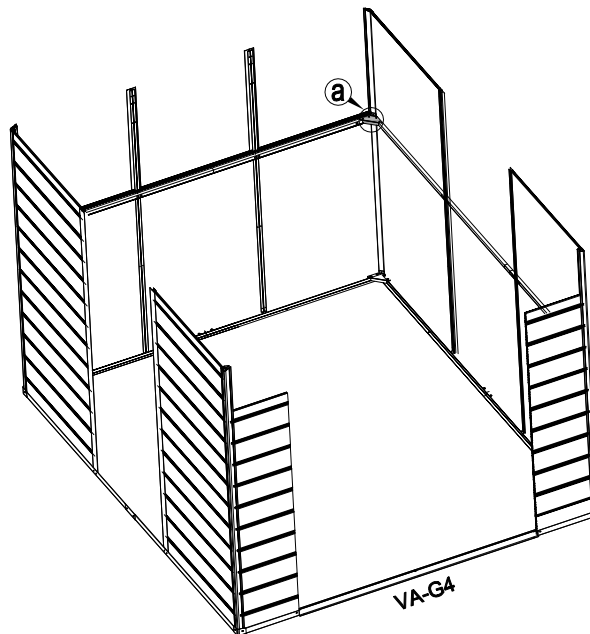
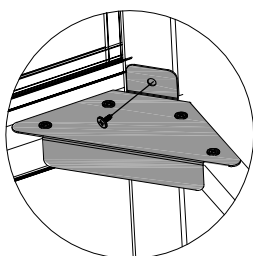
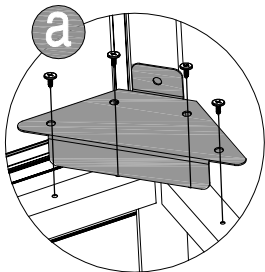
16

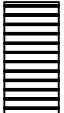


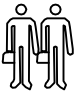


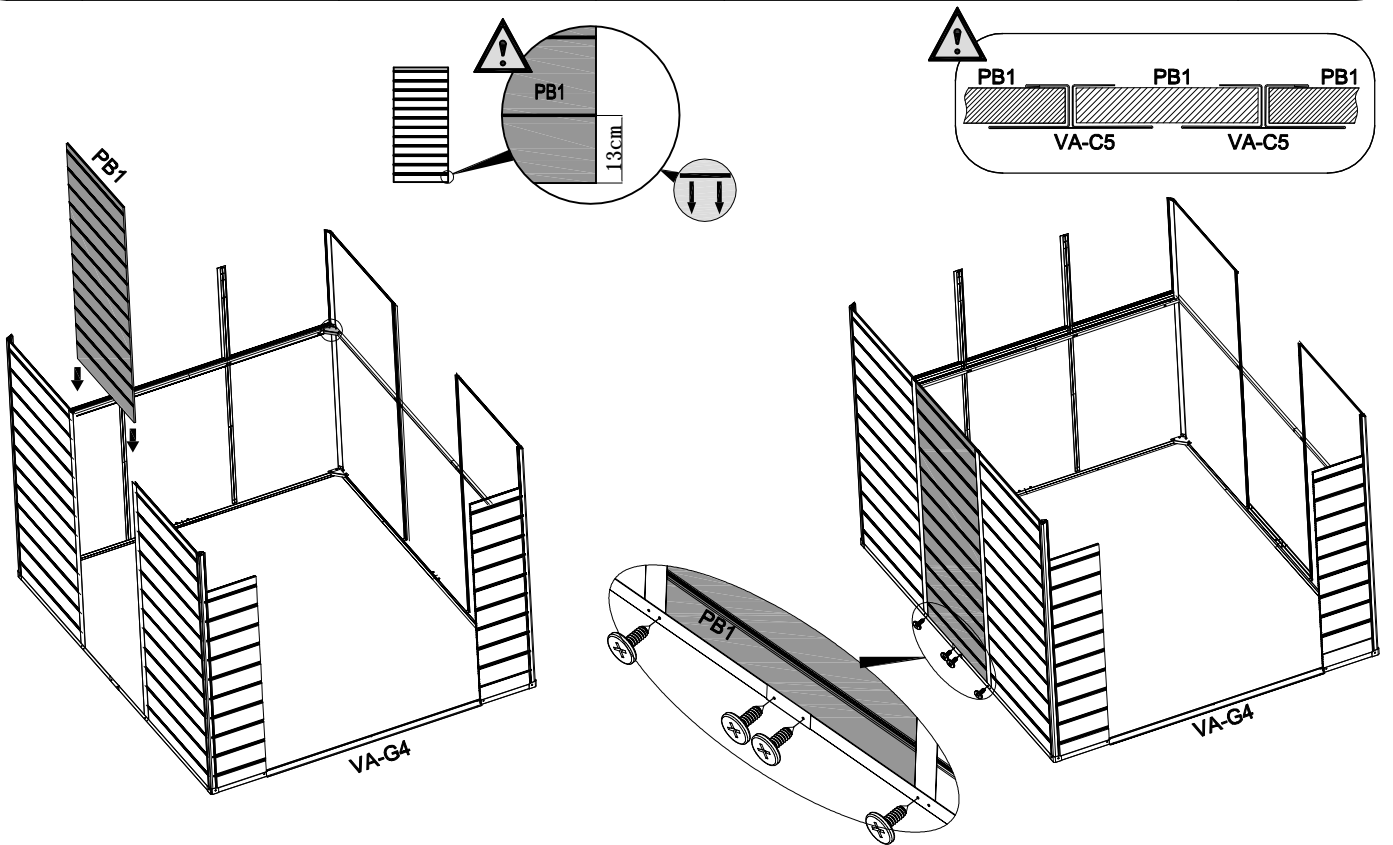
VA-30 [x2]

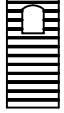





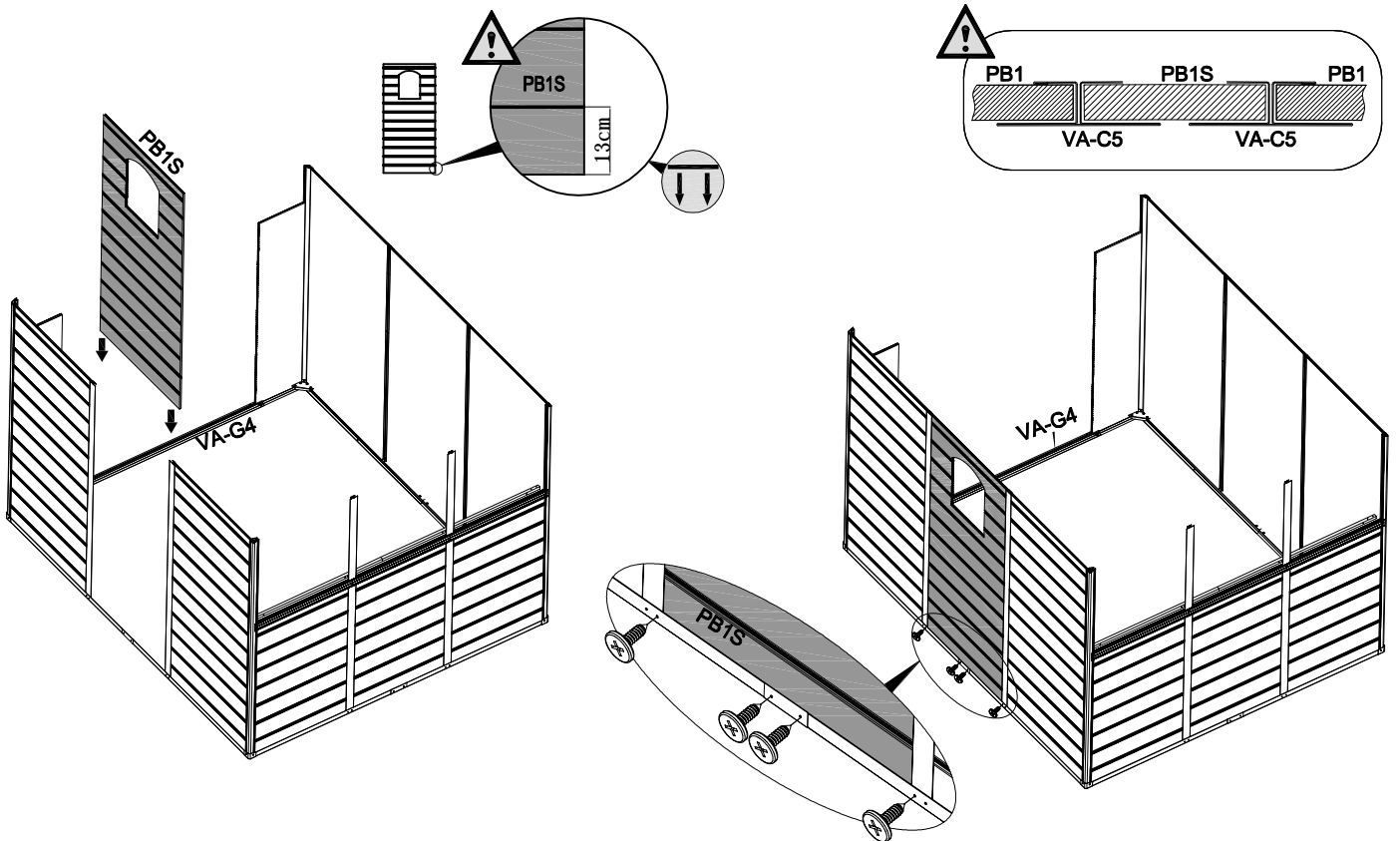
VA-H44 [x10]
13mm



17	 PB1 [x1] 876x1840mm	 VA-H44 [x4] 13mm	 CN-A33	
----	-------------------------------------------------------------------------------------------------------------	----------------------------------------------------------------------------------------------------------	---------------------------------------------------------------------------------------------	-------------------------------------------------------------------------------------



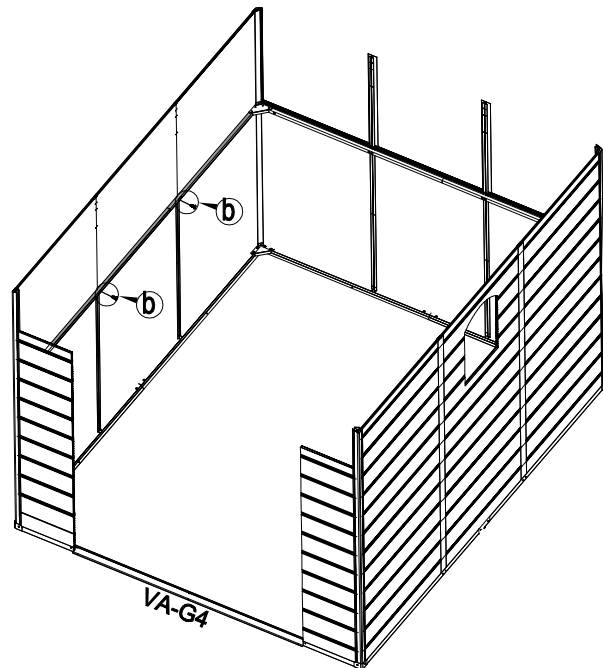
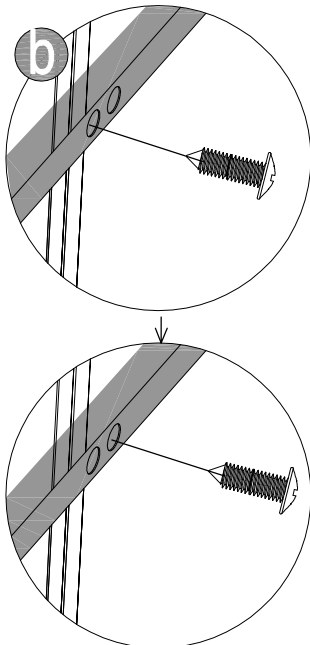
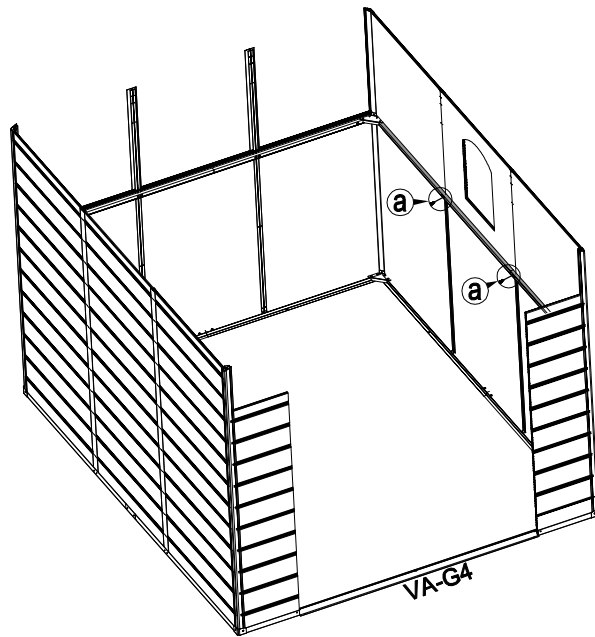
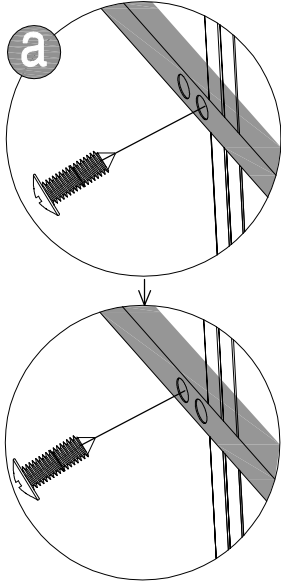
18	 PB1S [x1] 876x1840mm	 VA-H44 [x4] 13mm	 CN-A33	
----	----------------------------------------------------------------------------------------------------------------	------------------------------------------------------------------------------------------------------------	-----------------------------------------------------------------------------------------------	---------------------------------------------------------------------------------------



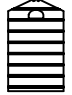

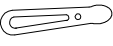


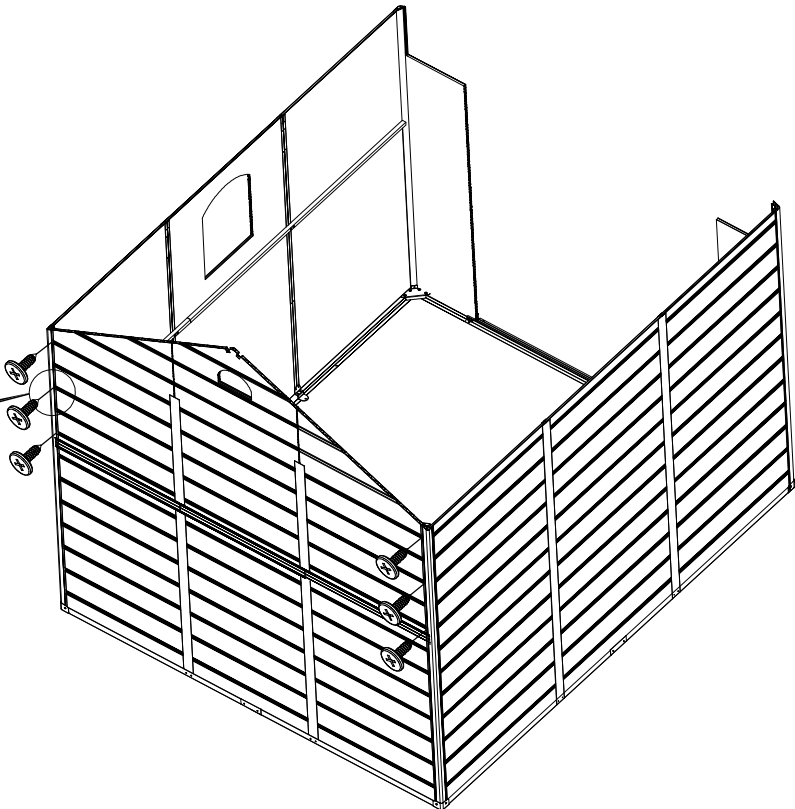
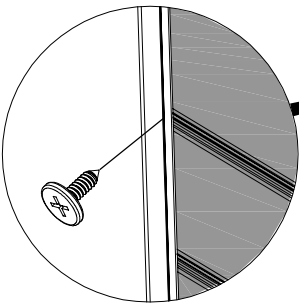
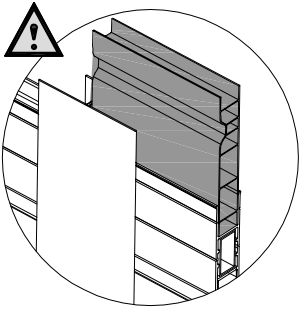
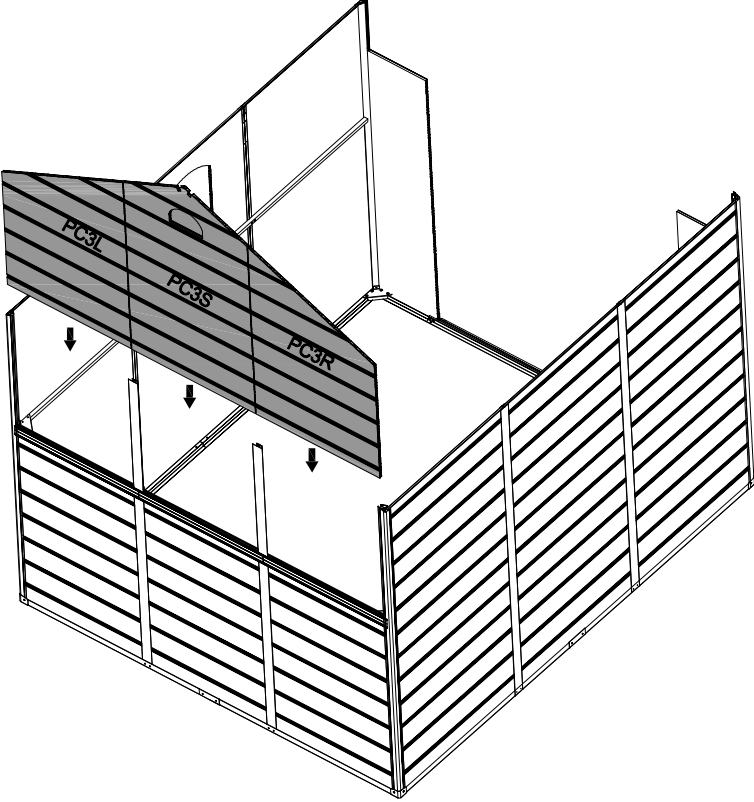
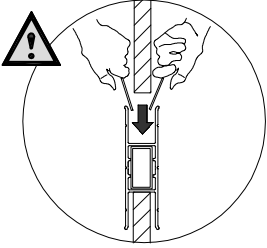
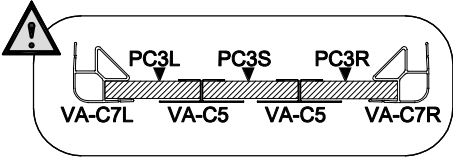
19






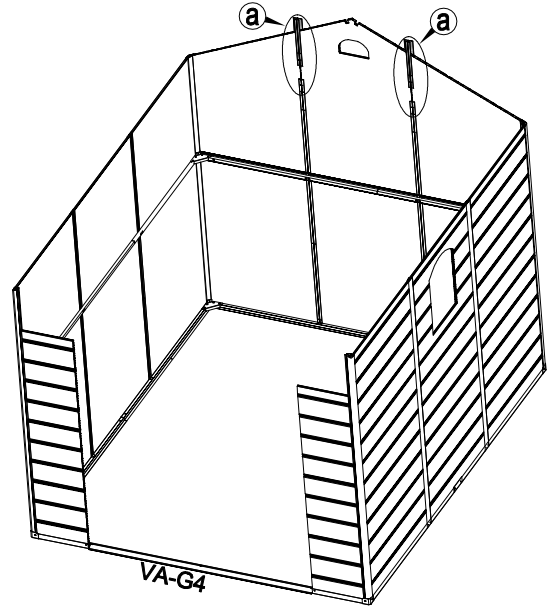
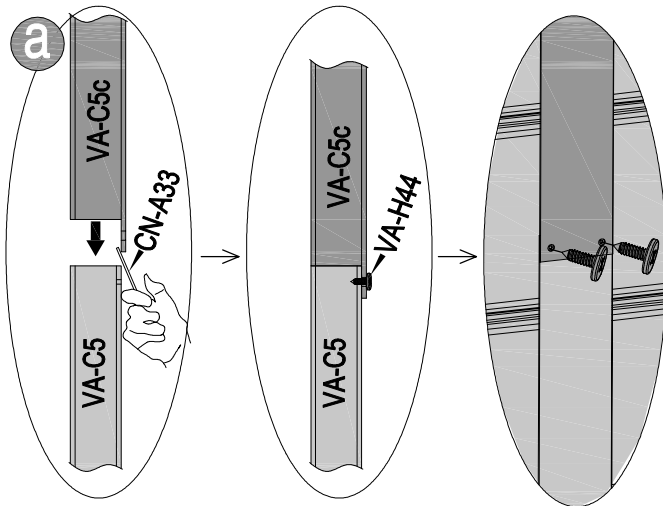
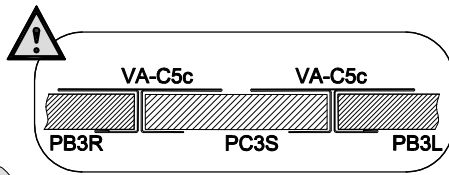
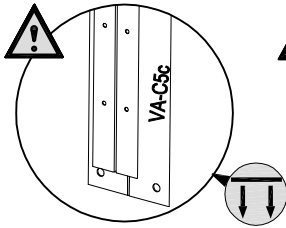
VA-H49 [x4]
13mm





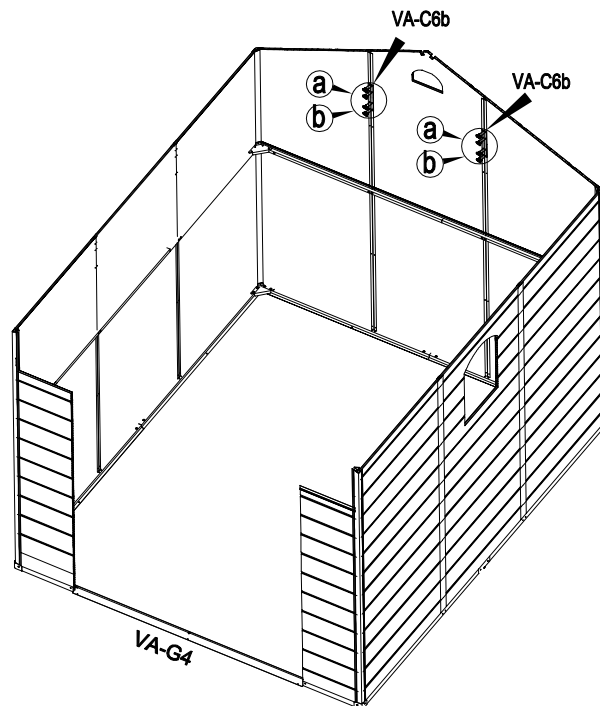
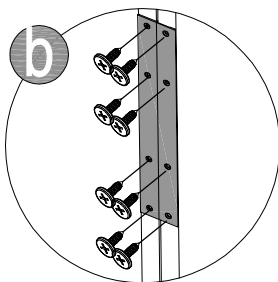
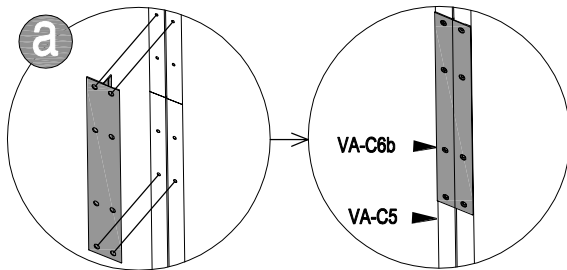
20	 PC3L [x1] 743x1072mm	 PC3R [x1] 743x1072mm	 PC3S [x1] 743x1248mm	 VA-H45 [x6] 19mm	 CN-A33
----	--------------------------------------------------------------------------------------------------------------	--------------------------------------------------------------------------------------------------------------	--------------------------------------------------------------------------------------------------------------	------------------------------------------------------------------------------------------------------------	-----------------------------------------------------------------------------------------------

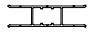





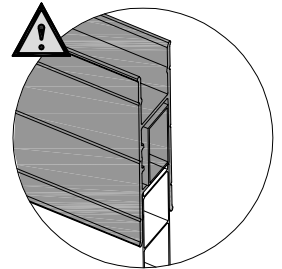
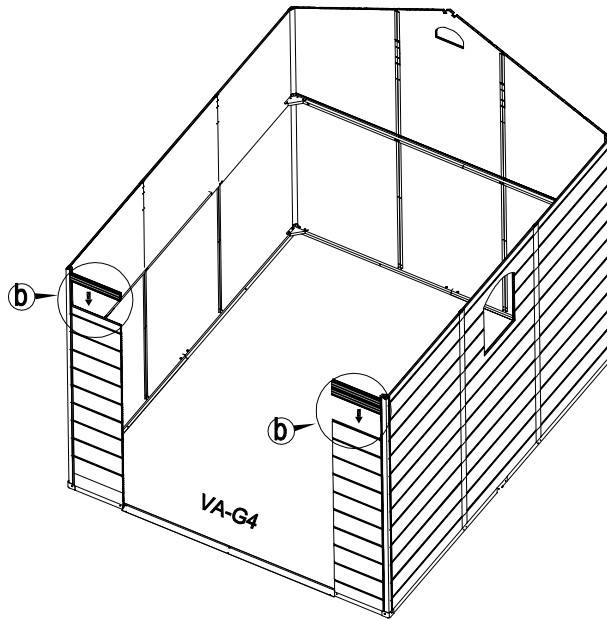
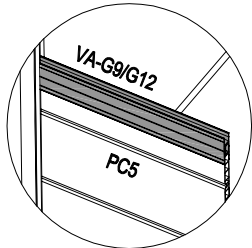
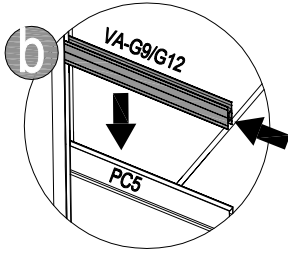
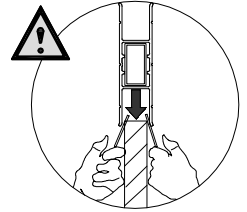
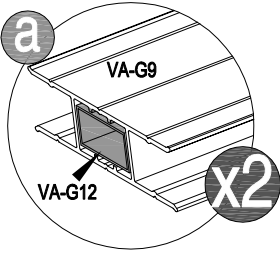
<p>21</p>	 <p>VA-C5c [x2] 365mm</p>	 <p>VA-H44 [x4] 13mm</p>	 <p>CN-A33</p>
------------------	----------------------------------------------------------------------------------------------------------------	---------------------------------------------------------------------------------------------------------------	-------------------------------------------------------------------------------------------------


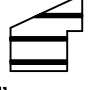

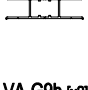




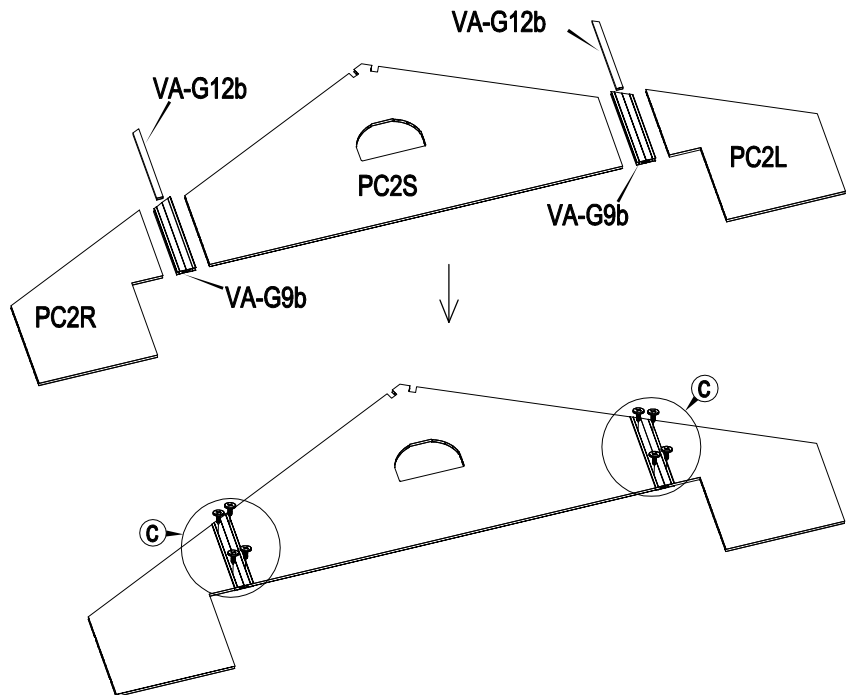
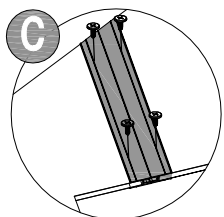
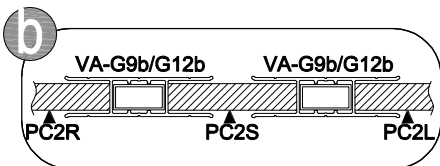
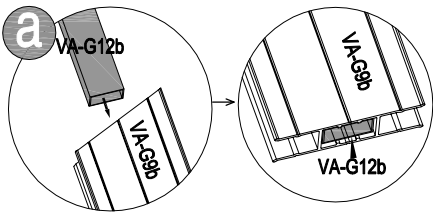
<p>22</p>	 <p>VA-C6b [x2] 200mm</p>	 <p>VA-H44 [x16] 13mm</p>	
------------------	------------------------------------------------------------------------------------------------------------------	------------------------------------------------------------------------------------------------------------------	--




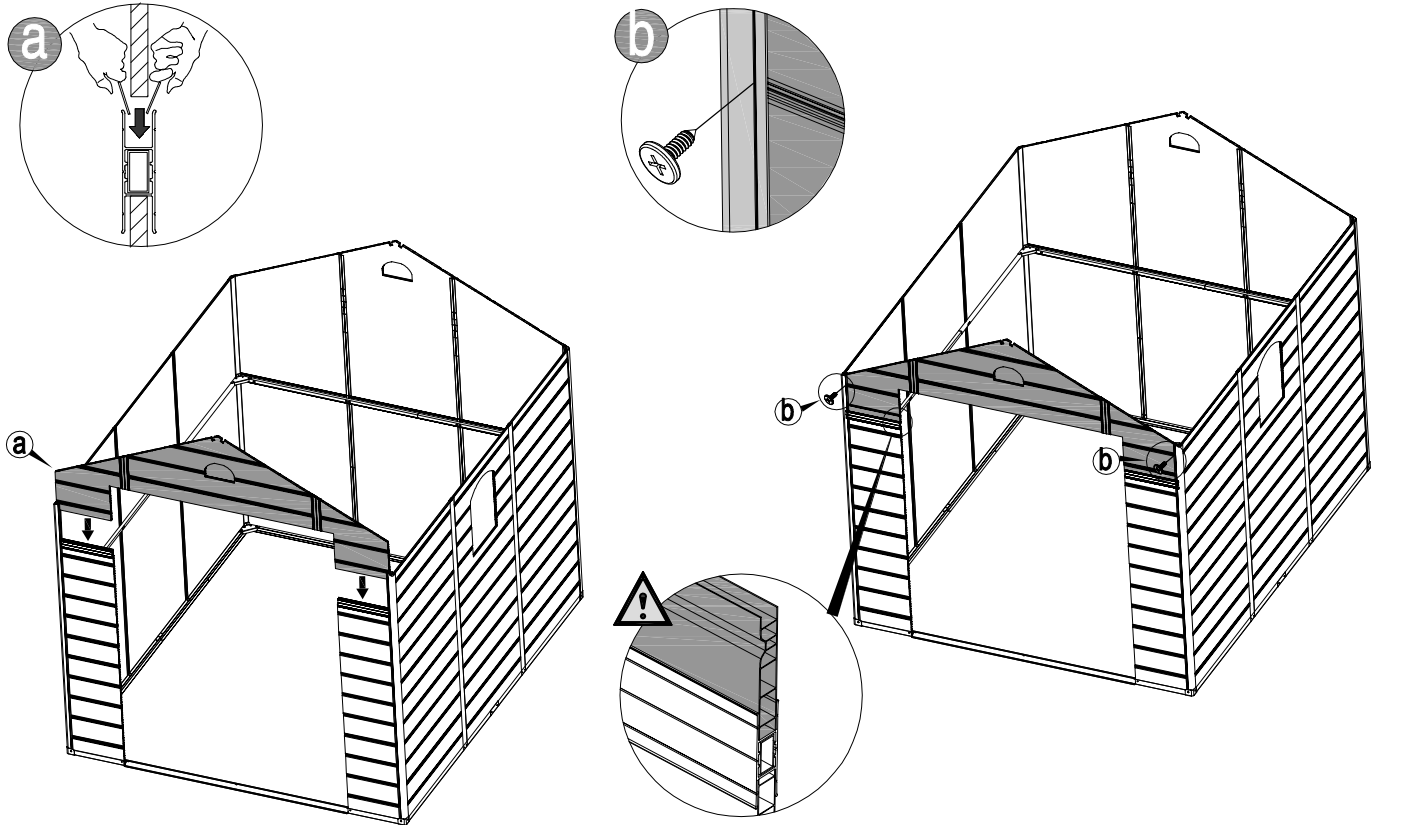
23						
	VA-G9 [x2] 360mm	VA-G12 [x2] 360mm				

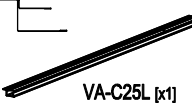




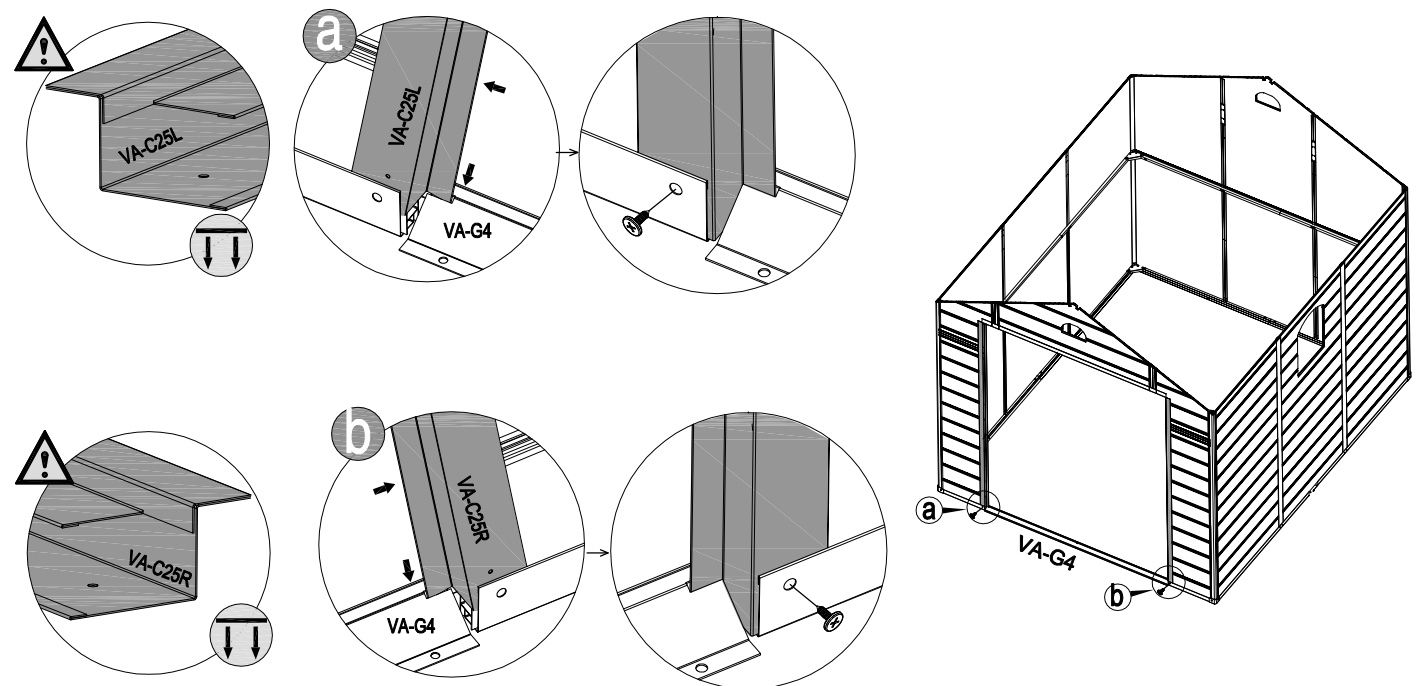
24						
	PC2S [x1] 1270x542mm	PC2L [x1] 461x492mm	PC2R [x1] 461x492mm	VA-G9b [x2] 254mm	VA-G12b [x2] 225mm	


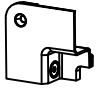
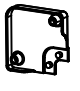

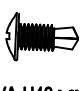



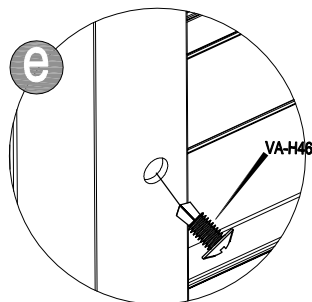
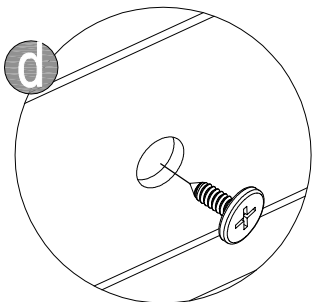
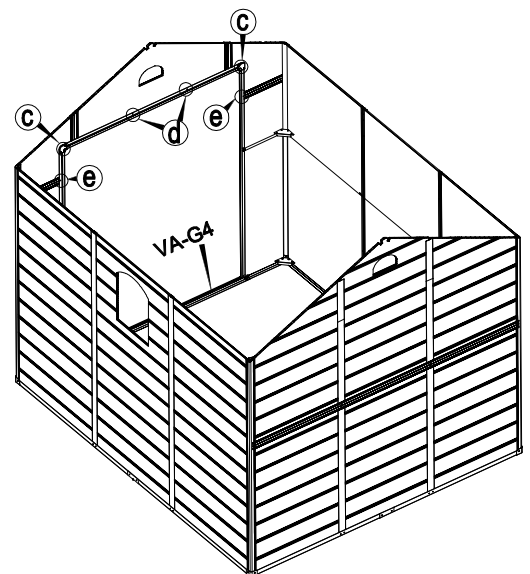
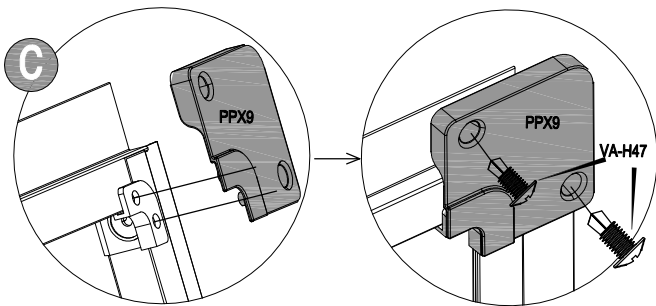
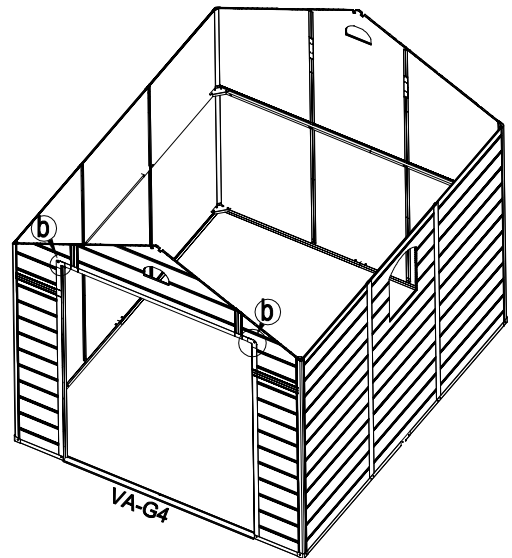
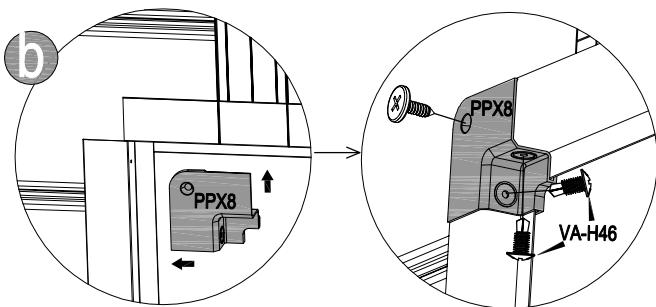
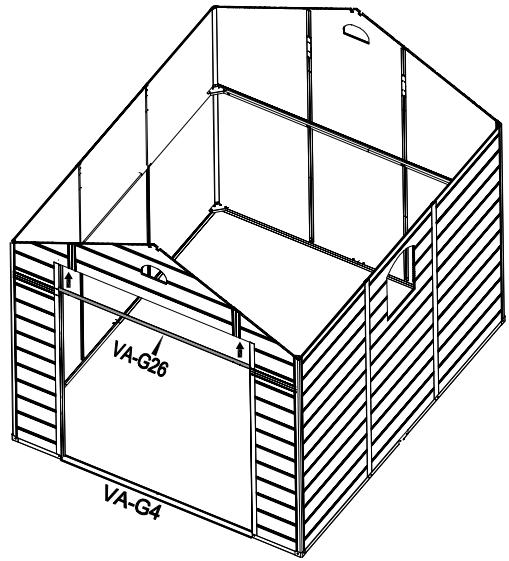
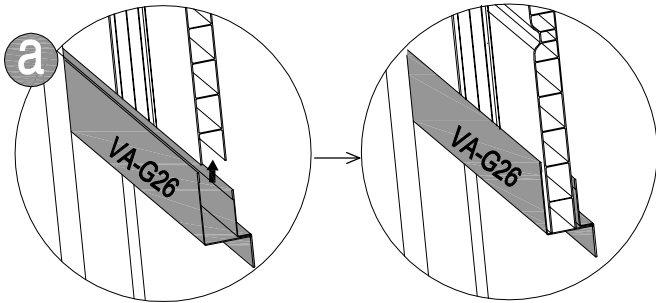
25	 VA-H45 [x2] 13mm		 CN-A33		
----	----------------------------------------------------------------------------------------------------------	--	-----------------------------------------------------------------------------------------------	-------------------------------------------------------------------------------------	-------------------------------------------------------------------------------------

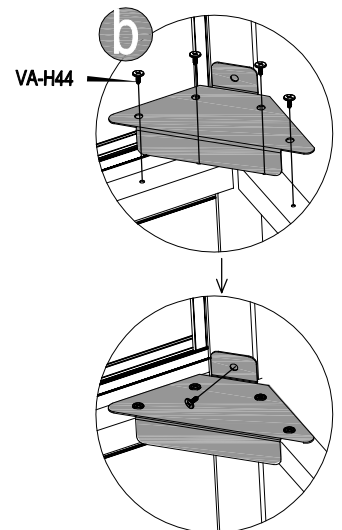
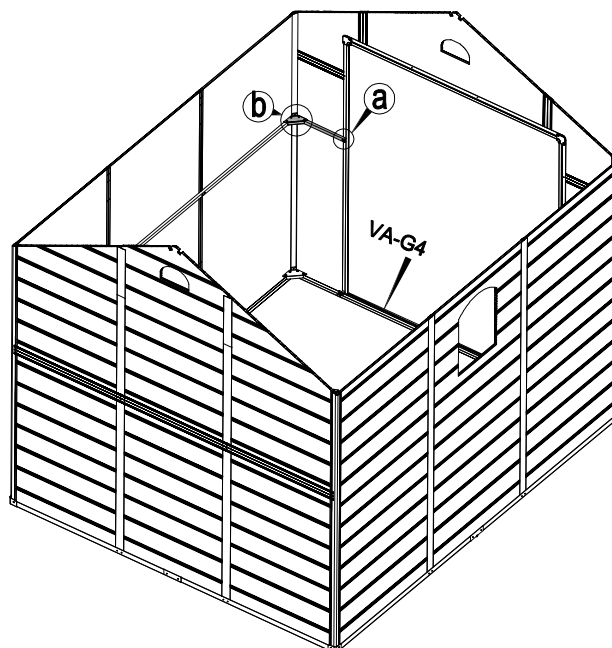
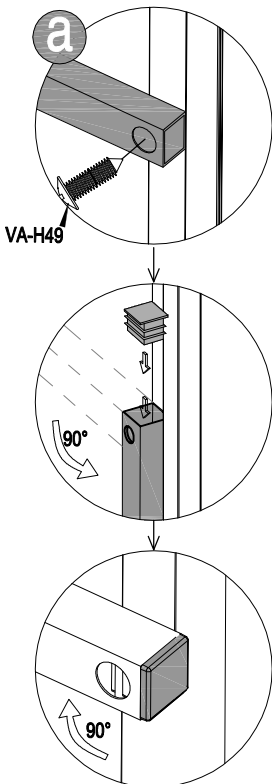
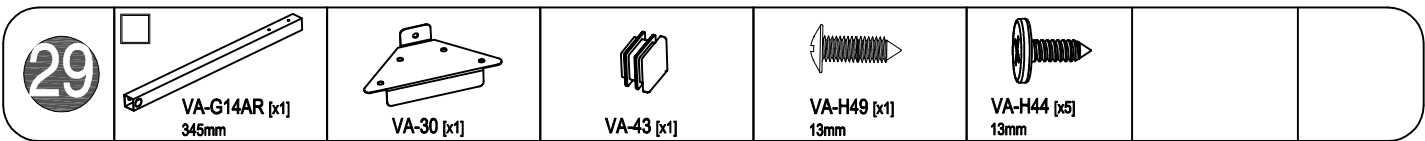
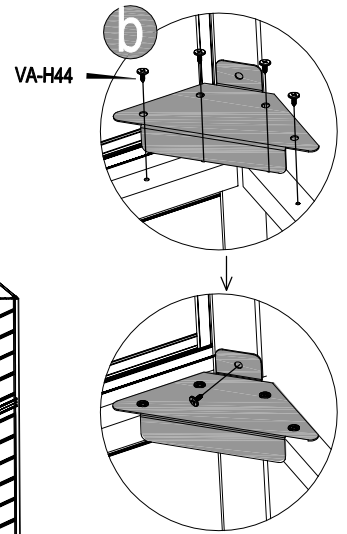
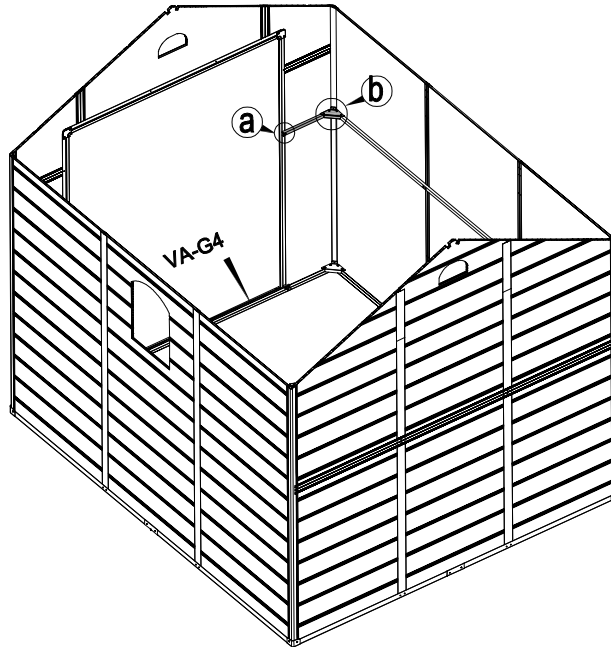
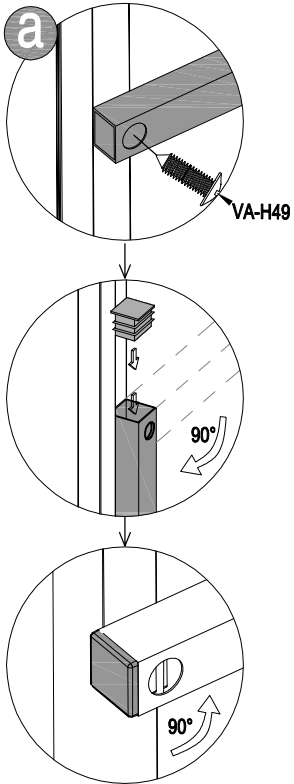
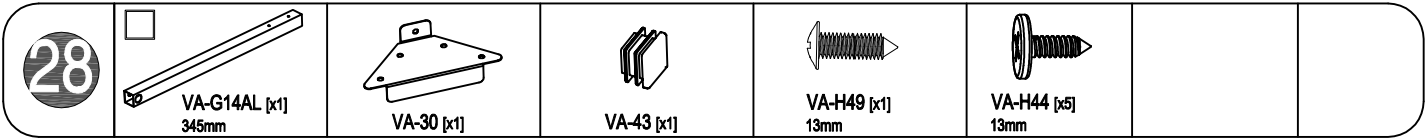


26	 VA-C25L [x1] 1830mm	 VA-C25R [x1] 1830mm	 VA-H44 [x2] 13mm	
----	---------------------------------------------------------------------------------------------------------------	---------------------------------------------------------------------------------------------------------------	------------------------------------------------------------------------------------------------------------	--



27	 VA-G26 [x1] 1508mm	 PPX8 [x2]	 PPX9 [x2]	 VA-H44 [x4] 13mm	 VA-H46 [x6] 13mm	 VA-H47 [x4] 19mm	
----	------------------------------------------------------------------------------------------------------------	------------------------------------------------------------------------------------------------	------------------------------------------------------------------------------------------------	----------------------------------------------------------------------------------------------------------	------------------------------------------------------------------------------------------------------------	------------------------------------------------------------------------------------------------------------	--

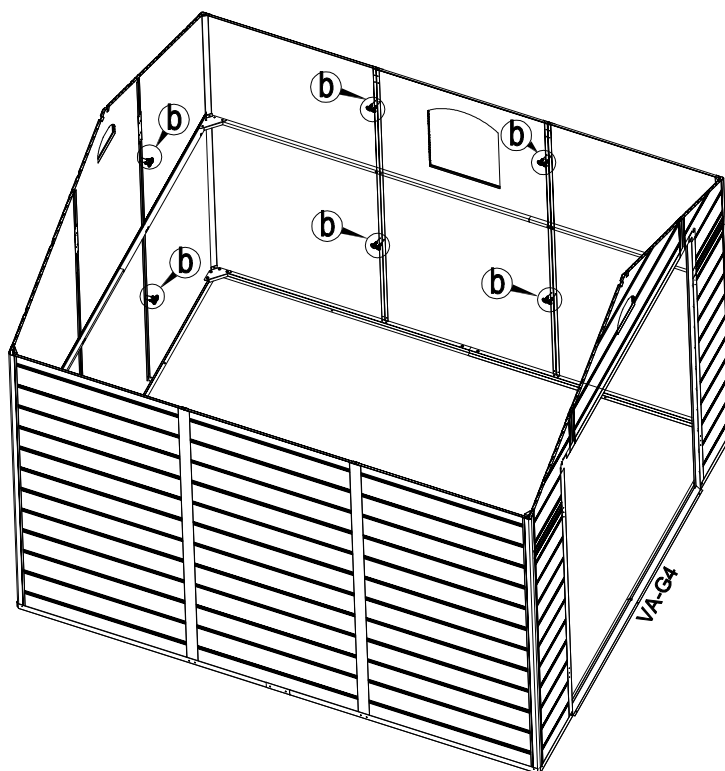
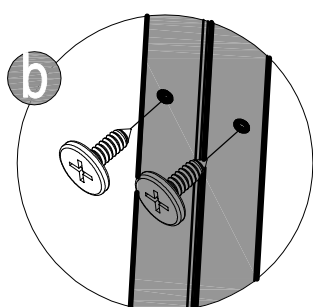
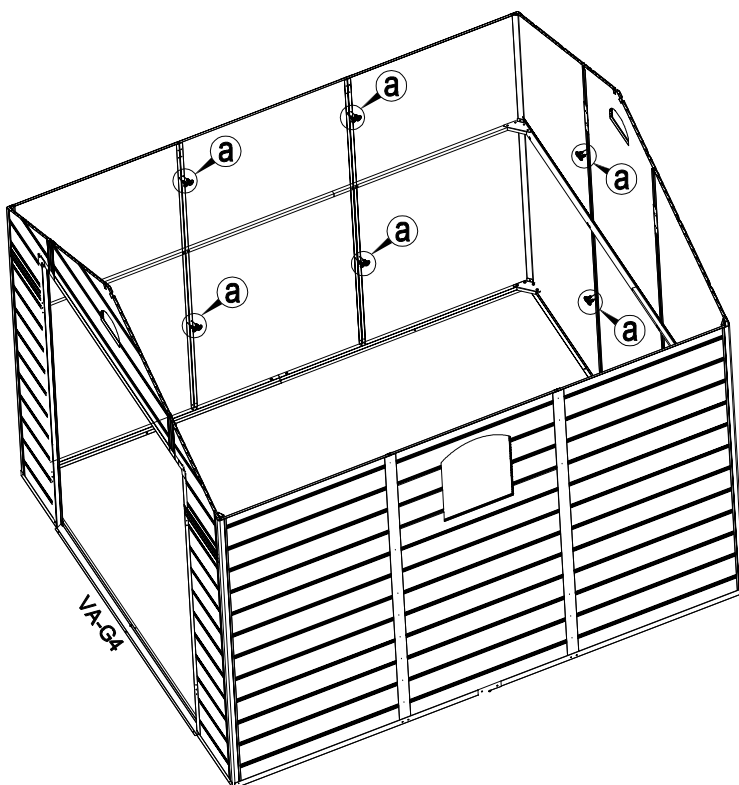
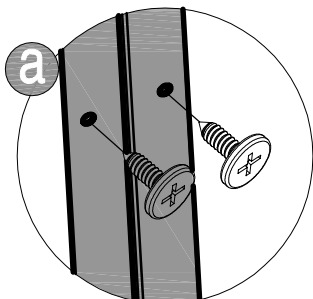


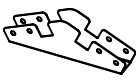


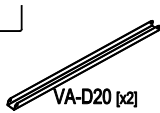



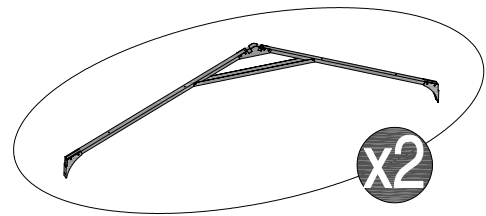
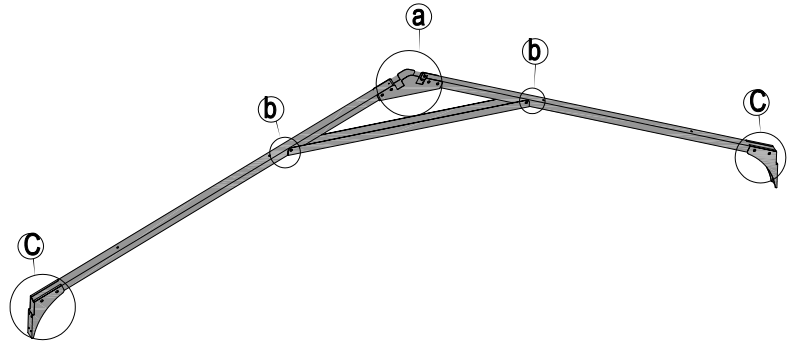
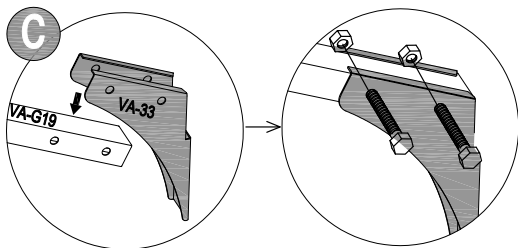
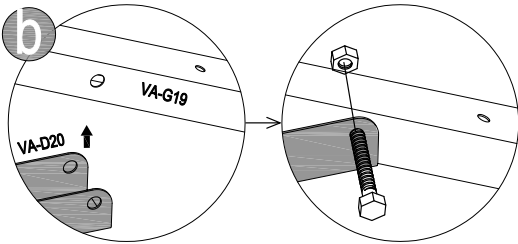
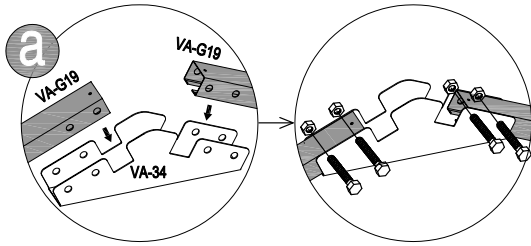
30

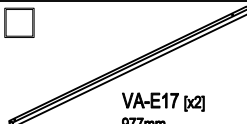
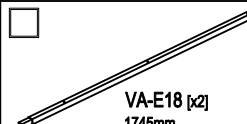
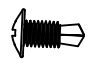


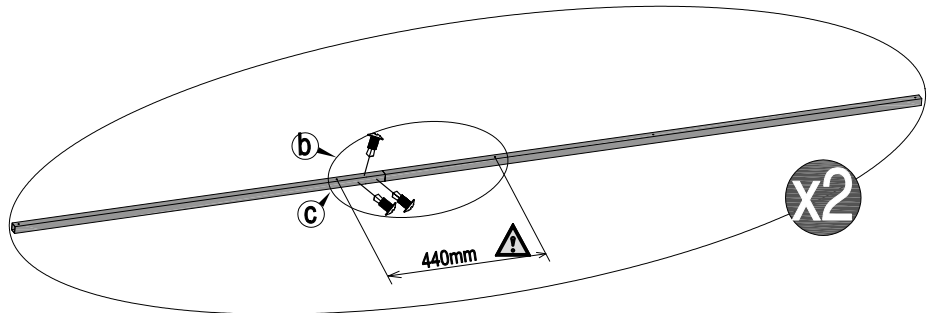
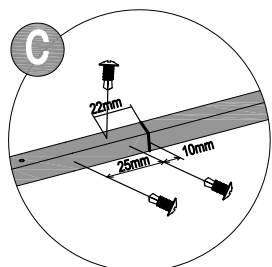
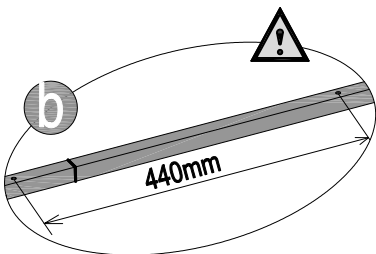
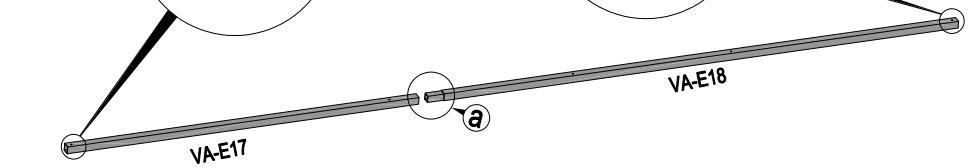
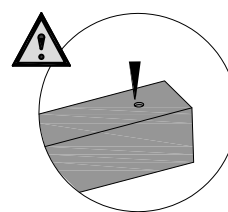
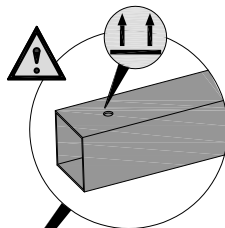
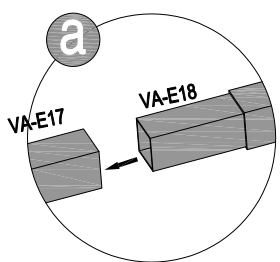
VA-H44 [x24]
13mm



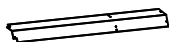
31	 VA-34 [x2]	 VA-33 [x4]	 VA-G19 [x4] 1181mm	 VA-D20 [x2] 725mm	 VA-H50 [x20] 40mm	
----	-------------------------------------------------------------------------------------------------	-------------------------------------------------------------------------------------------------	------------------------------------------------------------------------------------------------------------	------------------------------------------------------------------------------------------------------------	-------------------------------------------------------------------------------------------------------------	--



32	 VA-E17 [x2] 977mm	 VA-E18 [x2] 1745mm	 VA-H46 [x6] 13mm	
----	-------------------------------------------------------------------------------------------------------------	--------------------------------------------------------------------------------------------------------------	------------------------------------------------------------------------------------------------------------	--



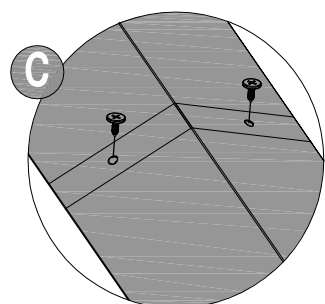
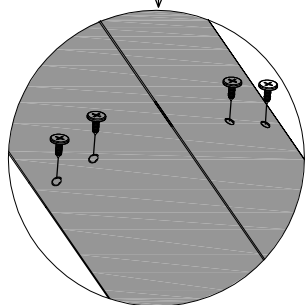
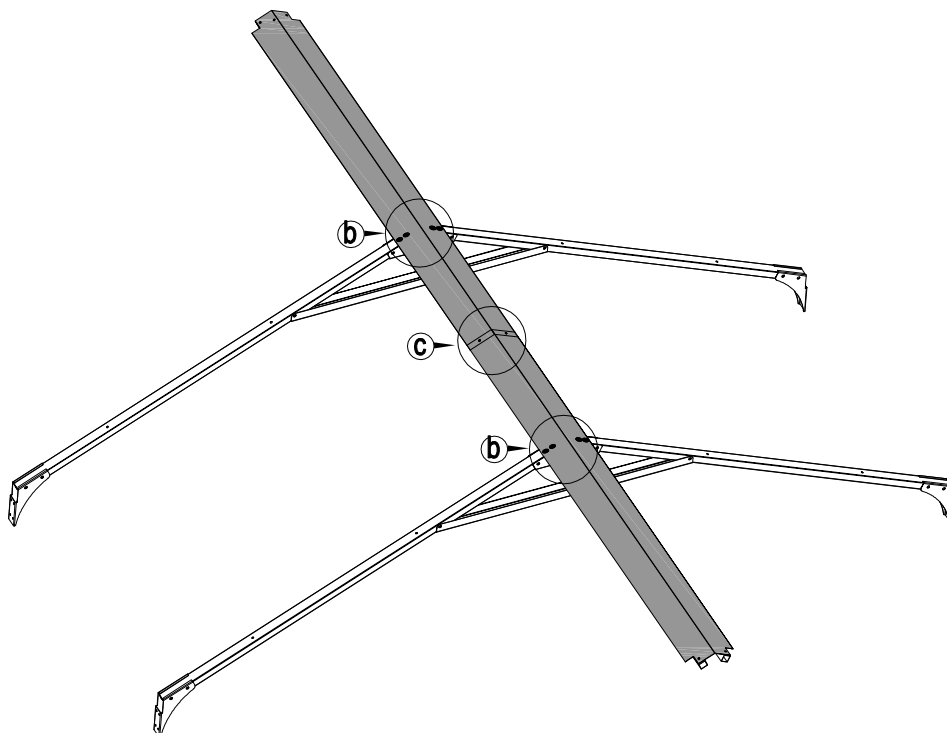
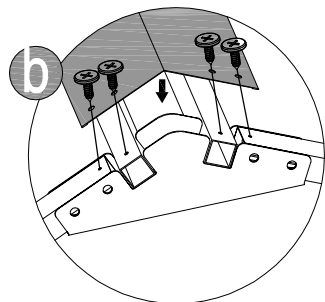
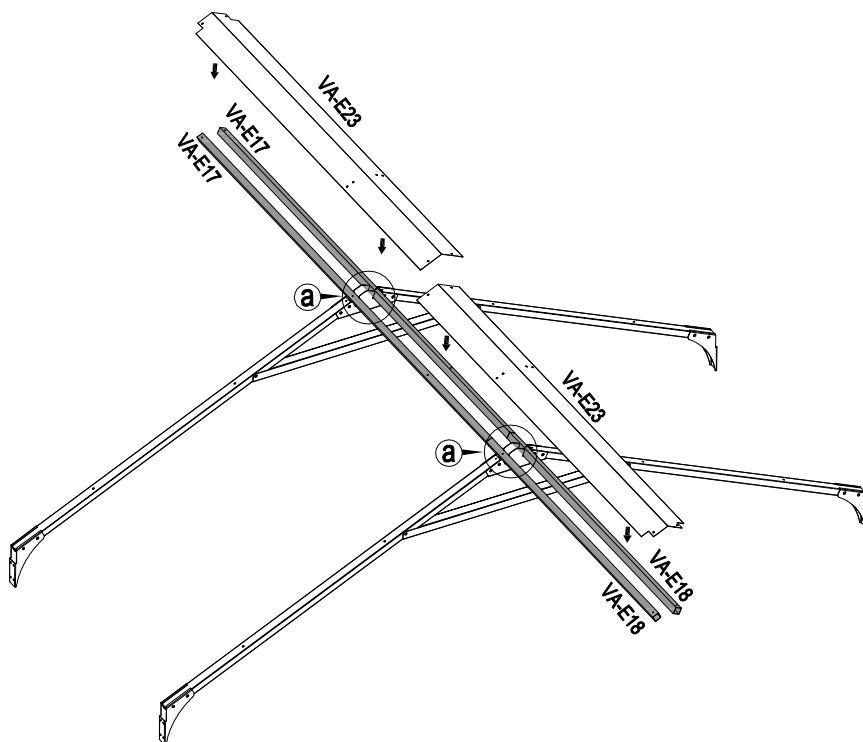
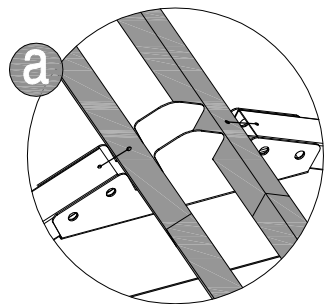
33



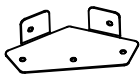
VA-E23 [x2]
1348mm



VA-H44 [x10]
13mm



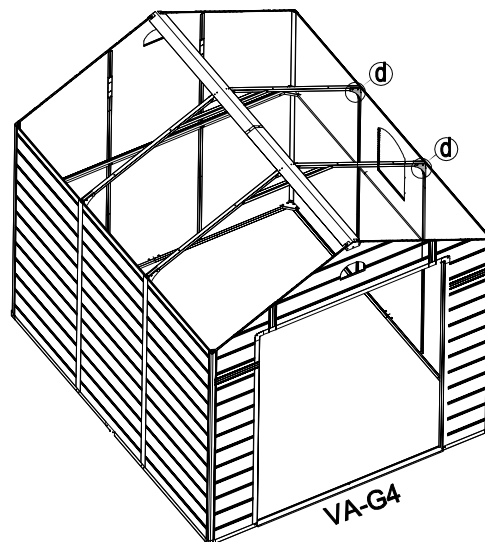
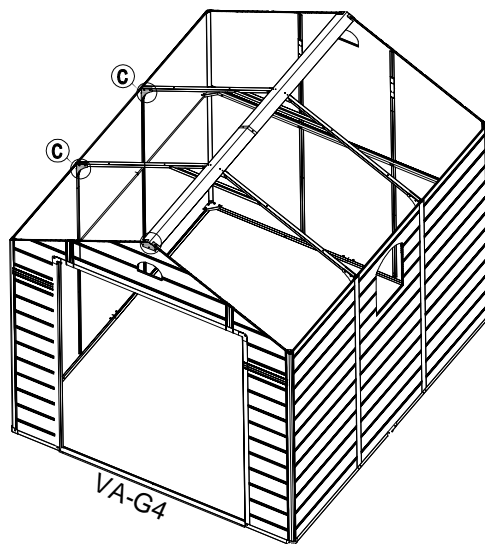
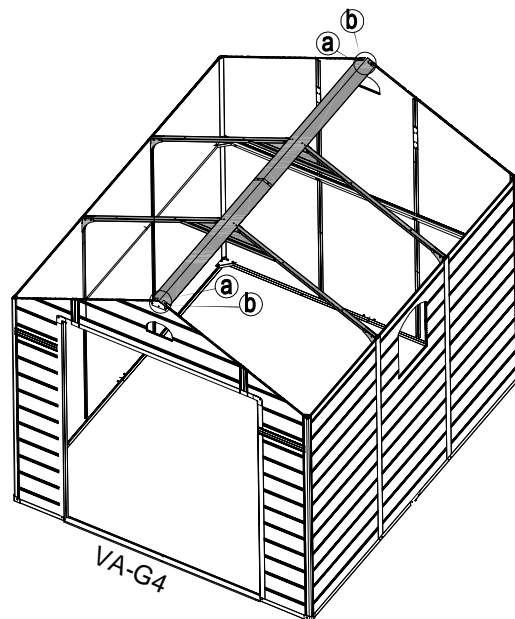
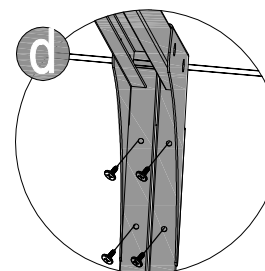
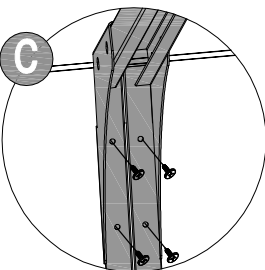
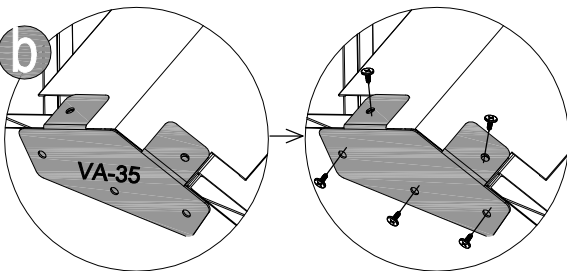
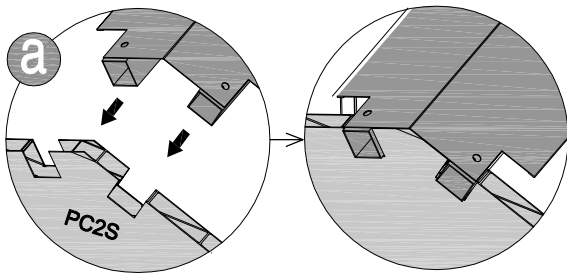
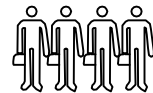
34



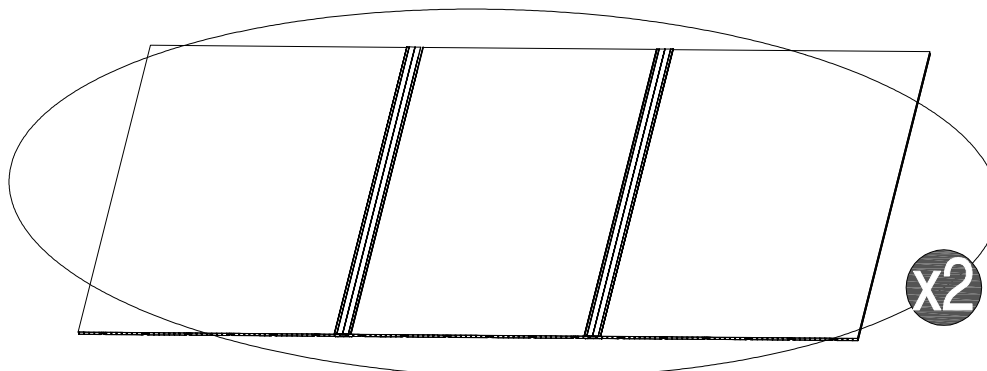
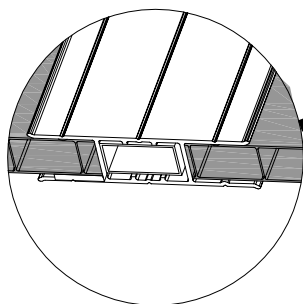
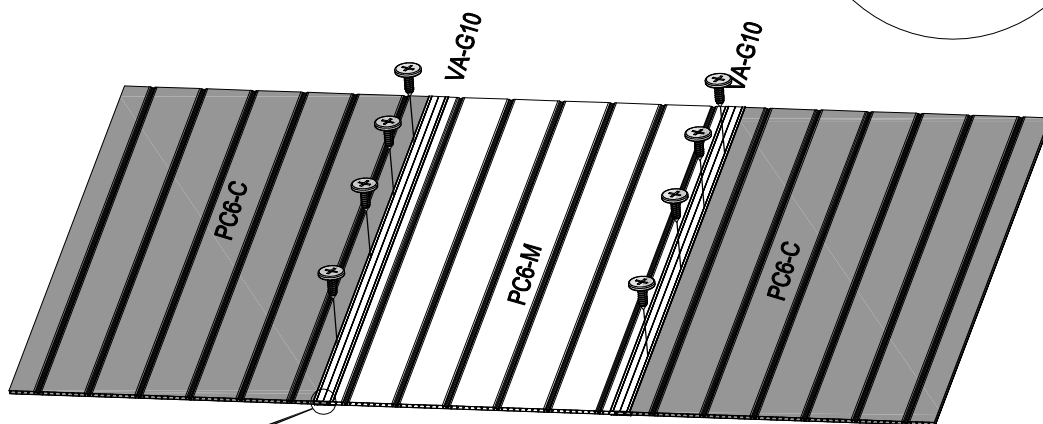
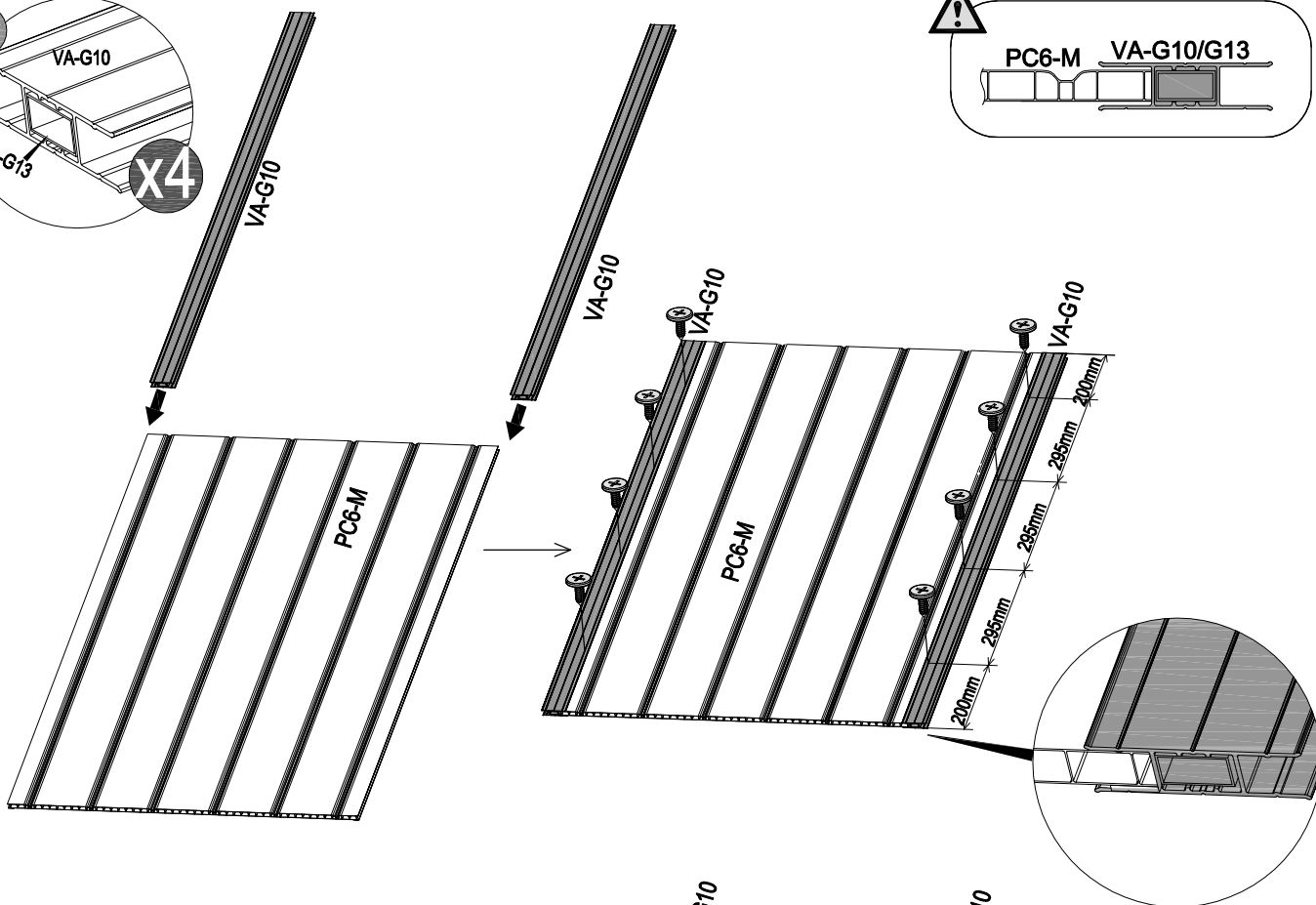
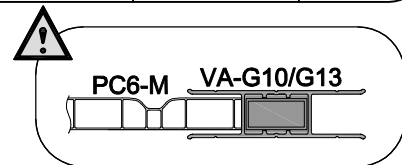
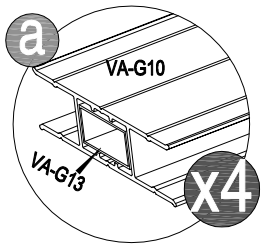
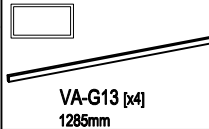
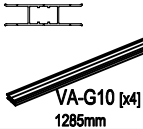
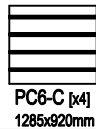
VA-35 [x2]





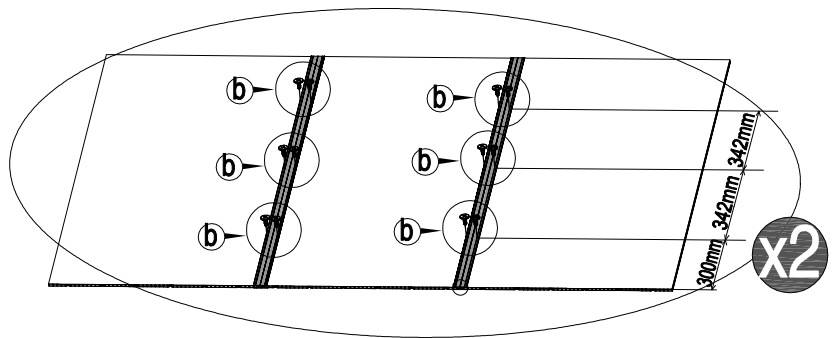
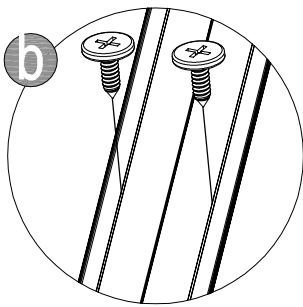
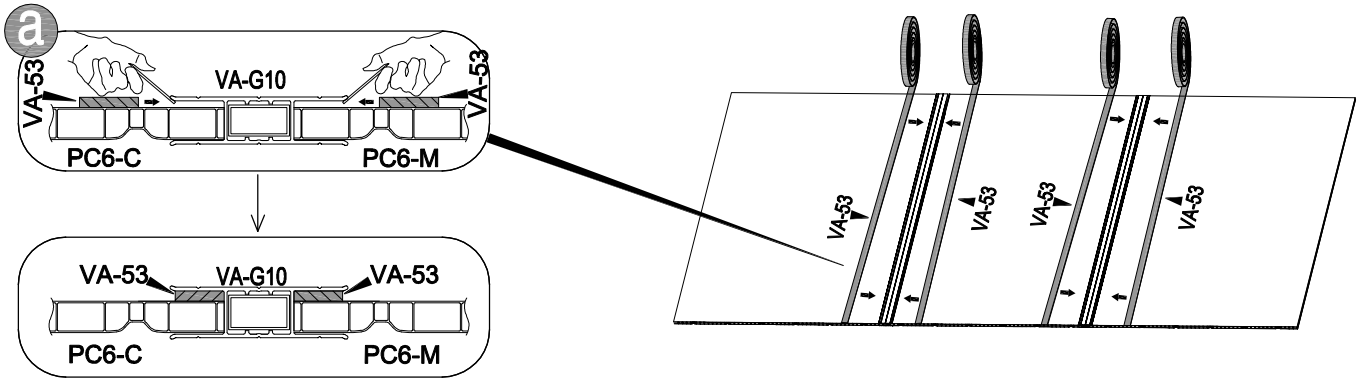
VA-H44 [x26]
13mm





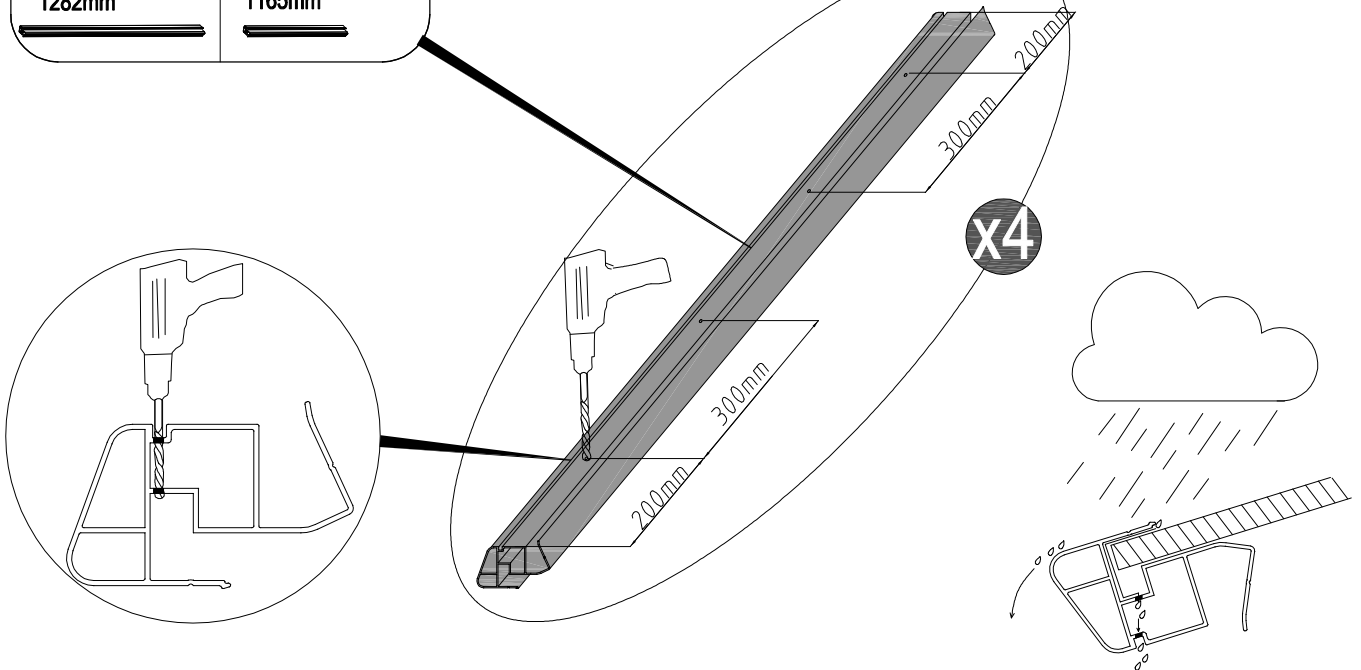
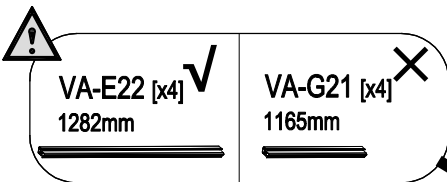
35



36	 VA-53 [x2]	 VA-H44 [x24] 12mm	 CN-A33
-----------	-------------------------------------------------------------------------------------------------	-----------------------------------------------------------------------------------------------------------	-----------------------------------------------------------------------------------------------



37	 VA-E22 [x4] 1282mm	 Ø8mm		
-----------	--------------------------------------------------------------------------------------------------------------	---------------------------------------------------------------------------------------------	--	--



38



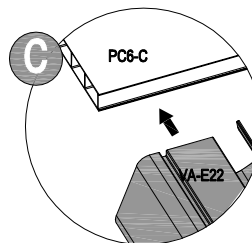
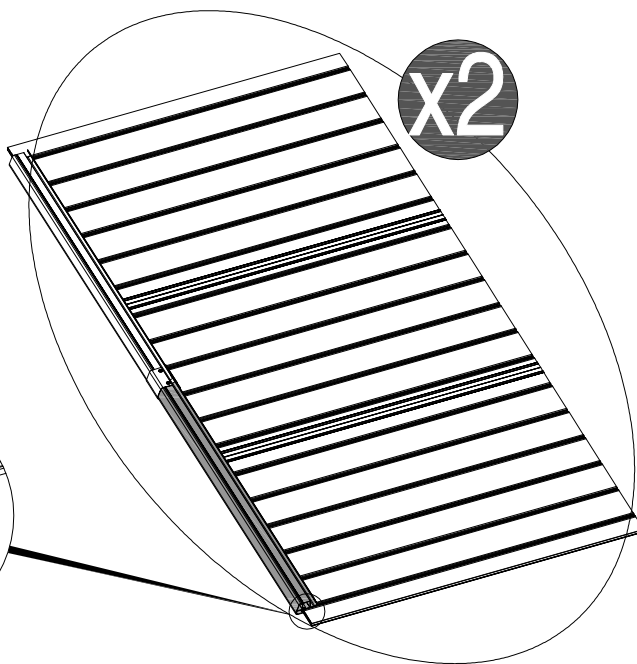
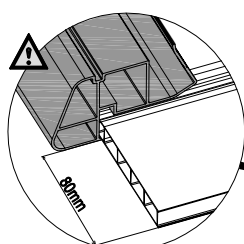
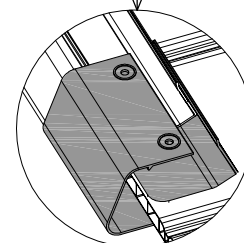
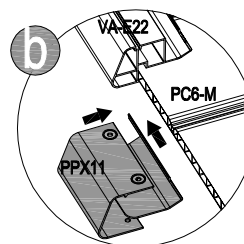
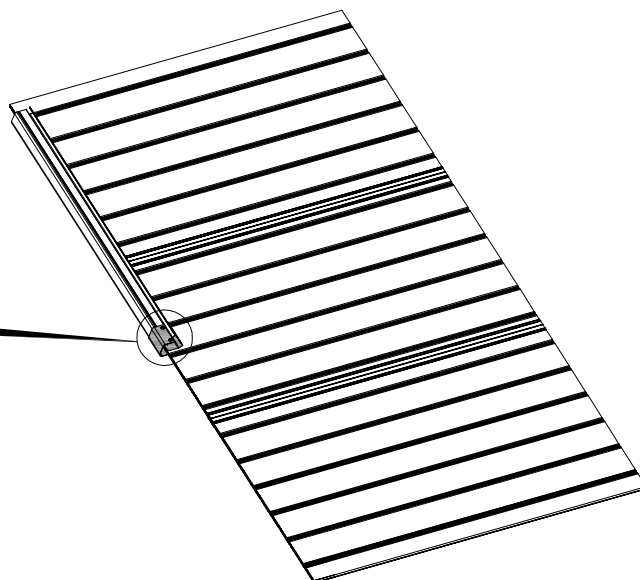
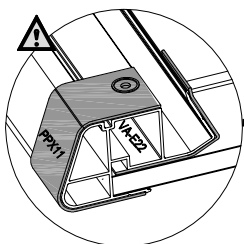
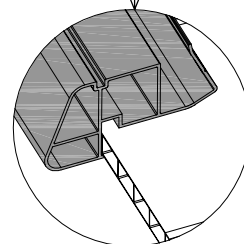
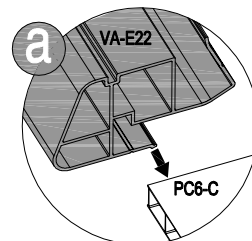
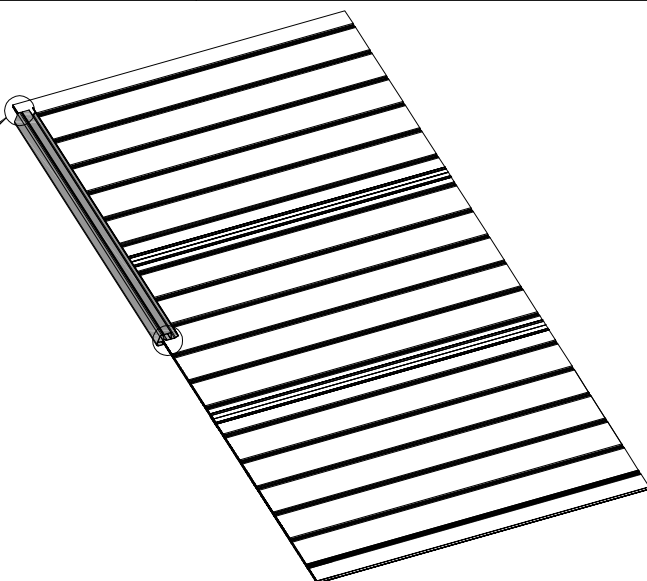
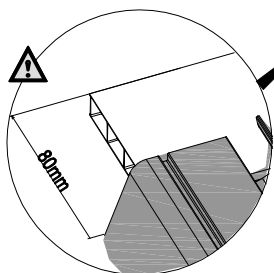
VA-E22 [x4]
1282mm




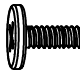
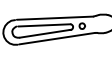


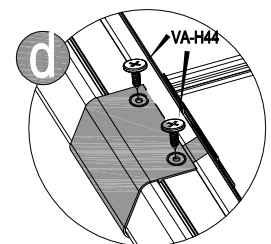
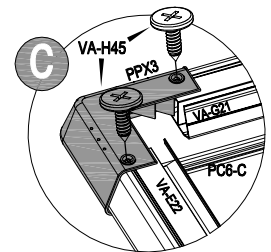
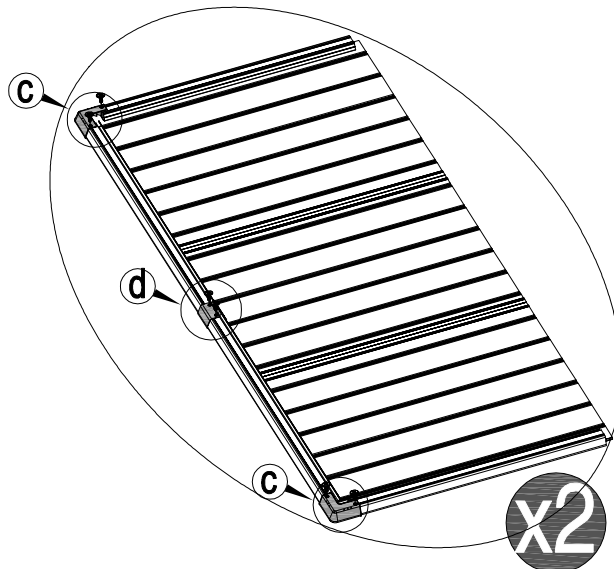
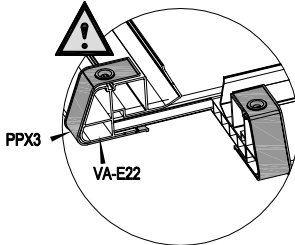
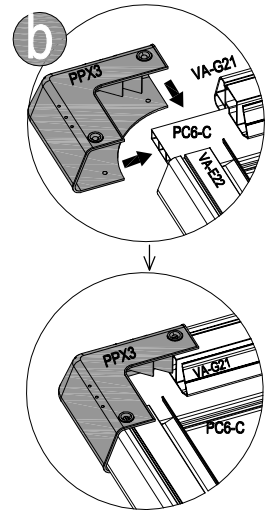
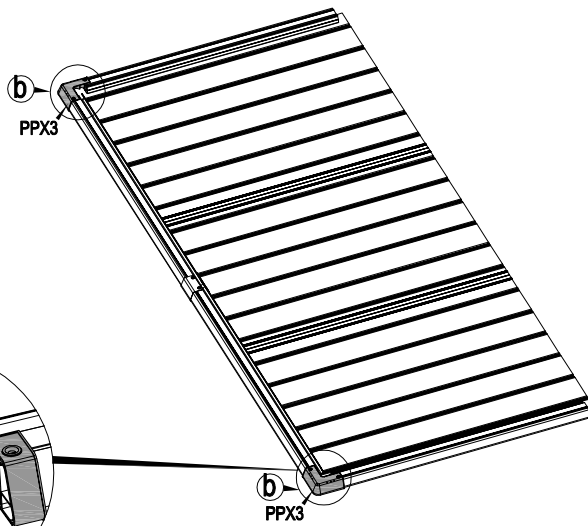
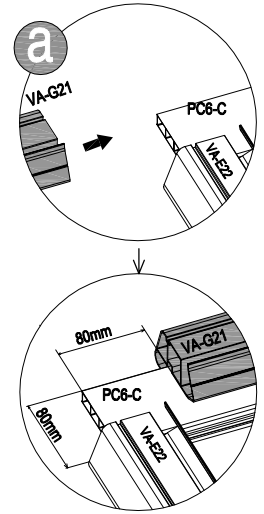
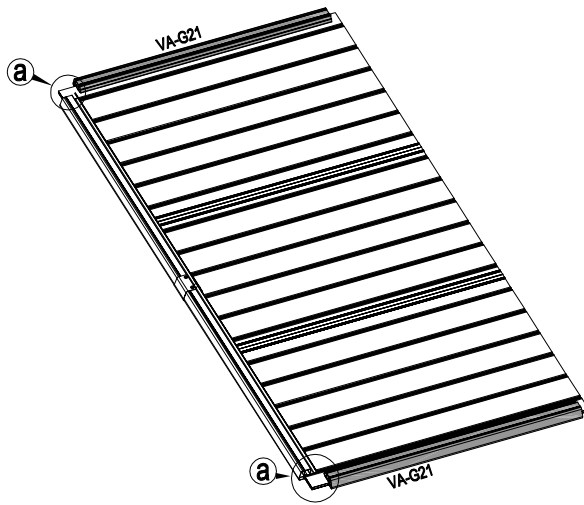
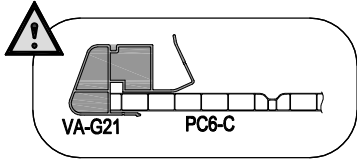
PPX11 [x2]



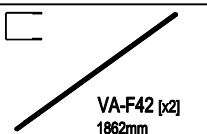
CN-A33



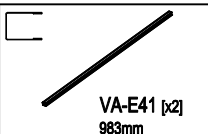
39	 VA-G21 [x4] 1165mm	 PPX3[x4]	 VA-H44 [x4] 13mm	 VA-H45 [x8] 19mm		 CN-A33
----	------------------------------------------------------------------------------------------------------------	-----------------------------------------------------------------------------------------------	----------------------------------------------------------------------------------------------------------	----------------------------------------------------------------------------------------------------------	--	-----------------------------------------------------------------------------------------------



40



VA-F42 [x2]
1862mm



VA-E41 [x2]
983mm



VA-H45 [x24]
19mm



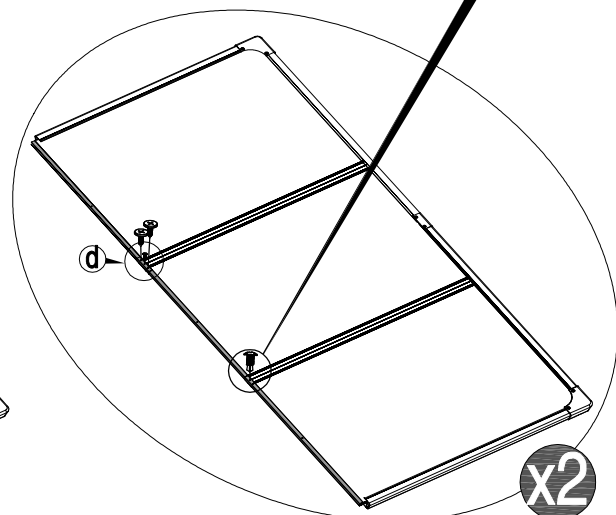
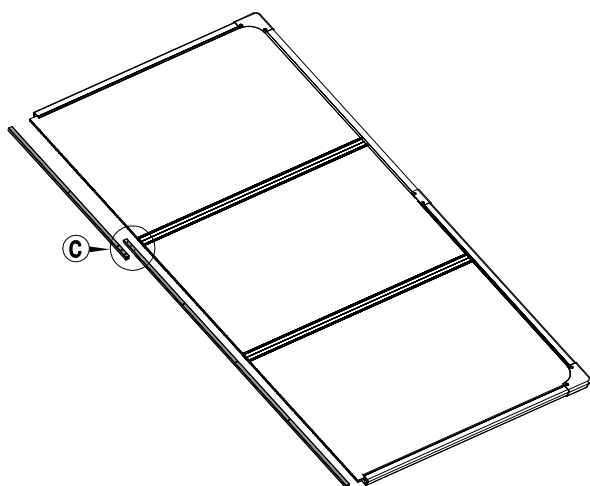
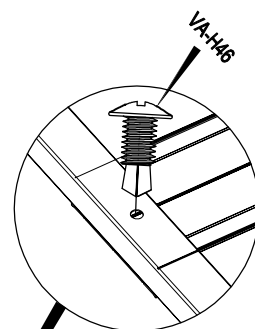
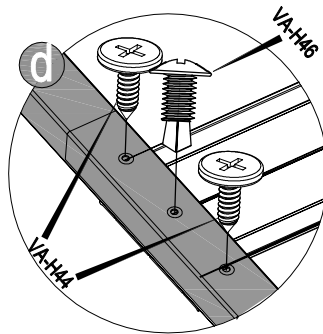
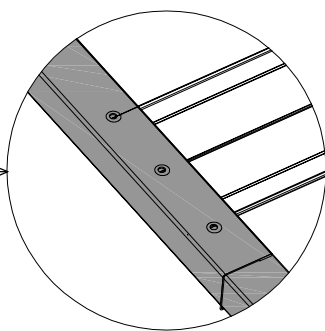
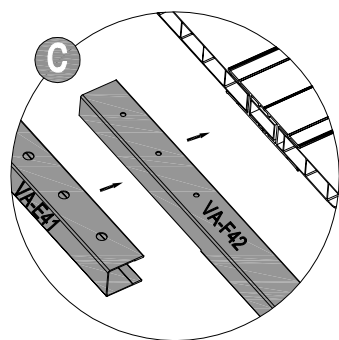
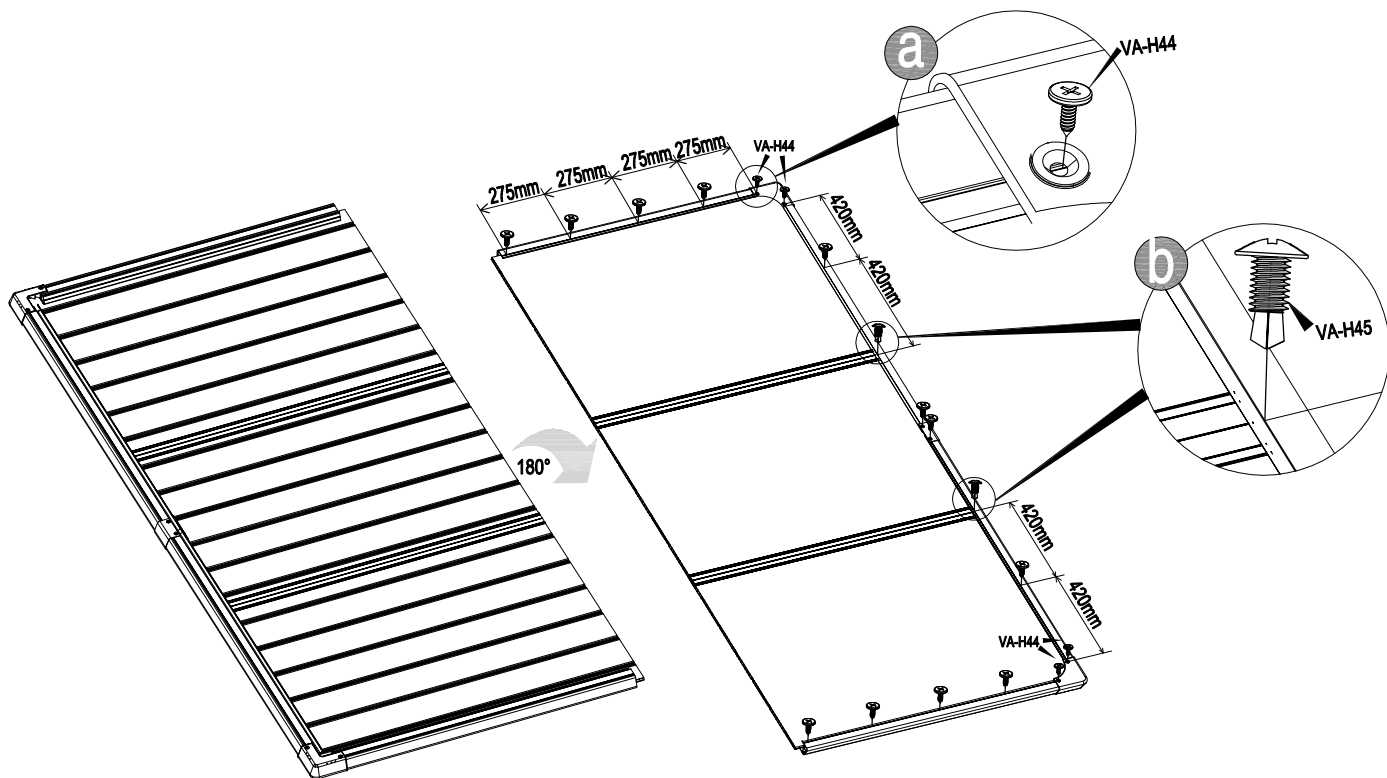
VA-H46 [x8]
13mm



VA-H44 [x12]
13mm



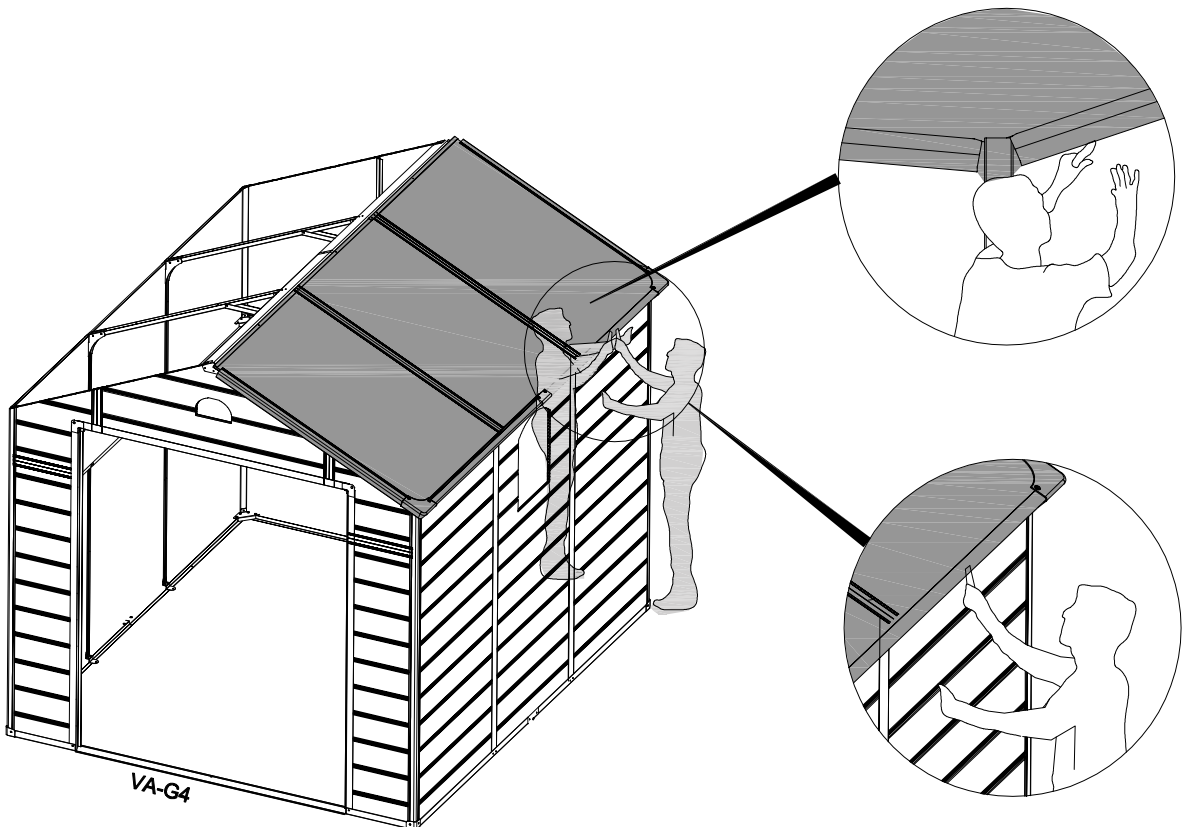
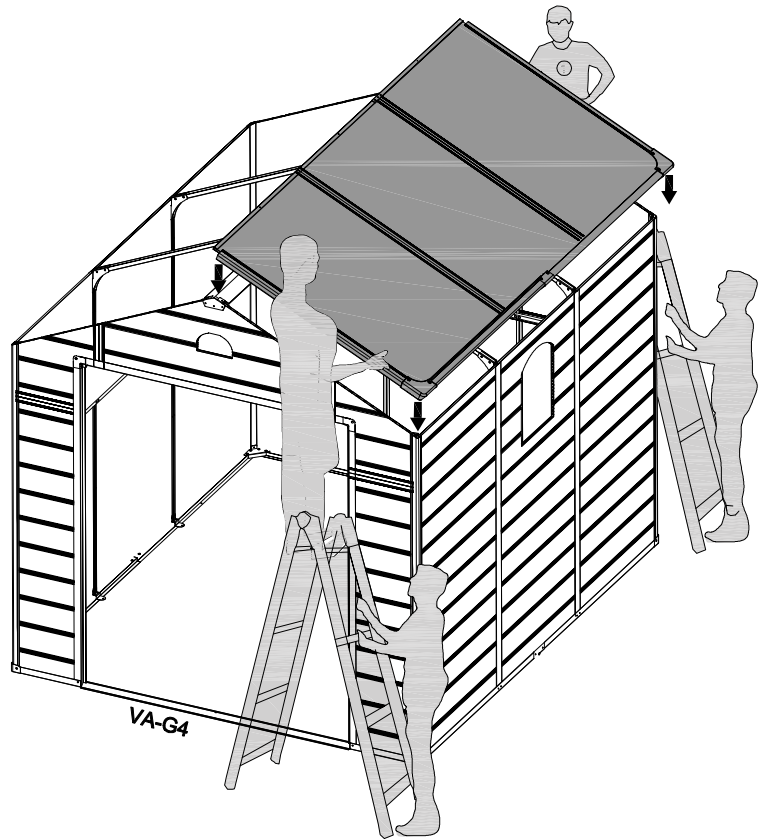
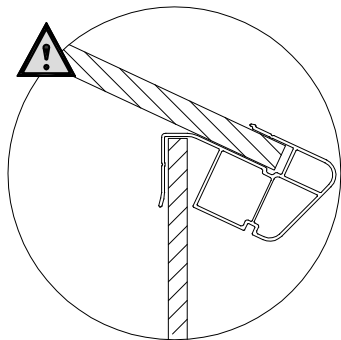
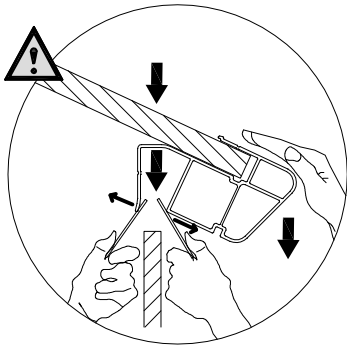
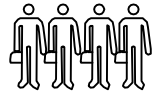
CN-A33

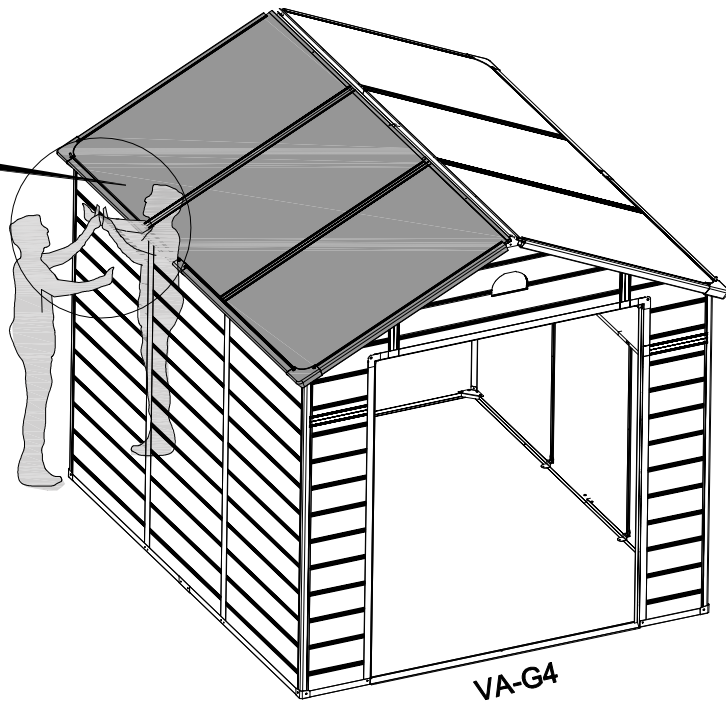
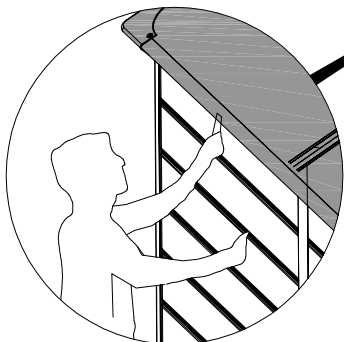
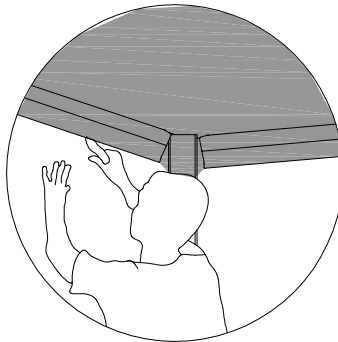
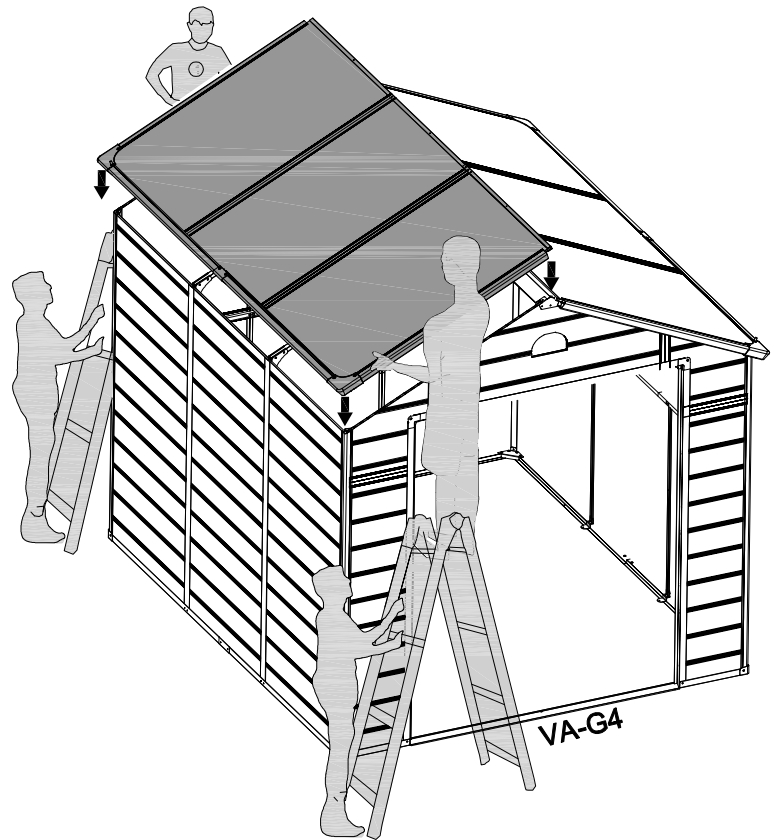
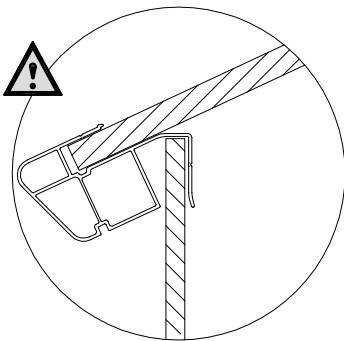
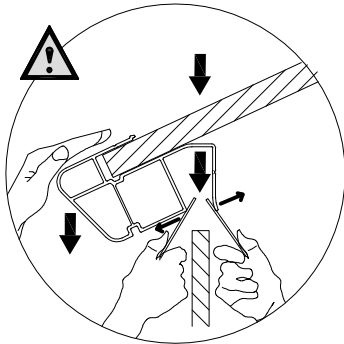


41



CN-A33





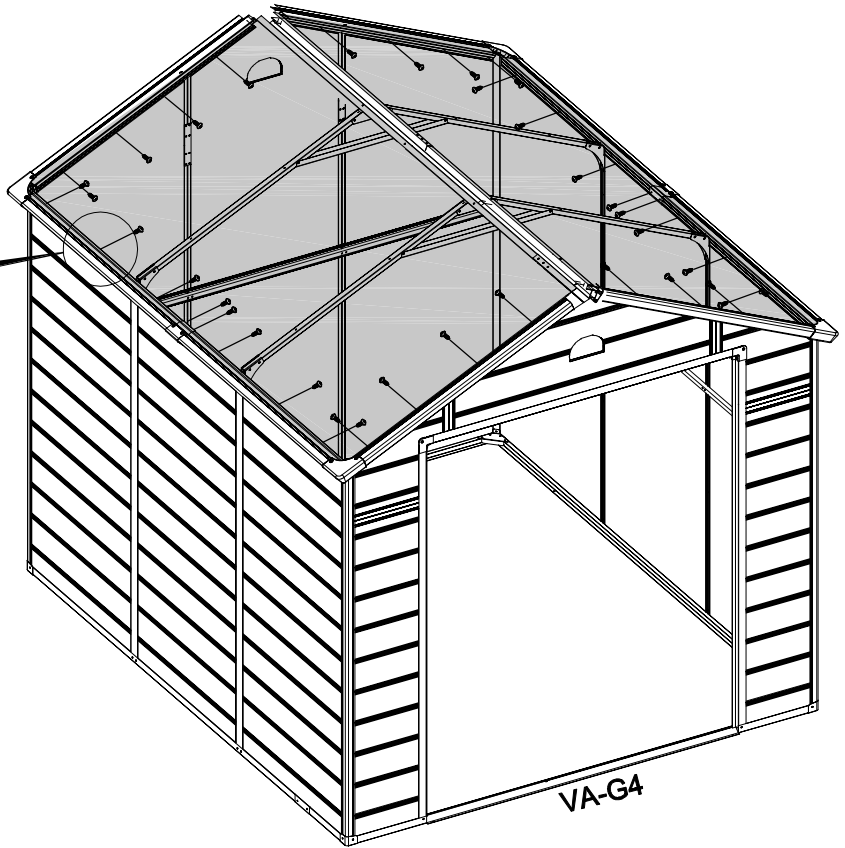
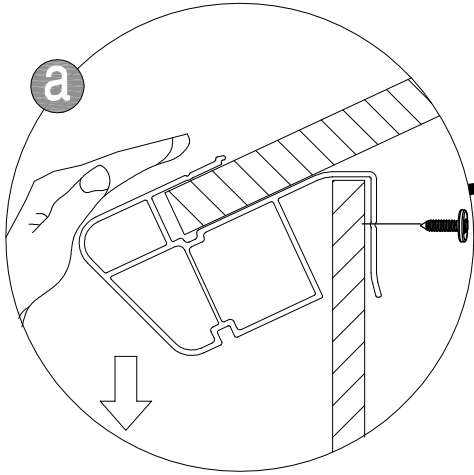
43



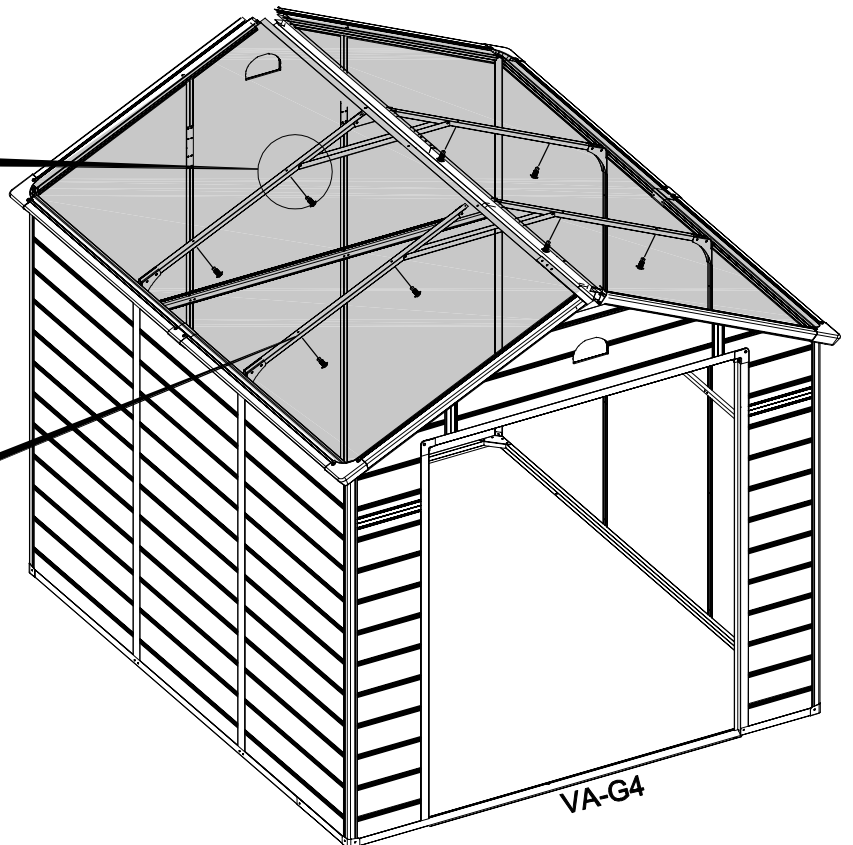
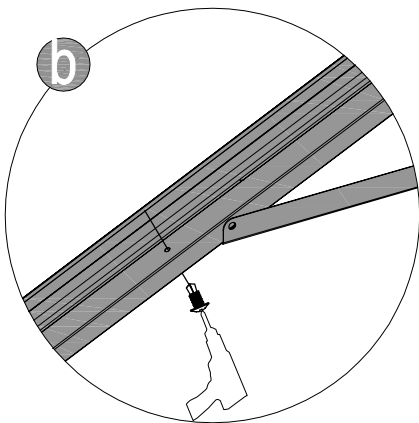
VA-H45 [x32]
19mm



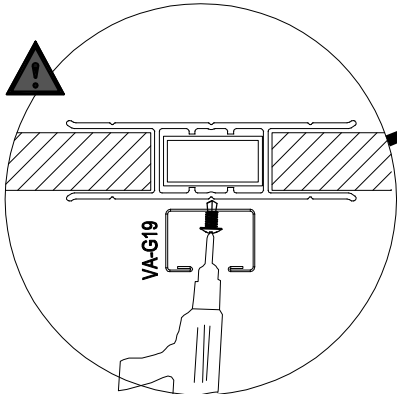
VA-H46 [x8]
13mm









VA-G4

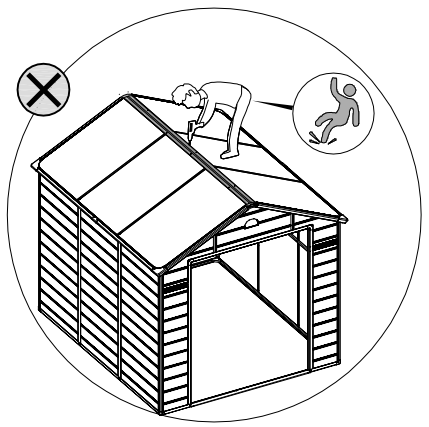
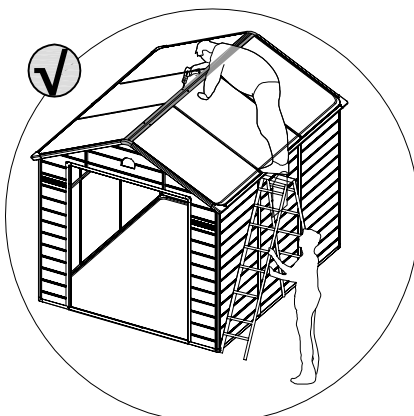
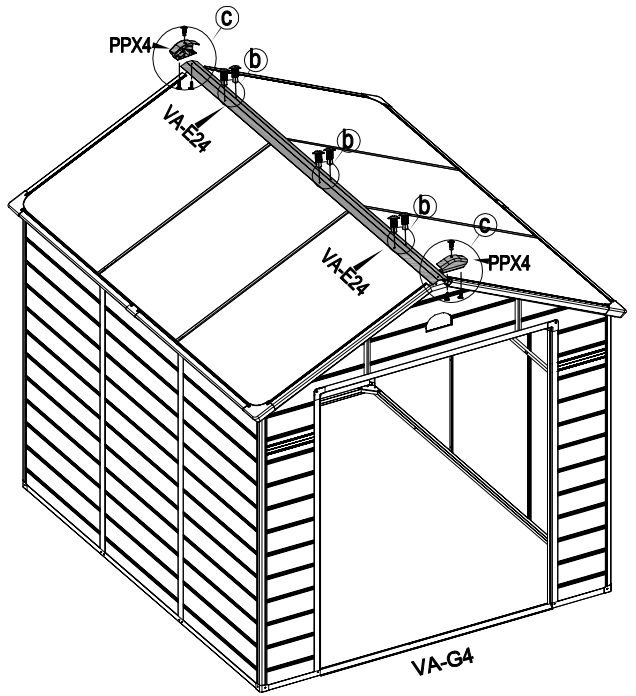
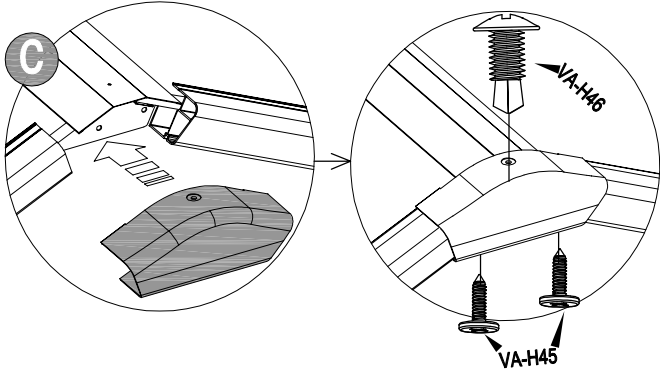
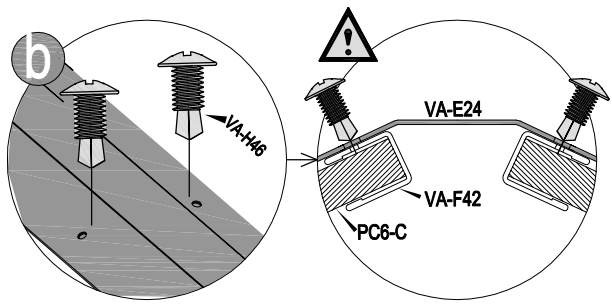
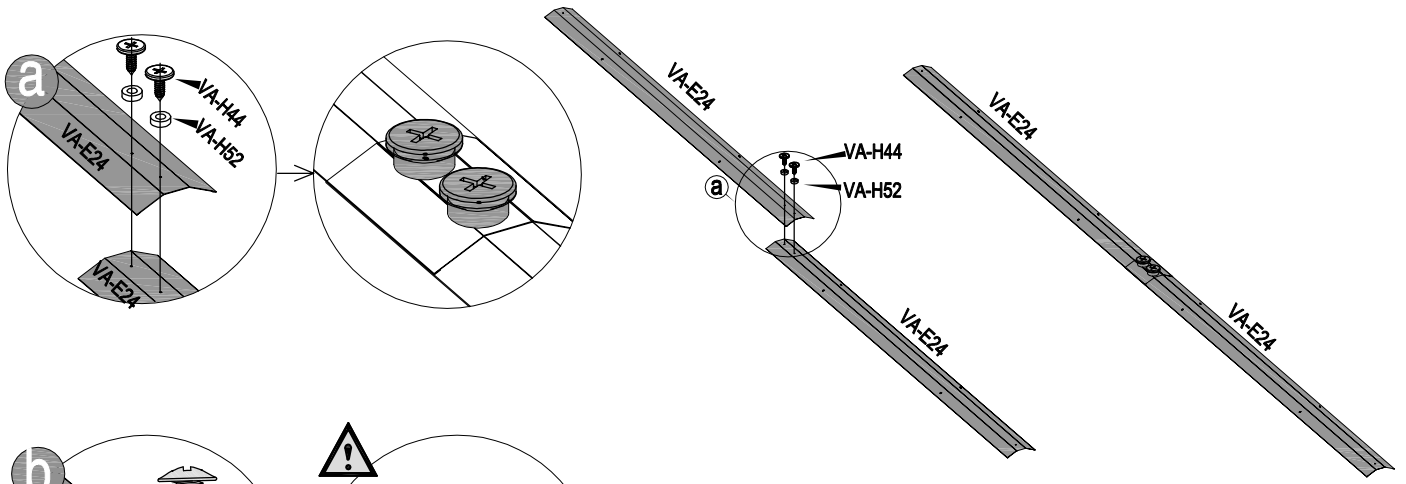


VA-G4

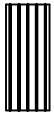


VA-G19

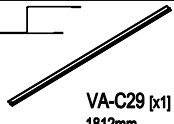
44	 VA-E24 [x2] 1440mm	 PPX4 [x2]	 VA-H44 [x2] 12mm	 VA-H45 [x4] 18mm	 VA-H46 [x8] 12mm	 VA-H52 [x2]	
----	------------------------------------------------------------------------------------------------------------	------------------------------------------------------------------------------------------------	----------------------------------------------------------------------------------------------------------	-----------------------------------------------------------------------------------------------------------	------------------------------------------------------------------------------------------------------------	----------------------------------------------------------------------------------------------------	--



45



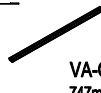
PC7S [x1]
1810x746mm



VA-C29 [x1]
1812mm



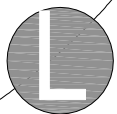
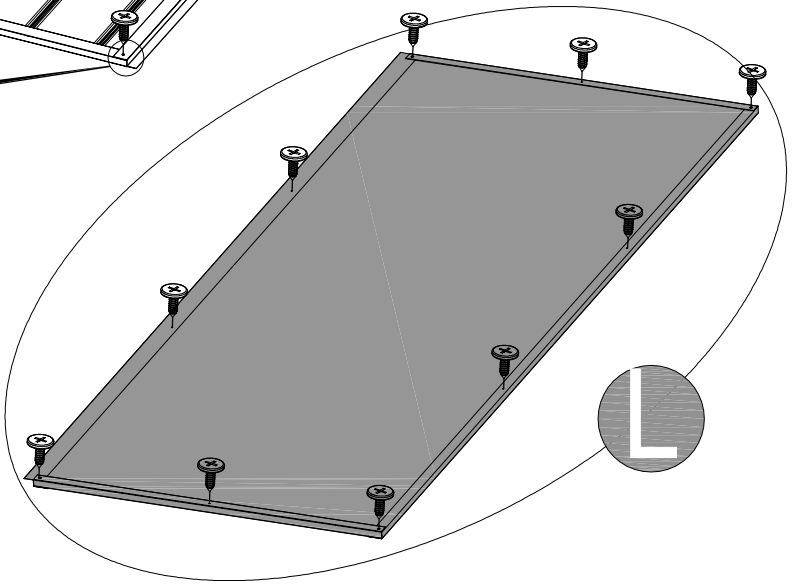
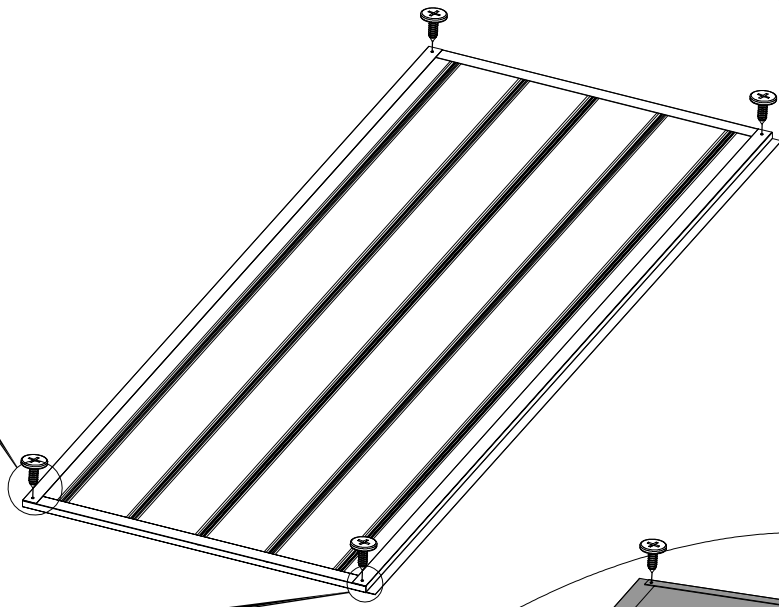
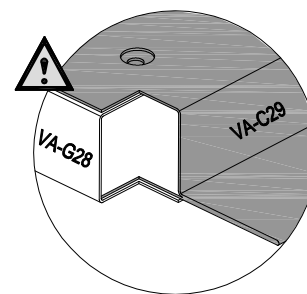
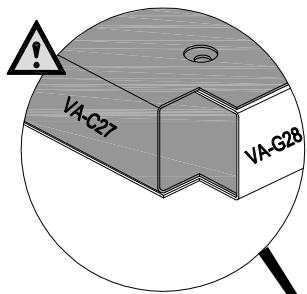
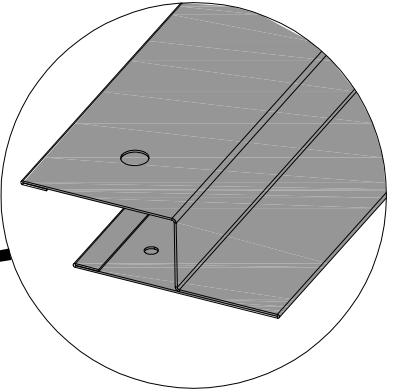
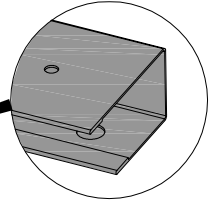
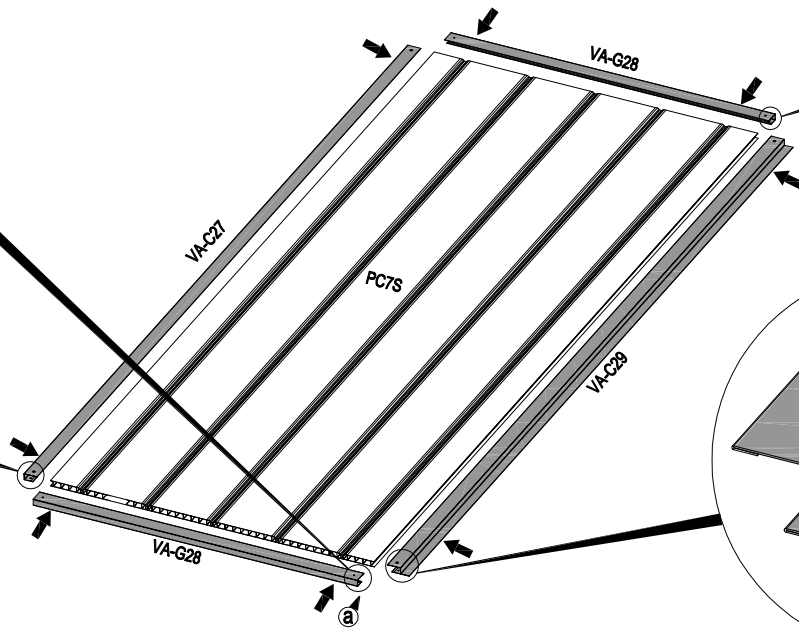
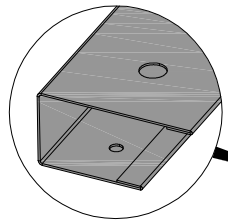
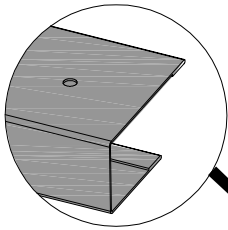
VA-C27 [x1]
1812mm



VA-G28 [x2]
747mm



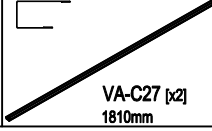
VA-H44 [x14]
13mm



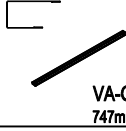
46



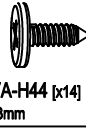
PC7S [x1]
1810x746mm



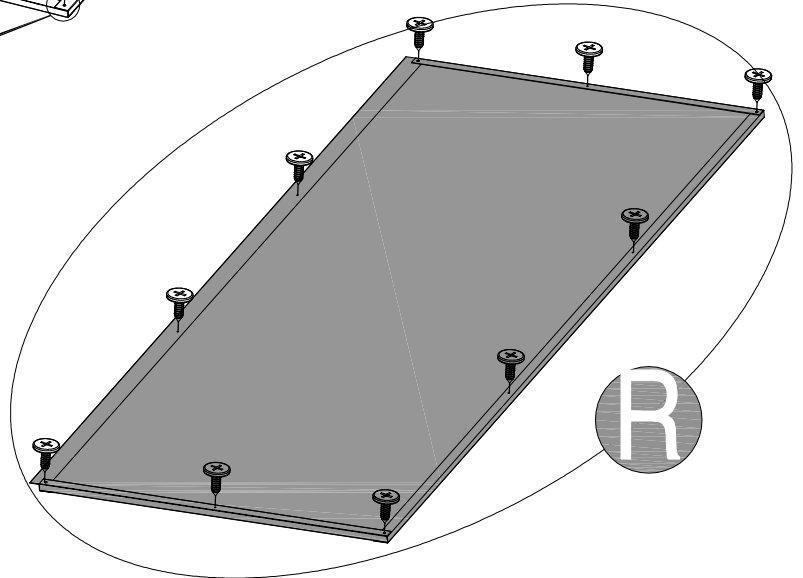
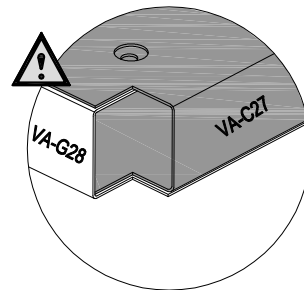
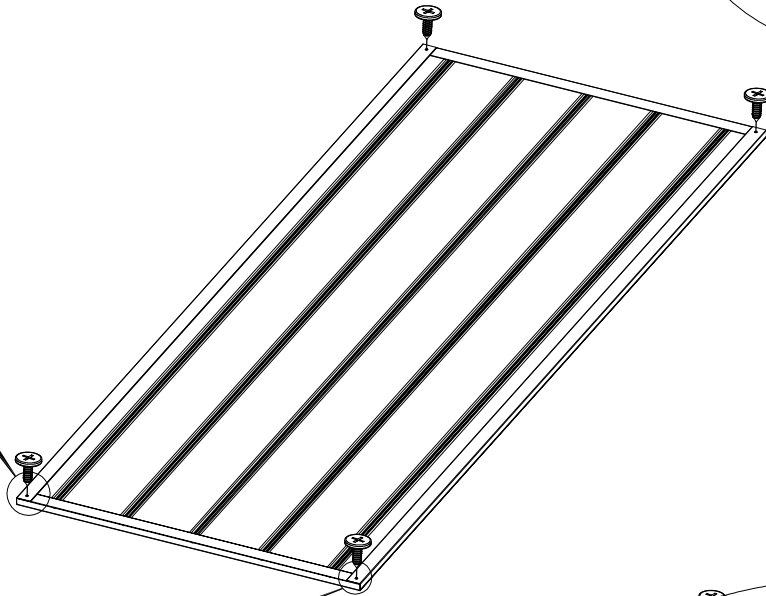
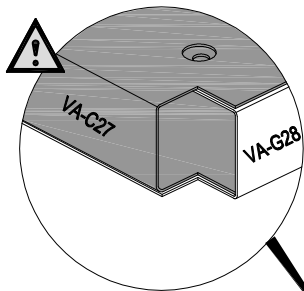
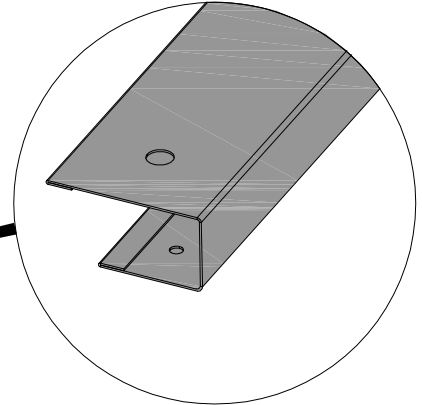
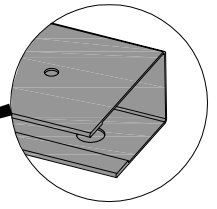
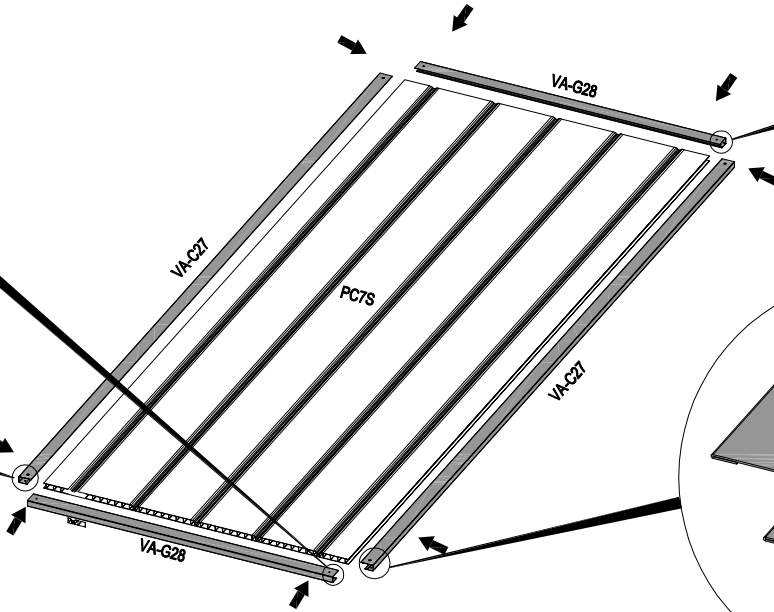
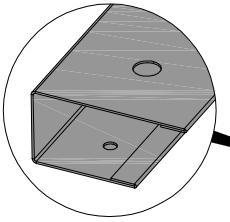
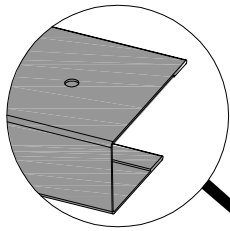
VA-C27 [x2]
1810mm



VA-G28 [x2]
747mm



VA-H44 [x14]
13mm



47



VA-41 [x4]



VA-40 [x1]



PA01 [x3]



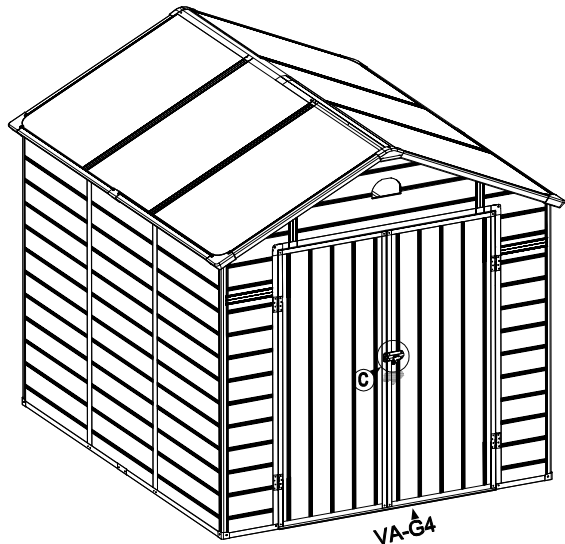
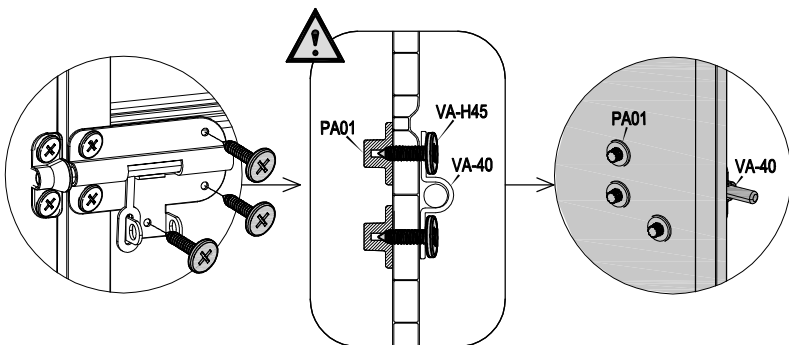
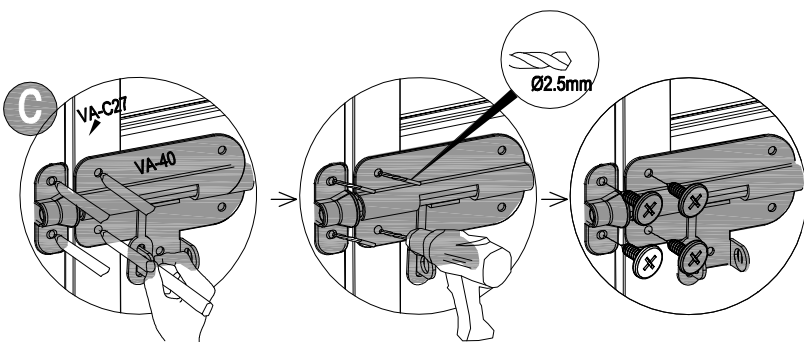
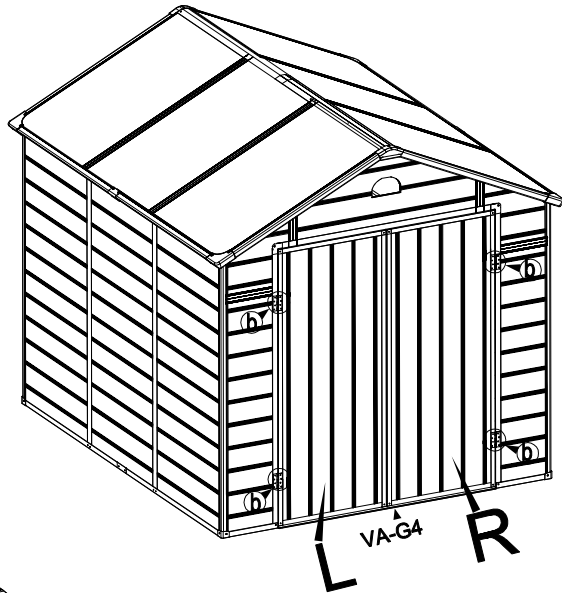
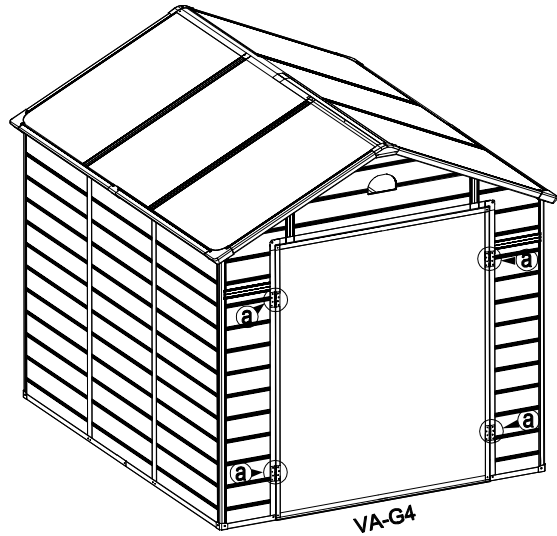
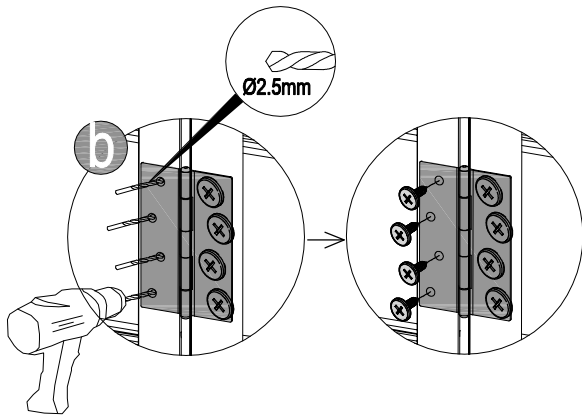
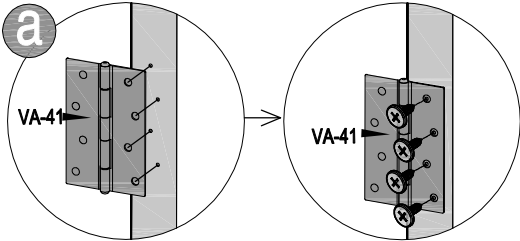
VA-H45 [x3]
19mm



VA-H44 [x36]
13mm



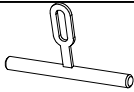
Ø2.5mm



48



VA-38a [x2]



VA-38b [x2]



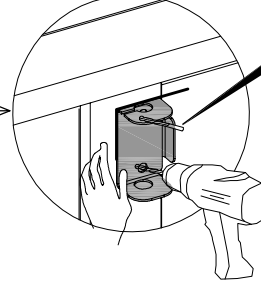
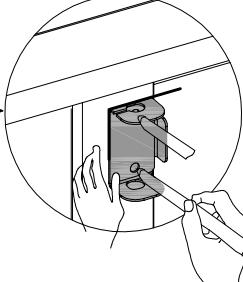
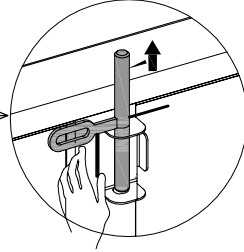
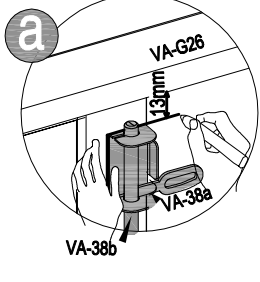
VA-39 [x2]



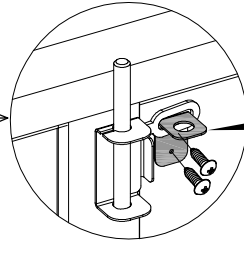
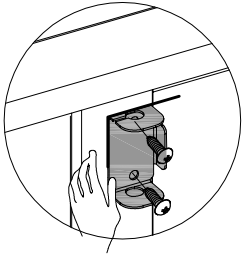
VA-H49 [x8]
13mm



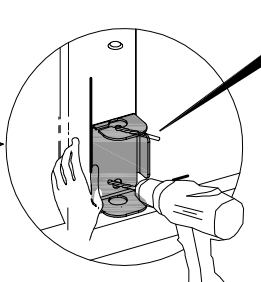
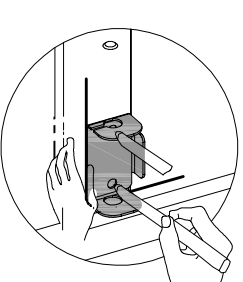
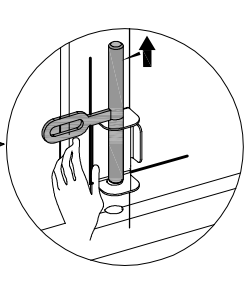
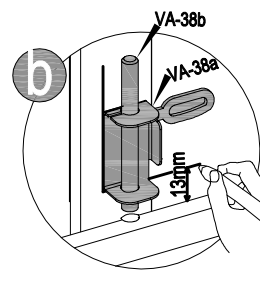
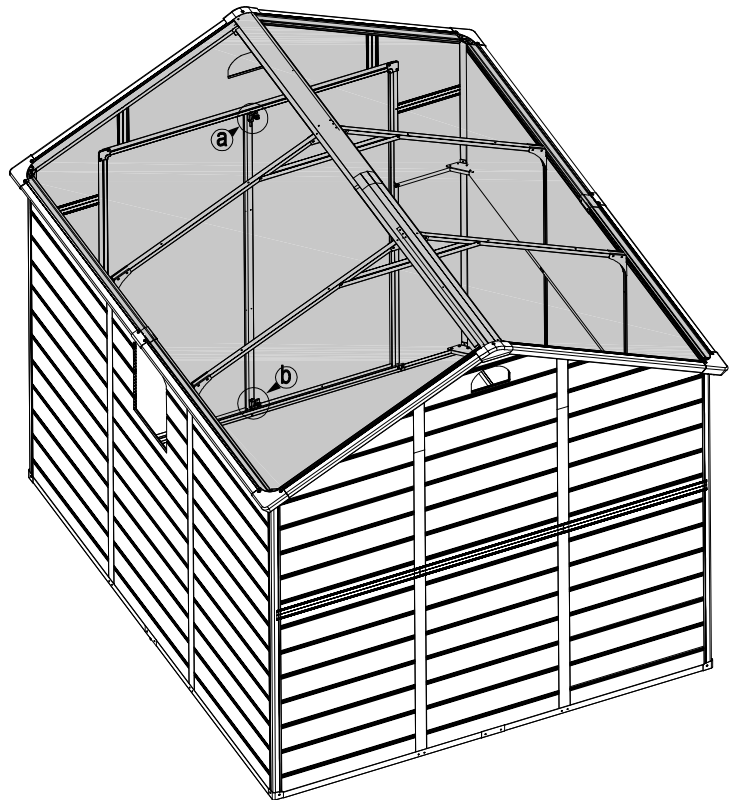
Ø2.5mm



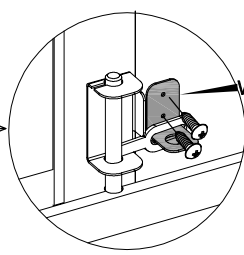
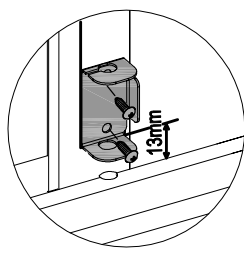
Ø2.5mm



VA-39

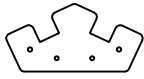


Ø2.5mm



VA-39

49



VA-36 [x2]



VA-32L [x2]



VA-32R [x2]



VA-37 [x6]



VA-H44 [x52]
13mm



VA-H48 [x6]
40mm

